

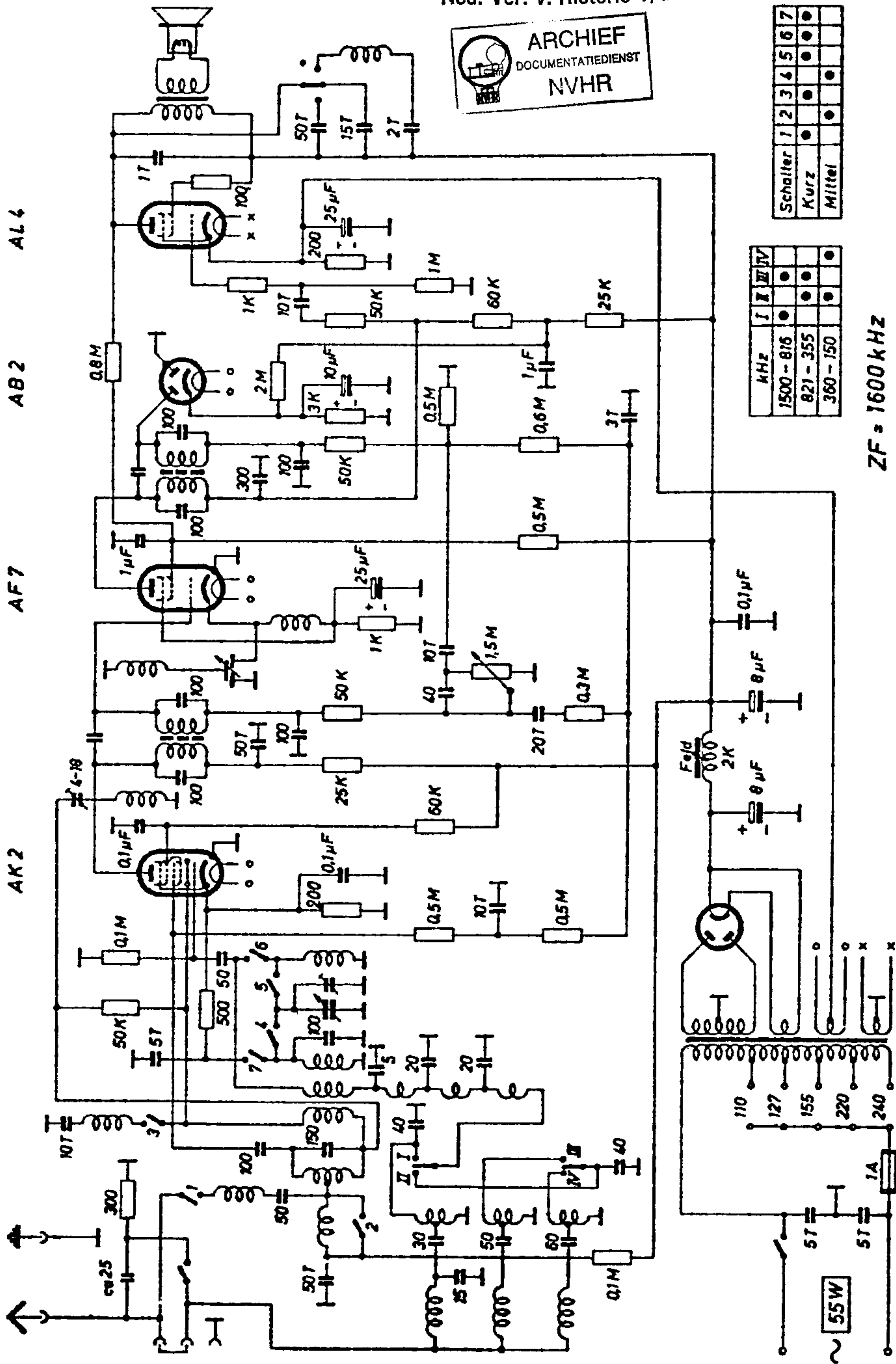
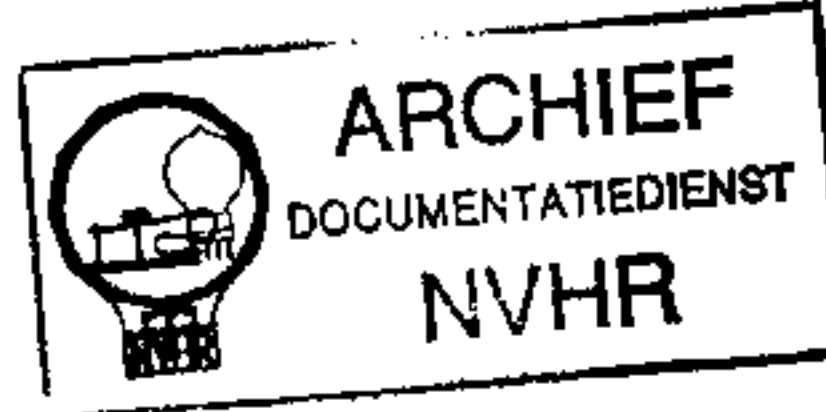
Schaltschema

S 229 W m. KW

SCHAUB
FUNDENDIENST

Compliments of Eckhard Kull

Ned. Ver. v. Historie v/d Radio



| KHz | I | II | III | IV |
|------------|---|----|-----|----|
| 1500 - 815 | ● | ● | ● | ● |
| 821 - 355 | ● | ● | ● | ● |
| 360 - 150 | ● | ● | ● | ● |

| Schalter | 1 | 2 | 3 | 4 | 5 | 6 | 7 |
|----------|---|---|---|---|---|---|---|
| Kurz | ● | ● | ● | ● | ● | ● | ● |
| Mittel | ● | ● | ● | ● | ● | ● | ● |

ZF = 1600 kHz

AZ1