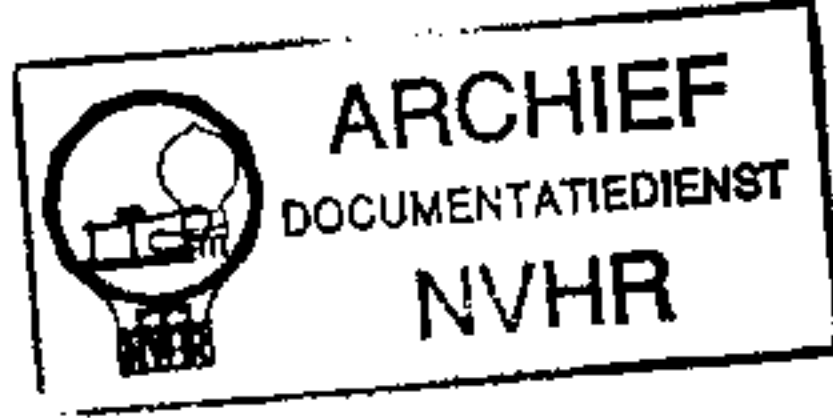


# Braun 100 B Koffersuper

Ned. Ver. v. Historie v/d Radio

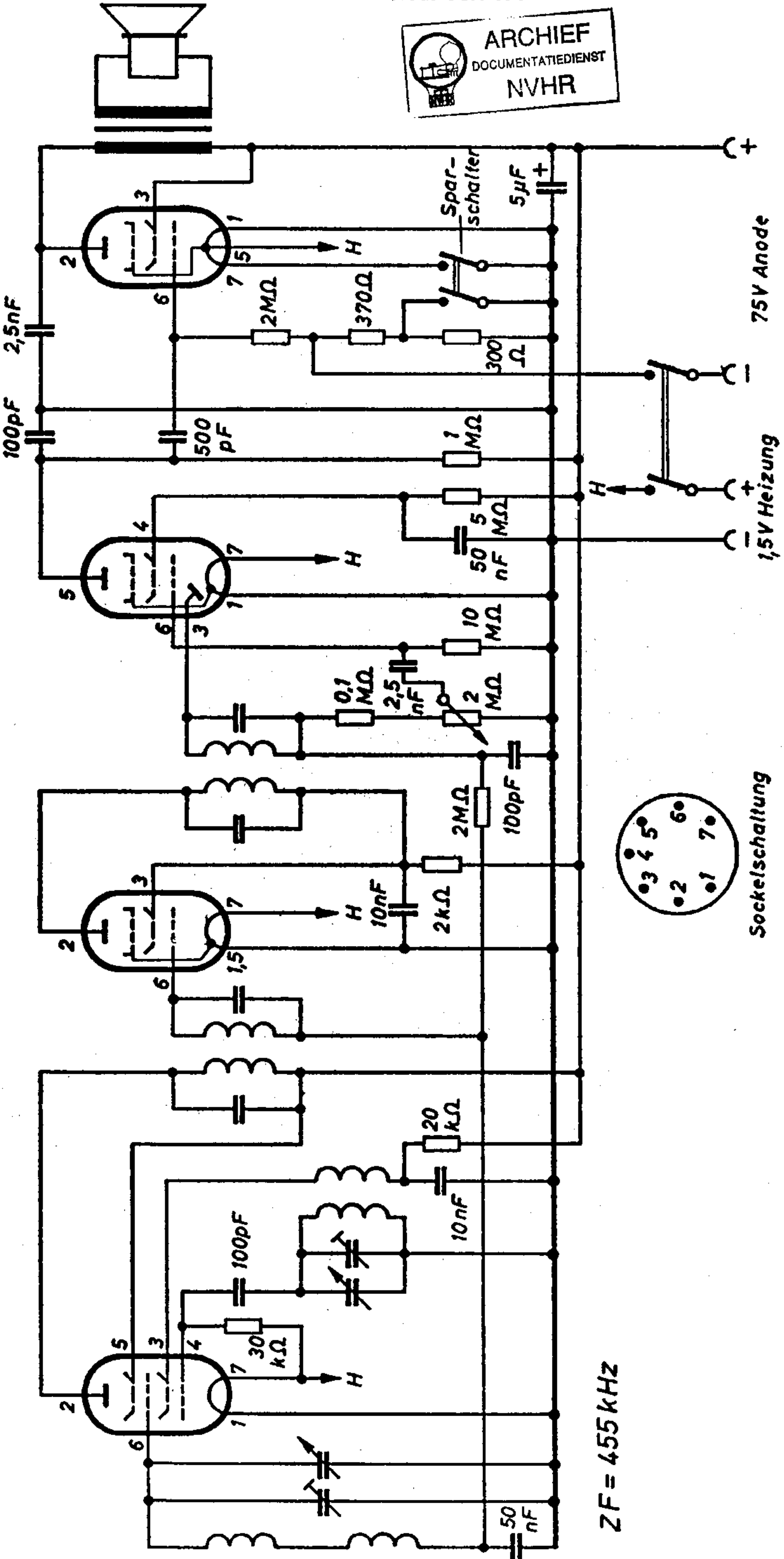


DL94

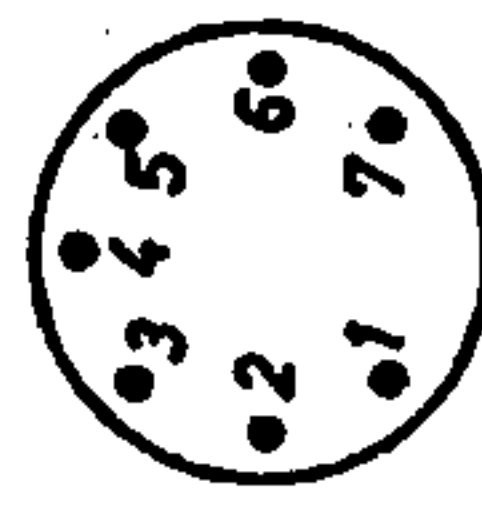
DAF91

DF91

DK92



ZF = 455 kHz



Sockelschaltung