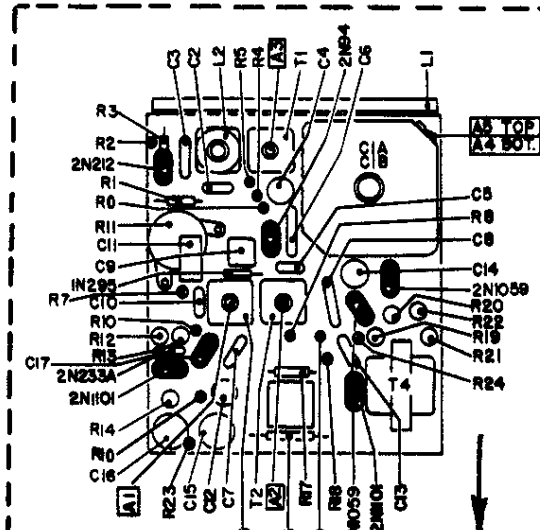
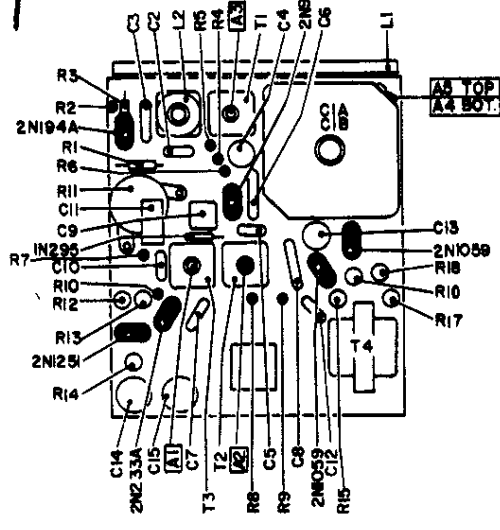
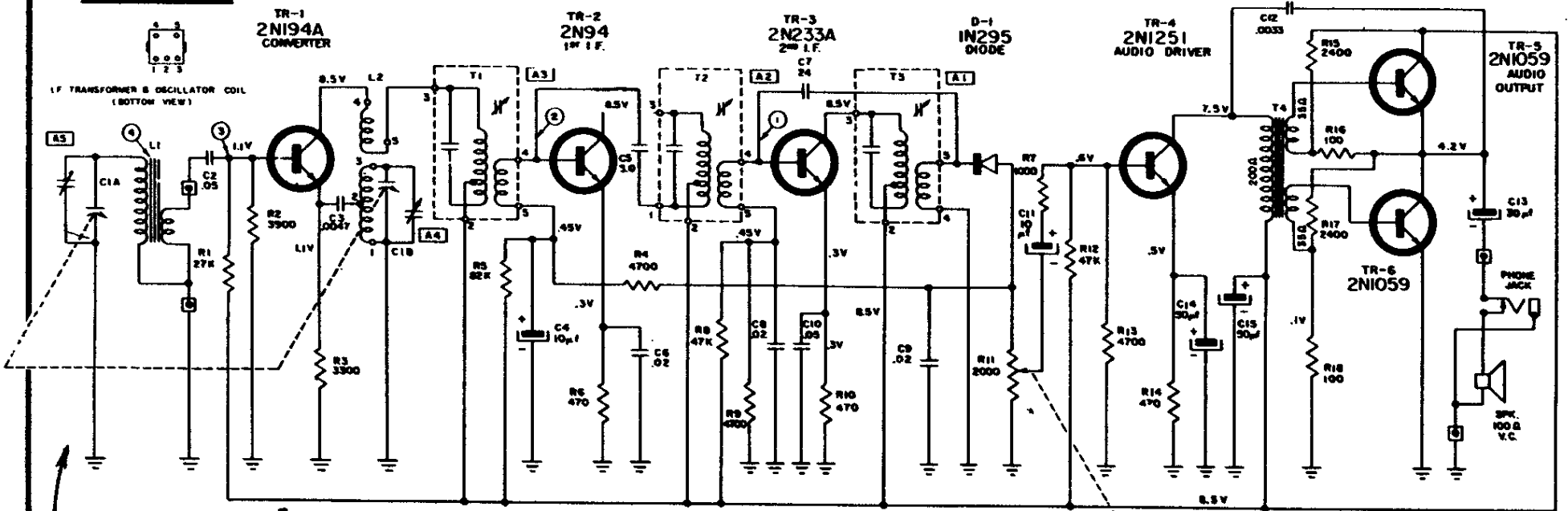




**MODELS 61R13, 61R16, 61R19
61R23, 61R26, 61R29**

CODE 1.61701



SIGNAL TEST POINTS	TEST FREQUENCY	SERIES CAPACITOR TO GENERATOR	INPUT FOR 5 W 50 OUTPUT (1.7V ACROSS 100Ω)
①	455 KC	.05 μf	500 μV
②	455 KC	.05 μf	50 μV
③	455 KC	.05 μf	2 μV
④	1000 KC	STANDARD LOOP	200 μV/M

CAPACITANCE VALUES LESS THAN 1.0 ARE IN MICROFARADS (μf), AND VALUES GREATER THAN 1.0 ARE IN MICRO-MICROFARADS (μμf) EXCEPT WHERE NOTED.

VOLTAGE READINGS TO COMMON GROUND ARE MEASURED WITH VACUUM TUBE VOLTMETER UNDER NO SIGNAL CONDITIONS WITH TUNING CAPACITOR CLOSED AND VOLUME CONTROL AT MAXIMUM COUNTERCLOCKWISE ROTATION.

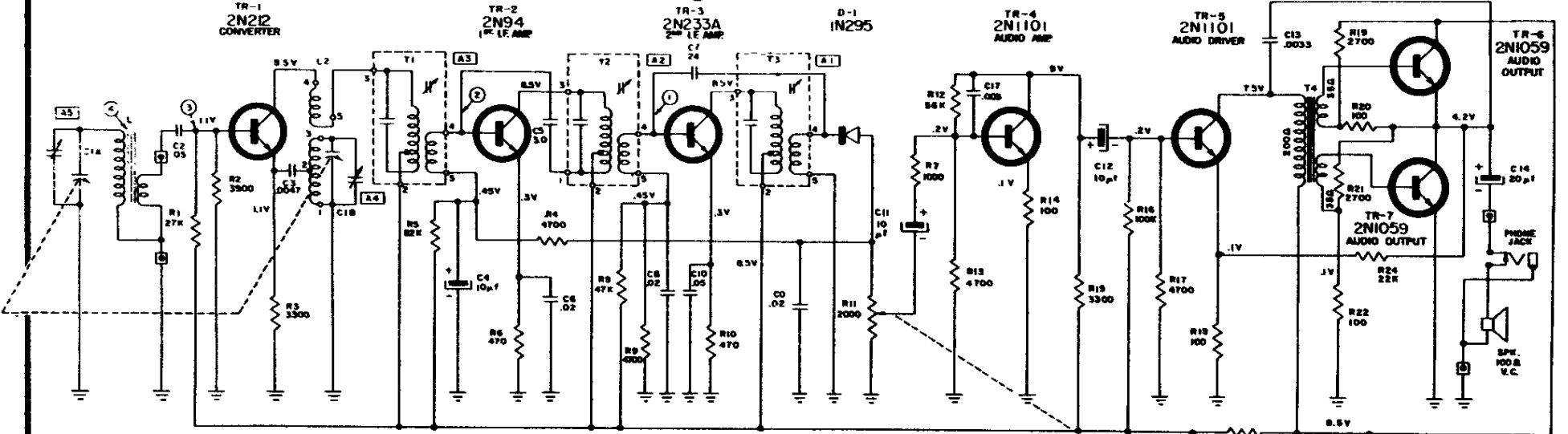
RESISTANCE VALUES ARE IN OHMS: K=1000.

± = COMMON GROUND SYMBOL.

⊞ = EXTERNAL CONNECTION TO PRINTED CIRCUIT.

TOTAL BATTERY CURRENT DRAIN UNDER NO SIGNAL CONDITIONS: 7 TO 10 MA.

**Arvin CODE 1.61601
MODELS 61R35 & 61R39**



Alignment information and all service notes apply to all models listed on this page.

Position of Variable	Generator Frequency	Dummy Antenna	Generator Connections	Trimners Adj. in order shown for Max. Output	Function of Trimmer
Open	455 Kc	.05 μf	C1A	A1 (Top of T3) A2 (Top of T2) A3 (Top of T1)	I. F. I. F. I. F.
Open	1670 Kc		*Test Loop	A4	Oscillator
1400 Kc	1400 Kc		*Test Loop	A5	Antenna
600 Kc	600 Kc		*Test Loop	Check Point	