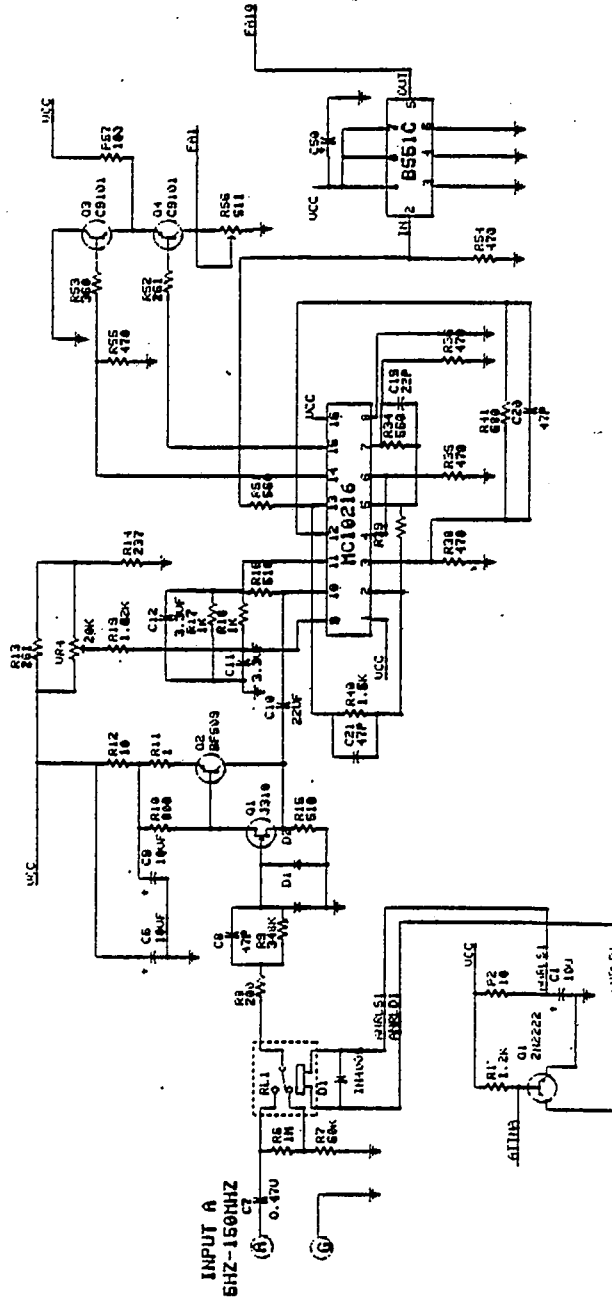


THIS IS ANALOG INPUT CIRCUIT



TITLE	ANALOG INPUT CIRCUIT
MODEL	COMMON
DRAWING NO.	4 OF 6

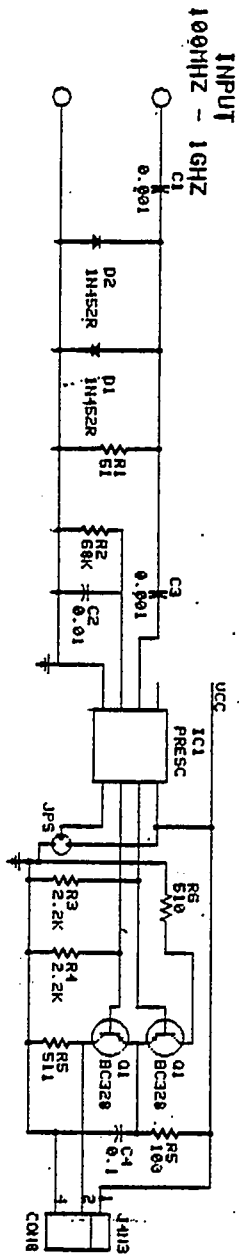
	(09)	(010)	(011)	(012)
(D0)	D90 CH.C	D100 S1	D110 S1	
(D1)	D91 S4	D101 S5/KF7	D111 S5	
(D2)	D92 ca/5	D102 S7	D112 S14	
(D3)	D93 1SEC	D103 uSEC	D113 S11	
(D4)	D94 0.1SEC	D104 Hz	D114 S13	
(D5)	D95 CH.B	D105 S2	D115 S9	
(D6)	D96 CH.A	D106 MHz	D116 S10	
(D7)	D97 10SEC	D107 KHz	D117 S12	D127 S3

TITLE	SWITCH LED CIRCUIT	
MODEL	COMMON	
DRAWING NO.	3 OF 6	

## MATERIAL PARTS LIST

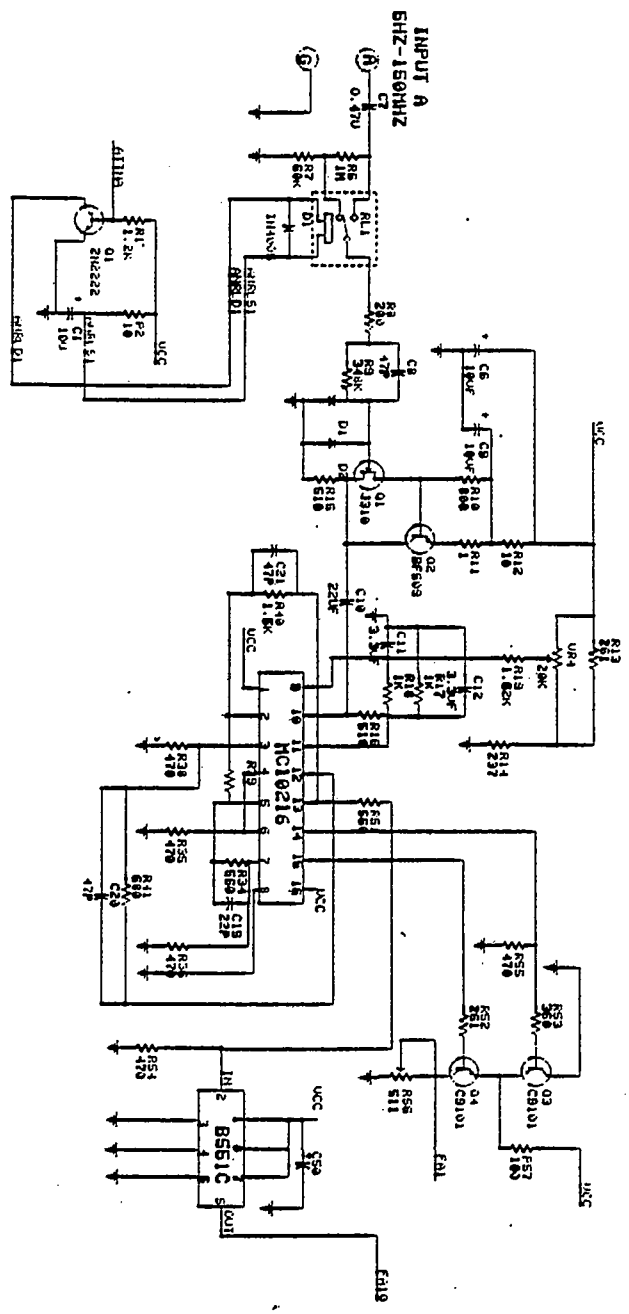
No.	PART NAME	DESCRIPTION	UNIT	QTY	REMARK
51	RESISTOR(ANALOG)	15K 1/4W CLASS J	EA	2	4(UC1300)
52	RESISTOR(ANALOG)	860 1/4W CLASS J	EA	1	2(UC1300)
53	RESISTOR(ANALOG)	360 1/4W CLASS J	EA	1	2(UC1300)
54	RESISTOR(PRE)	22K 1/4W CLASS J	EA	2	EXCEPT 125
55	RESISTOR(PRE)	51 1/4W CLASS J	EA	2	EXCEPT 125
56	RESISTOR(PRE)	100 1/4W CLASS J	EA	1	EXCEPT 125
57	RESISTOR(PRE)	510 1/4W CLASS J	EA	1	EXCEPT 125
58	RESISTOR(PRE)	511K 1/4W CLASS J	EA	1	EXCEPT 125
59	RESISTOR(OSC)	1M 1/4W CLASS J	EA	1	
60	RESISTOR(OSC)	22K 1/4W CLASS J	EA	1	
61	RESISTOR(OSC)	1 1/4W CLASS J	EA	1	
62	RESISTOR(TOP)	33 1/2W CLASS J	EA	8	
63	CAPACITOR(MAIN)	2200 uF/25V E.C.	EA	2	
64	CAPACITOR(MAIN)	47 uF/50V E.C.	EA	7	
65	CAPACITOR(MAIN)	104 MONOLITIC	EA	4	
66	CAPACITOR(ANA)	22 pF/50V CERAMIC	EA	1	2(UC1300)
67	CAPACITOR(ANA)	47 pF/50V CERAMIC	EA	2	4(UC1300)
68	CAPACITOR(ANA)	220 pF/50V CERAMIC	EA	1	2(UC1300)
69	CAPACITOR(ANA)	47 pF/16V TANTAL	EA	1	2(UC1300)
70	CAPACITOR(ANA)	474 /250V METAL	EA	1	2(UC1300)
71	CAPACITOR(ANA)	0.1 50V METAL	EA	3	6(UC1300)
72	CAPACITOR(ANA)	3.3 uF/50V E.C.	EA	4	8(UC1300)
73	CAPACITOR(ANA)	47 uF/50V E.C.	EA	2	4(UC1300)
74	CAPACITOR(OSC)	35 pF SEMI-CAP	EA	2	4(UC1300)
75	CAPACITOR(OSC)	20 pF MICA	EA	2	4(UC1300)
76	CAPACITOR(PRE)	102 CERAMIC	EA	2	EXCEPT 125
77	CAPACITOR(PRE)	103 CERAMIC	EA	1	EXCEPT 125
78	CAPACITOR(PRE)	104 METAL	EA	1	EXCEPT 125
79	CAPACITOR(PRE)	3.3 /25V E.C.	EA	1	EXCEPT 125
80	P.C.B (MAIN)	205x150	EA	1	
81	P.C.B(ANA)	50x100	EA	1	2(UC1300)
82	P.C.B(PRE)	50x20	EA	1	EXCEPT 125
83	P.C.B(OSC)	35x40	EA	1	
84	P.C.B(TOP)	210x65	EA	1	
85	P.C.B(TACHO)	x	EA	1	1300T
86	LED		EA	1	1300T
87	PHOTO COUPLER		EA	1	1300T
88	IC	CA3160E	EA	1	1300T
89	TRANSISTOR	2N2222	EA	1	1300T
90	RESISTOR	100	EA	2	1300T
91	RESISTOR	1K	EA	1	1300T
92	RESISTOR	2K	EA	1	1300T
93	RESISTOR	2.2K	EA	1	1300T
94	RESISTOR	4.7K	EA	1	1300T
95	RESISTOR	2.4K	EA	1	1300T
96	RESISTOR	100K	EA	5	1300T
97	RESISTOR	1M	EA	1	1300T
98	CAPACITOR	2.2 pF/16V TANTAL	EA	1	1300T
99	CAPACITOR	100 uF/10V E.C.	EA	1	1300T
100	CAPACITOR	103 CERAMIC	EA	4	1300T

No.	PART NAME	DESCRIPTION	UNIT	QTY	REMARK
1	CPU	80C51	EA	1	
2	LSI	GSG6028	EA	1	
3	IC	UDN2981A	EA	1	
4	IC	7805	EA	1	
5	IC	7806	EA	1	
6	IC	MC10216P	EA	1	2(UC1300)
7	IC	B551C	EA	1	2(UC1300)
8	IC	U666B	EA	1	EXCEPT 125
9	IC	74LS138	EA	2	
10	TRANSISTOR	TIP32	EA	1	
11	TRANSISTOR	2N2222	EA	2	
12	TRANSISTOR	BF509	EA	1	2(UC1300)
13	TRANSISTOR	C9015	EA	2	4(UC1300)
14	TRANSISTOR	BC327	EA	2	EXCEPT 125
15	TRANSISTOR	TIP31C	EA	1	
16	TRANSISTOR	2N2907	EA	12	
17	TRANSISTOR	J310	EA	1	2(UC1300)
18	DIODE	IN4004	EA	2	
19	DIODE(ANA)	IN4148	EA	3	6(UC1300)
20	DIODE(PRE)	IN4148	EA	2	EXCEPT 125
21	DIODE(TOP)	IN4148	EA	7	
22	LED	7 SEGMENT 200PKF	EA	8	
23	LED	RED SQUARE TYPE	EA	5	6(UC1300) 4(FC125)
24	LED	RED ROUND TYPE	EA	4	6(1300T)
25	THEMISTOR	1K	EA	1	
26	V.R.	25K	EA	1	2(UC1300)
27	CRYSTAL	100MHz 20ppm	EA	1	
28	RELAY	RY-5	EA	1	
29	SWITCH	TOUCH TYPE	EA	9	12(UC1300)
30	SWITCH	PUSH TYPE	EA	1	
31	RESISTOR(MAIN)	4.7K 1/4W CLASS J	EA	3	
32	RESISTOR(MAIN)	470 1/4W CLASS J	EA	2	
33	RESISTOR(MAIN)	1 1/4W CLASS J	EA	3	
34	RESISTOR(MAIN)	8.2K 1/4W CLASS J	EA	1	
35	RESISTOR(MAIN)	511K 1/4W CLASS J	EA	1	
36	RESISTOR(ANALOG)	1M 1/2W CLASS D	EA	1	2(UC1300)
37	RESISTOR(ANALOG)	350K 1/2W CLASS D	EA	1	2(UC1300)
38	RESISTOR(ANALOG)	50K 1/4W CLASS D	EA	1	2(UC1300)
39	RESISTOR(ANALOG)	800 1/4W CLASS D	EA	1	2(UC1300)
40	RESISTOR(ANALOG)	1.62K 1/4 CLASS D	EA	1	2(UC1300)
41	RESISTOR(ANALOG)	261 1/4W CLASS D	EA	2	4(UC1300)
42	RESISTOR(ANALOG)	237 1/4W CLASS D	EA	1	2(UC1300)
43	RESISTOR(ANALOG)	1K 1/4W CLASS J	EA	4	8(UC1300)
44	RESISTOR(ANALOG)	1 1/4W CLASS J	EA	1	2(UC1300)
45	RESISTOR(ANALOG)	10 1/4W CLASS J	EA	1	2(UC1300)
46	RESISTOR(ANALOG)	51 1/4W CLASS J	EA	1	2(UC1300)
47	RESISTOR(ANALOG)	510 1/4W CLASS J	EA	1	2(UC1300)
48	RESISTOR(ANALOG)	560 1/4W CLASS J	EA	2	4(UC1300)
49	RESISTOR(ANALOG)	470 1/4W CLASS J	EA	6	12(UC1300)
50	RESISTOR(ANALOG)	100 1/4W CLASS J	EA	1	2(UC1300)

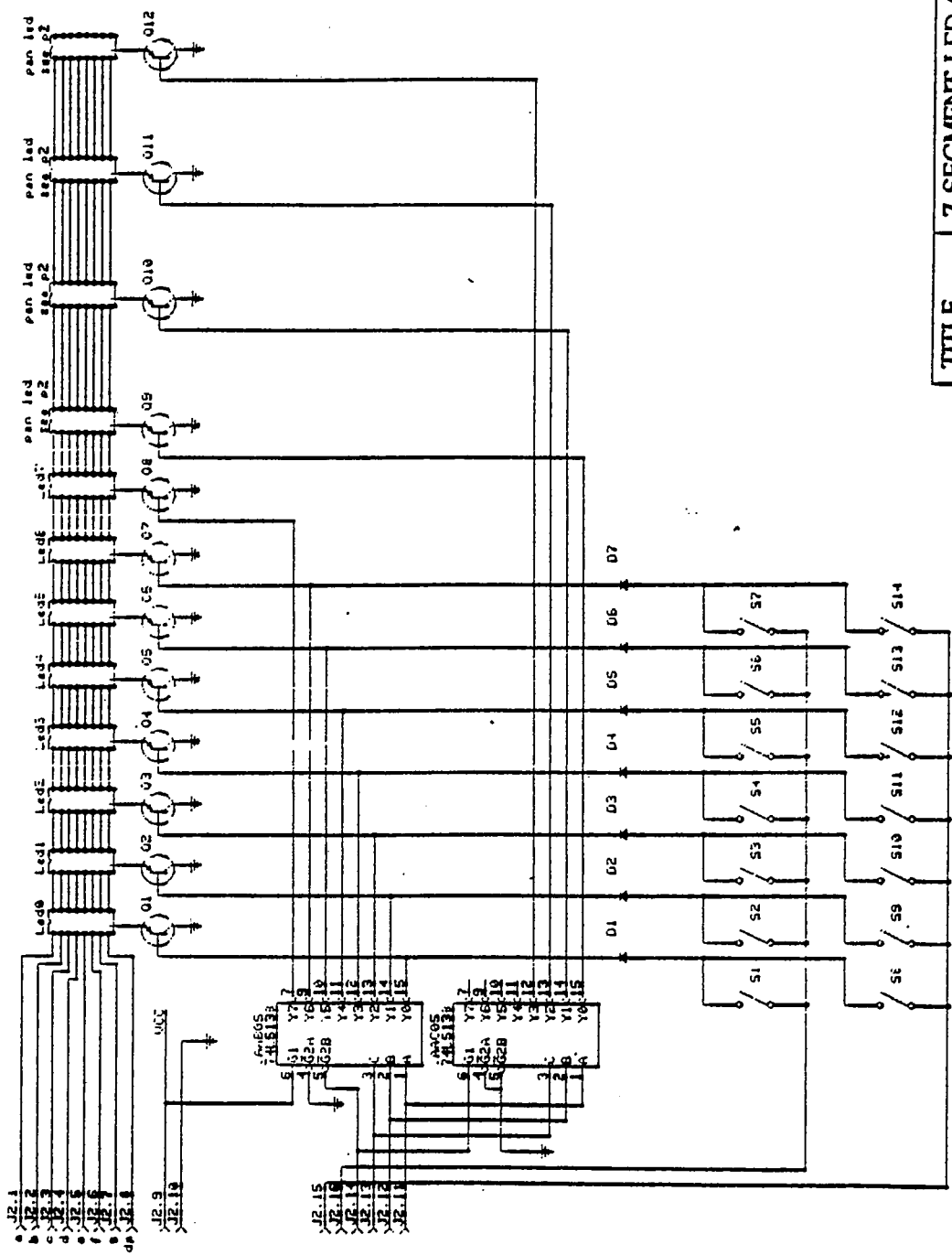


TITLE	PRESCALER CIRCUIT
MODEL	COMMON
DRAWING NO.	5 OF 6

THIS IS ANALOG INPUT CIRCUIT

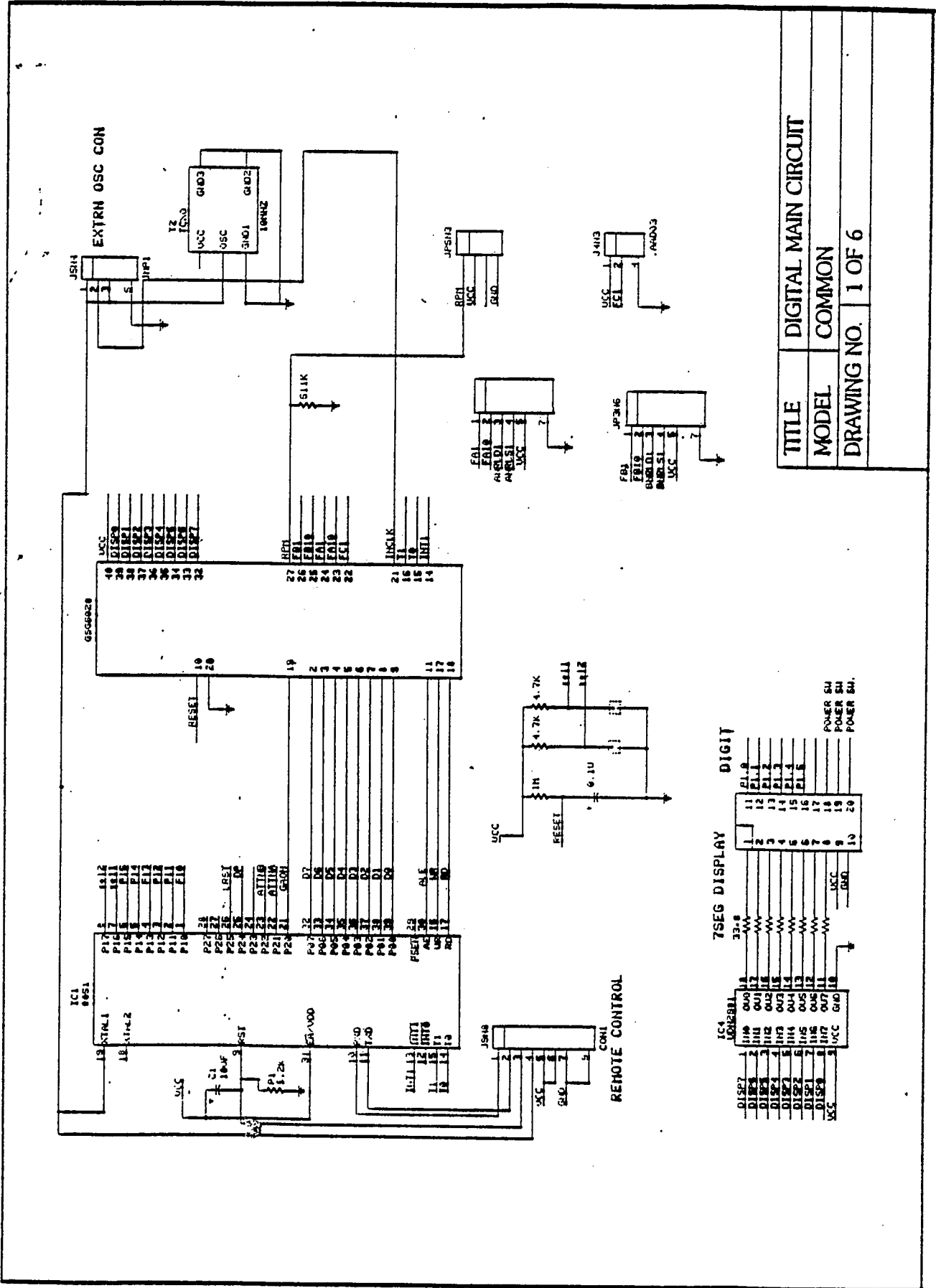


TITLE	ANALOG INPUT CIRCUIT
MODEL	COMMON
DRAWING NO.	4 OF 6



TITLE	7 SEGMENT LED CIRCUIT
MODEL	COMMON
DRAWING NO.	2 OF 6

RFC-1300



TITLE	DIGITAL MAIN CIRCUIT
MODEL	COMMON
DRAWING NO.	1 OF 6