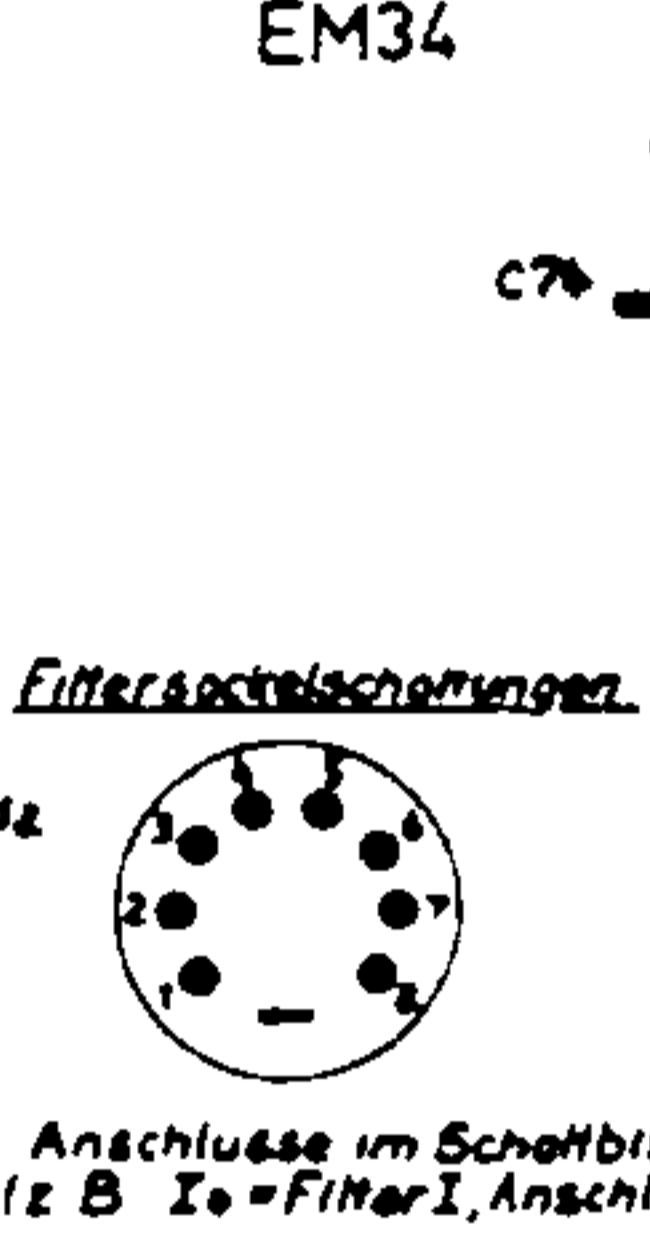
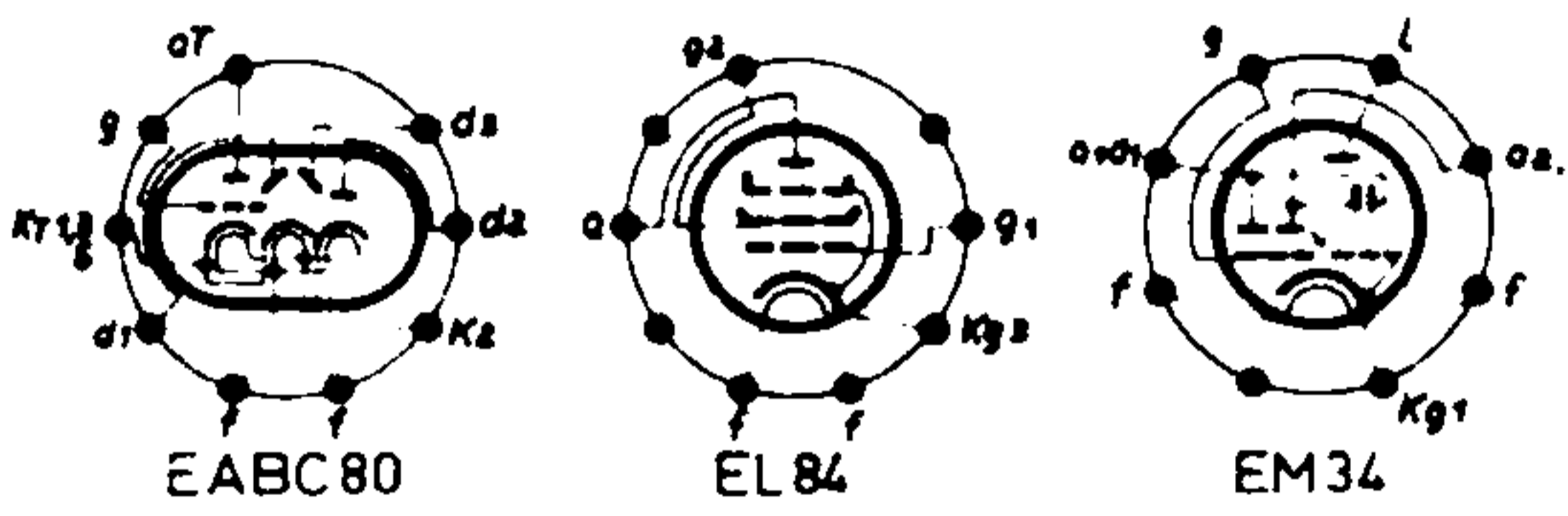
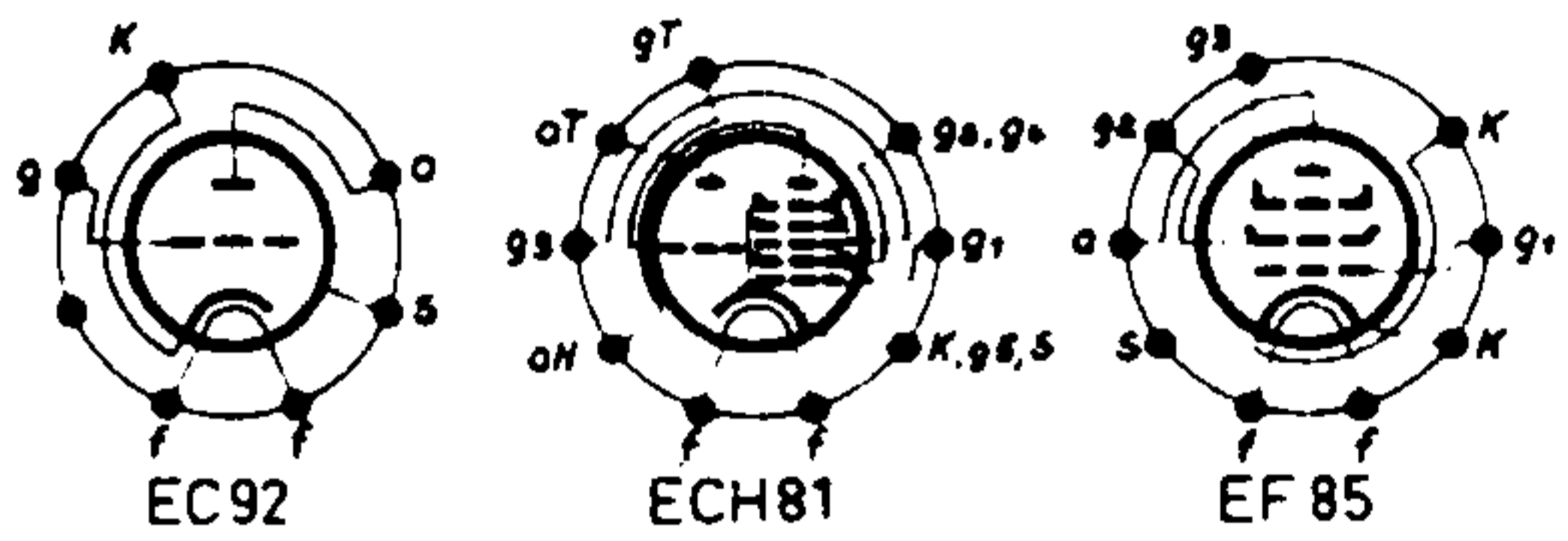
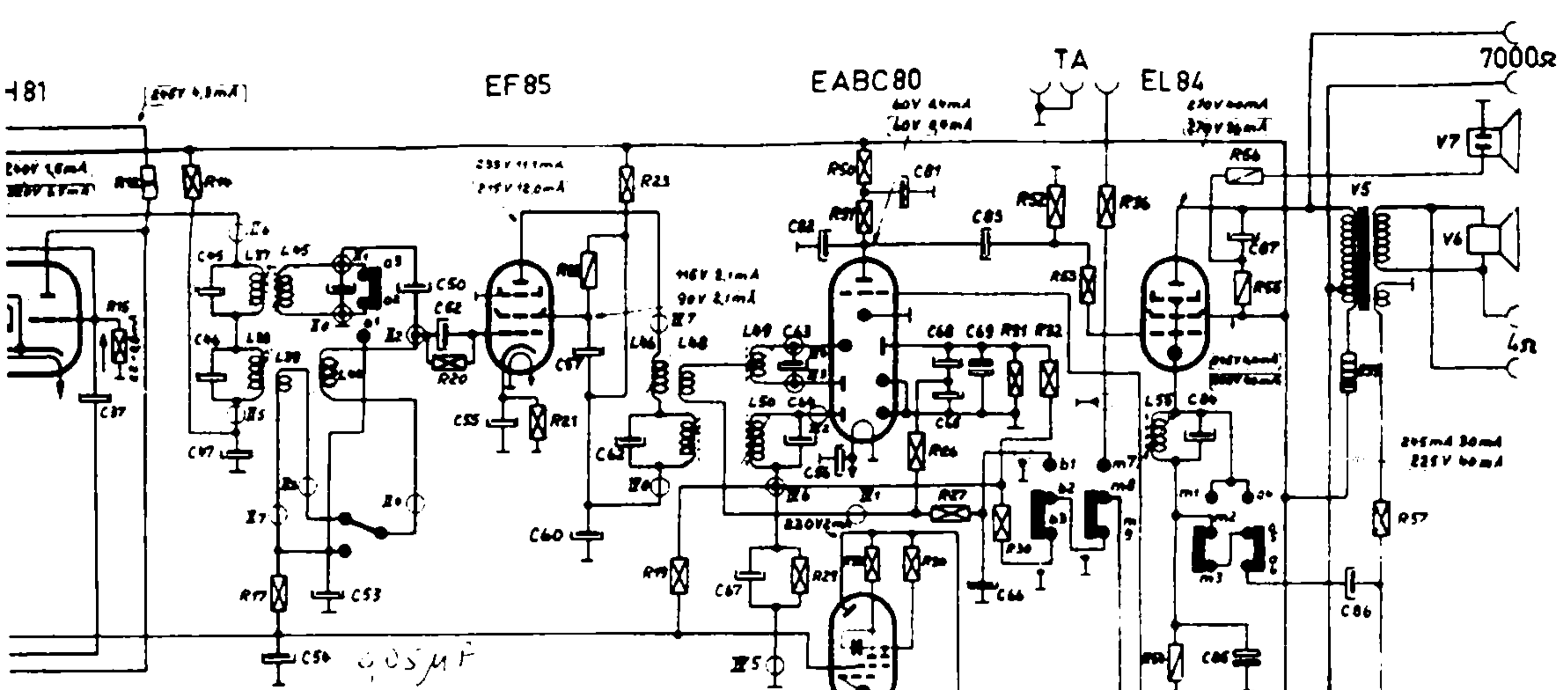


	1	2	3	4	5	6	7	8	9	10	11	12	13	14	15	16	17	18	19	20	21	22	23	24	25	26	27	28	29	
C	100pF	100pF	100pF	100pF	100pF	100pF	100pF	100pF	100pF	100pF	100pF	100pF	100pF	100pF	100pF	100pF	100pF	100pF	100pF	100pF	100pF	100pF	100pF	100pF	100pF	100pF	100pF	100pF	100pF	
R	100k	100k	100k	100k	100k	100k	100k	100k	100k	100k	100k	100k	100k	100k	100k	100k	100k	100k	100k	100k	100k	100k	100k	100k	100k	100k	100k	100k	100k	100k
L	100pH	100pH	100pH	100pH	100pH	100pH	100pH	100pH	100pH	100pH	100pH	100pH	100pH	100pH	100pH	100pH	100pH	100pH	100pH	100pH	100pH	100pH	100pH	100pH	100pH	100pH	100pH	100pH	100pH	100pH
	46	47	48	49	50	51	52	53	54	55	56	57	58	59	60	61	62	63	64	65	66	67	68	69	70	71	72	73	74	
C	100pF				100pF	100pF	100pF	100pF	100pF	100pF	100pF	100pF	100pF	100pF	100pF	100pF	100pF	100pF	100pF	100pF	100pF	100pF	100pF	100pF	100pF	100pF	100pF	100pF	100pF	
R	100k				100k	100k	100k	100k	100k	100k	100k	100k	100k	100k	100k	100k	100k	100k	100k	100k	100k	100k	100k	100k	100k	100k	100k	100k	100k	
L	100pH	100pH	100pH	100pH	100pH					100pH																				

Bei Kondensatoren: T-Trolitul bzw Styrofler, K-Keramik, P-Papier



24	25	26	27	28	29	30	31	32	33	34	35	36	37	38	39	40	41	42	43	44	45	
250V	250V	250V	250V	250V	250V	250V	250V	250V	250V	250V	250V	250V	250V	250V	250V	250V	250V	250V	250V	250V	250V	
24	25	26	27	28	29	30	31	32	33	34	35	36	37	38	39	40	41	42	43	44	45	
250V	250V	250V	250V	250V	250V	250V	250V	250V	250V	250V	250V	250V	250V	250V	250V	250V	250V	250V	250V	250V	250V	

Spannungen und Ströme bei AM bei FM
 Spannungen gemessen mit Instrument 1000Ω/V im Maßbereich 500V

NORDMENDE

Fidelio