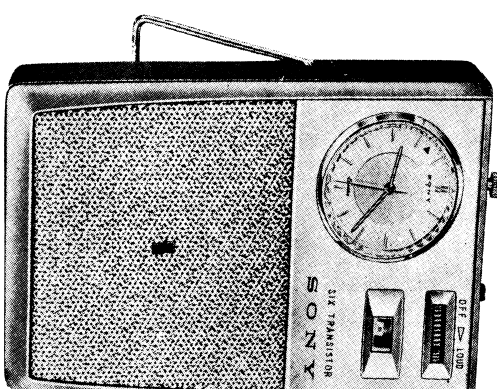
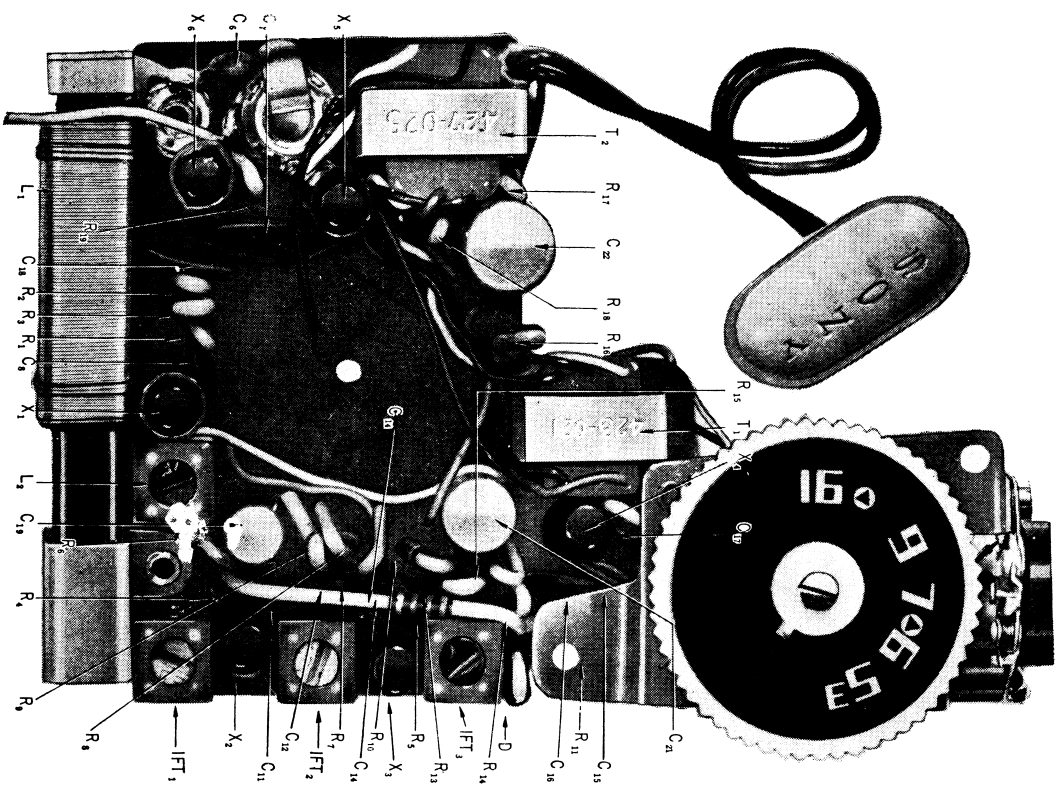


SONY

SERVICING GUIDE

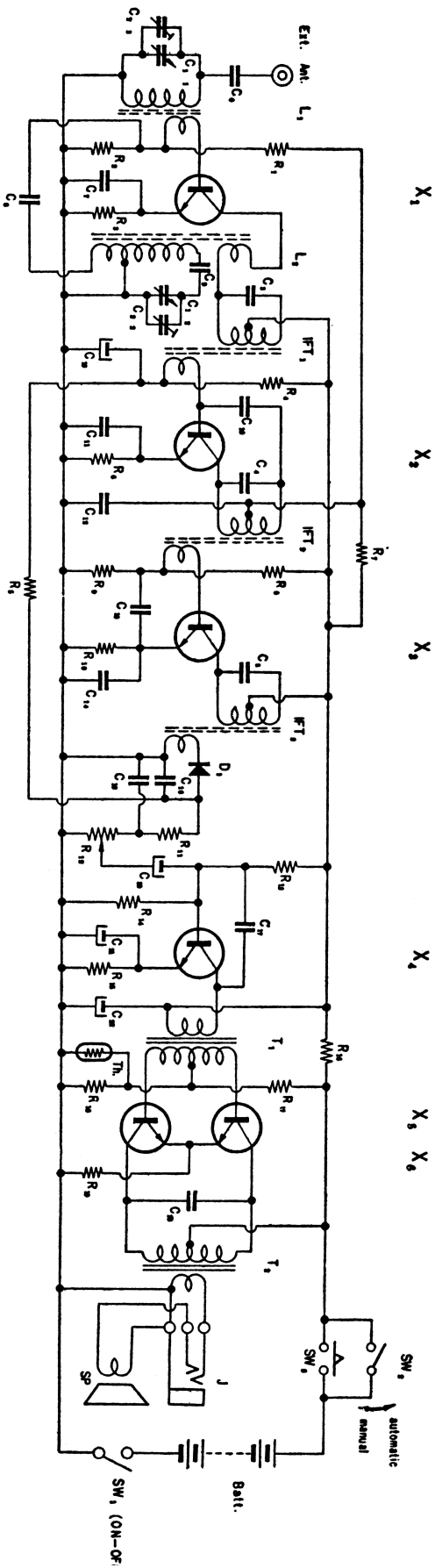
Mounting of TRW-621



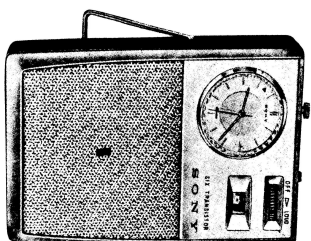
TRW-621

Specifications for TRW-621

Circuit	: 6 transistor superheterodyne with time switch
Frequency coverage	: 535~1605 kc
IF frequency	: 455 kc
Antenna system	: Ferrite bar antenna with external aerial jack
Sensitivity	: 200 μ V/m with ferrite bar antenna (10 mW output) 4 μ V/m with external aerial
Selectivity	: 13 db at 10 °c of from 1400 kc
Output power	: 120 mW (undistorted), 0.98 volt across 8 Ω load
Speaker	: 2½" PM dynamic, 8 Ω
Battery	: Eveready 216 or BL-006P or equivalent (9 volts)
Current drain	: 6 mA at zero signal, 30 mA at 120 mW output
Dimensions	: 4½" × 2½" × 1¾"
Weight	: 9 ounces
Color	: Black, Coral & gray, Gray & light gray



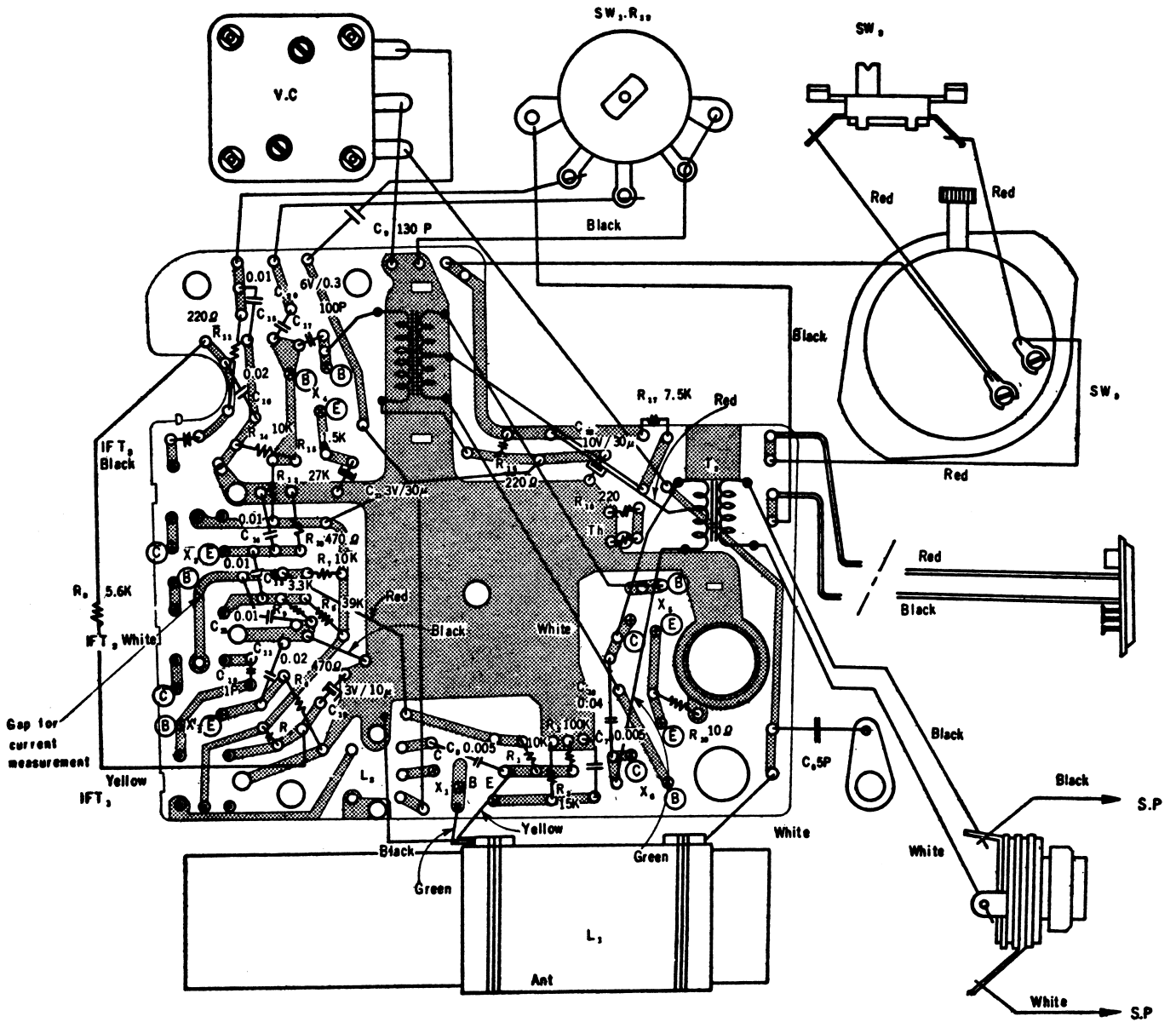
L ₁	Ferrite bar antenna	R ₁	10 kΩ	C ₁	Tuning condenser
L ₂	Oscillator coil	R ₂	100 kΩ	C ₂	Trimmer condenser
IFT ₁	IFT	R ₃	15 kΩ	C ₃	150 PF built in IFT ₁
IFT ₂	"	R ₄	150 kΩ	C ₄	150 PF " " IFT ₂
IFT ₃	"	R ₅	5.6 kΩ	C ₅	150 PF " " IFT ₃
T ₁	Driver transformer	R ₆	470 Ω	C ₆	5 PF Ceramic
T ₂	Output transformer	R ₇	10 kΩ	C ₇	0.005 μF Mylar
J	Earphone jack	R ₈	39 kΩ	C ₈	0.005 μF "
SP	Speaker, 8 Ω	R ₉	470 Ω	C ₉	130 PF styrol
SW ₁	Power switch	R ₁₀	220 Ω	C ₁₀	1 PF ceramic
SW ₂	Automatic/manual switch	R ₁₁	220 Ω	C ₁₁	0.02 μF "
SW ₃	Time switch (built in the watch)	R ₁₂	Potentiometer 5 kΩ	C ₁₂	0.01 μF "
X ₁	2SC-73	R ₁₃	27 kΩ	C ₁₃	0.01 μF "
X ₂	2SC-76	R ₁₄	10 kΩ	C ₁₄	0.01 μF "
X ₃	2SC-76	R ₁₅	1.5 kΩ	C ₁₅	0.01 μF "
X ₄	2SD-64	R ₁₆	220 Ω	C ₁₆	0.02 μF "
X ₅ , X ₆	2SD-65	R ₁₇	7.5 kΩ	C ₁₇	100 PF styrol
D ₁	1T23G	R ₁₈	220 Ω	C ₁₈	0.04 μF ceramic
T _h	S-250	R ₁₉	10 Ω	C ₁₉	10 μF 3V electrolytic
				C ₂₀	0.3 μF 6V " (Alox)
				C ₂₁	30 μF 3V electrolytic
				C ₂₂	30 μF 10V electrolytic



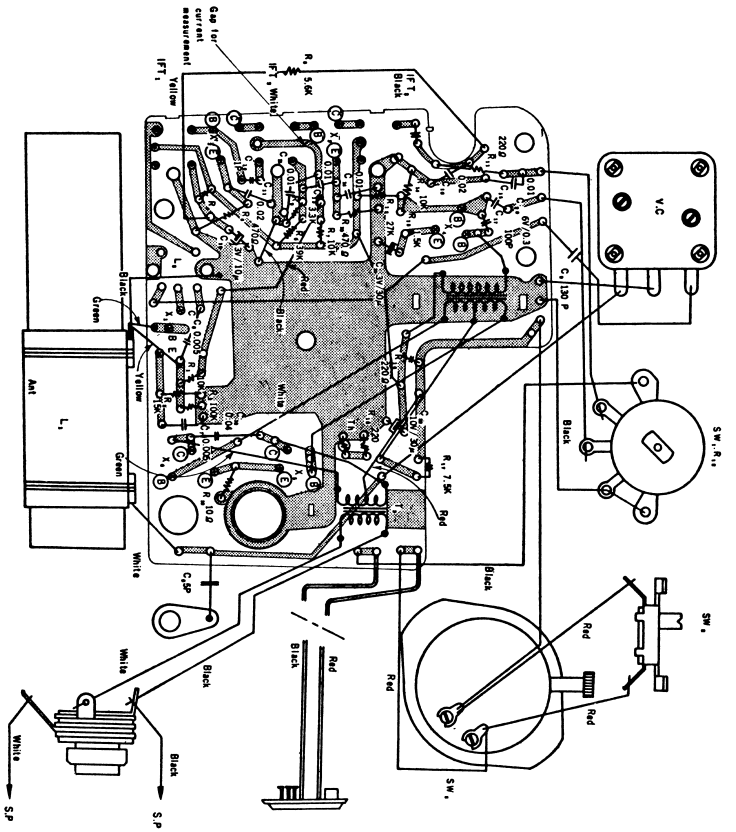
※ To be adjusted

S20a

Mounting diagram



SONY TRW-621



Electronic parts list

L ₁	Ferrite bar antenna	R ₁	10 kΩ	C ₁	Tuning condenser
L ₂	Oscillator coil	R ₂	100 kΩ	C ₂	Trimmers
IFT ₁	IFT	R ₃	15 kΩ	C ₃	150 PF built in IFT
IFT ₂	"	R ₄	150 kΩ	C ₄	"
IFT ₃	"	R ₅	5.6 kΩ	C ₅	"
T ₁	Interstage transformer	R ₆	470 Ω	C ₆	5 PF
T ₂	Output transformer	R ₇	10 kΩ	C ₇	0.005 μF ceramic
J	Earphone jack	R ₈	39 kΩ	C ₈	0.005 μF "
SP	Speaker, 8 Ω	R ₉	3.3 kΩ	C ₉	130 PF styrol
SW ₁	Power switch	R ₁₀	470 Ω	C ₁₀	1 PF ceramic
SW ₂	Automatic/manual switch	R ₁₁	220 Ω	C ₁₁	0.02 μF "
SW ₃	Time switch (built in the watch)	R ₁₂	Potentiometer 5 kΩ	C ₁₂	0.01 μF "
X ₁	2SC-73	R ₁₃	27 kΩ	C ₁₃	0.01 μF "
X ₂	2SC-76	R ₁₄	10 kΩ	C ₁₄	0.01 μF "
X ₃	2SC-76	R ₁₅	1.5 kΩ	C ₁₅	0.01 μF "
X ₄	2SD-64	R ₁₆	220 Ω	C ₁₆	0.02 μF "
X ₅ , X ₆	2SD-65	R ₁₇	7.5 kΩ	C ₁₇	100 PF styrol
D ₁	1T23G	R ₁₈	220 Ω	C ₁₈	0.04 μF ceramic
TH	S-250	R ₁₉	10 Ω	C ₁₉	10 μF 3 V electrolytic
				C ₂₀	0.3 μF
				C ₂₁	30 μF 3 V electrolytic
				C ₂₂	30 μF 10 V electrolytic

Schematic diagram for TRW-621

