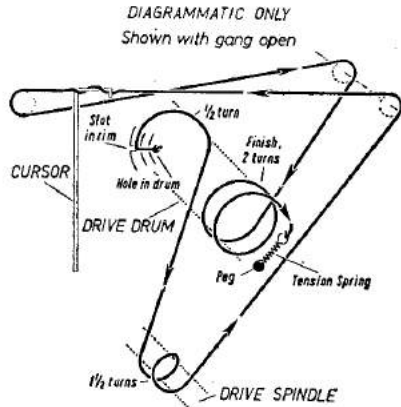
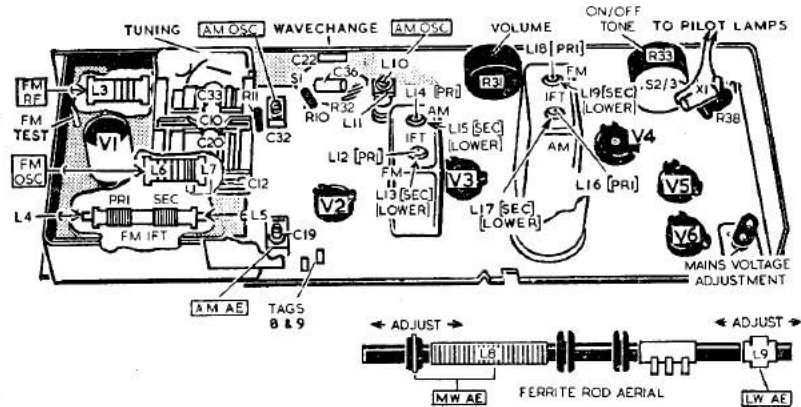


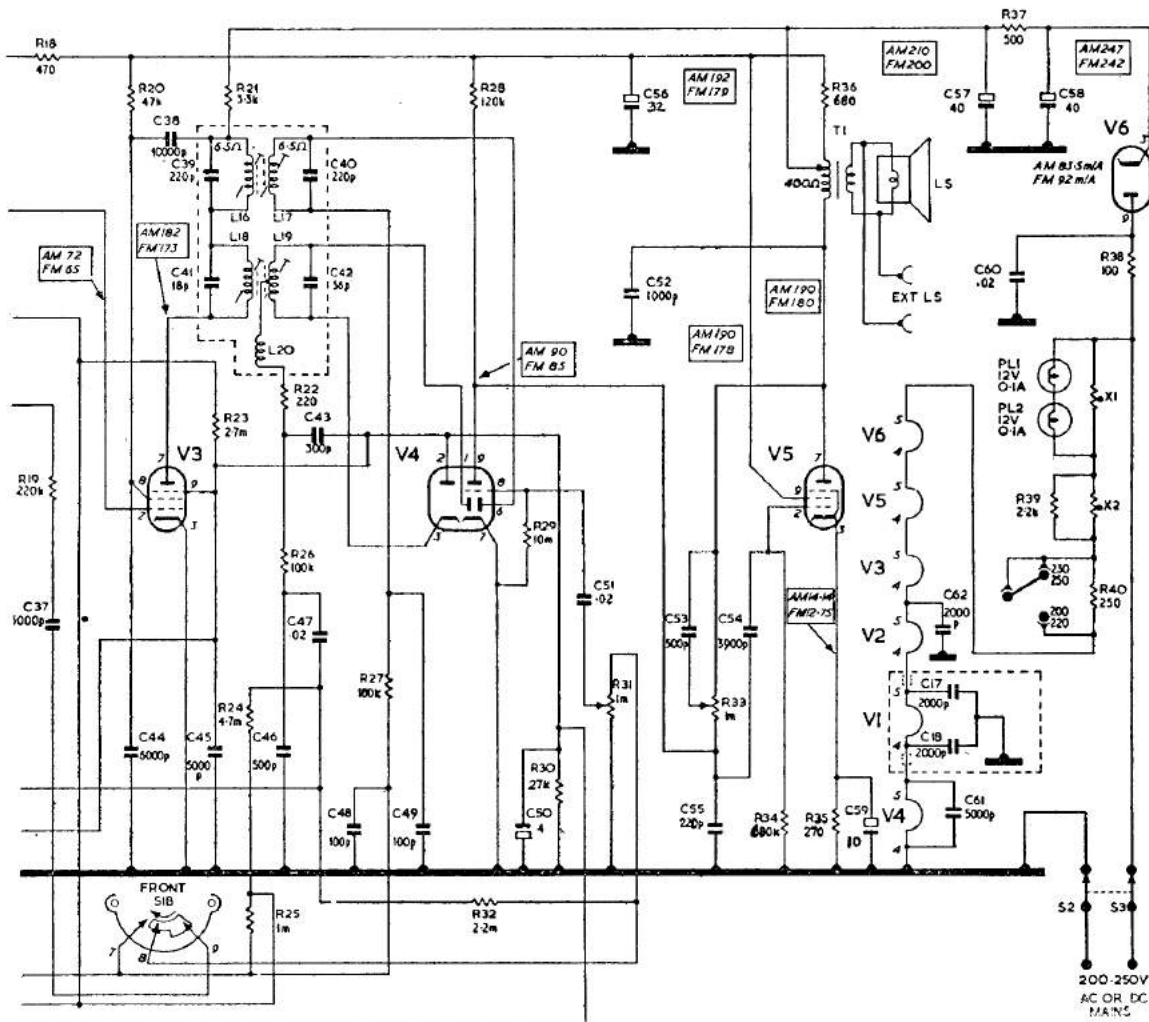
Note: C36 may be 270 pF. or 285 pF. to compensate for gang. In earlier models (Schedule A) C59 was 50 μ F. X1, X2 are Varite V1010. R40 is 250 ohms (5%, 3 W.), R38 is 100 ohms (5%, 3 W.).



DRIVE-CORD ASSEMBLY
(Approximately 60 in. of nylon braided cord required.)



REAR VIEW OF MAIN CHASSIS
(Schedules A and B models).



WAVECHANGE SWITCHES SHOWN IN FM POSITION SWITCHES VIEWED FROM REAR

MARCONIPHONE MODEL T69DA (SCHEDULE B).