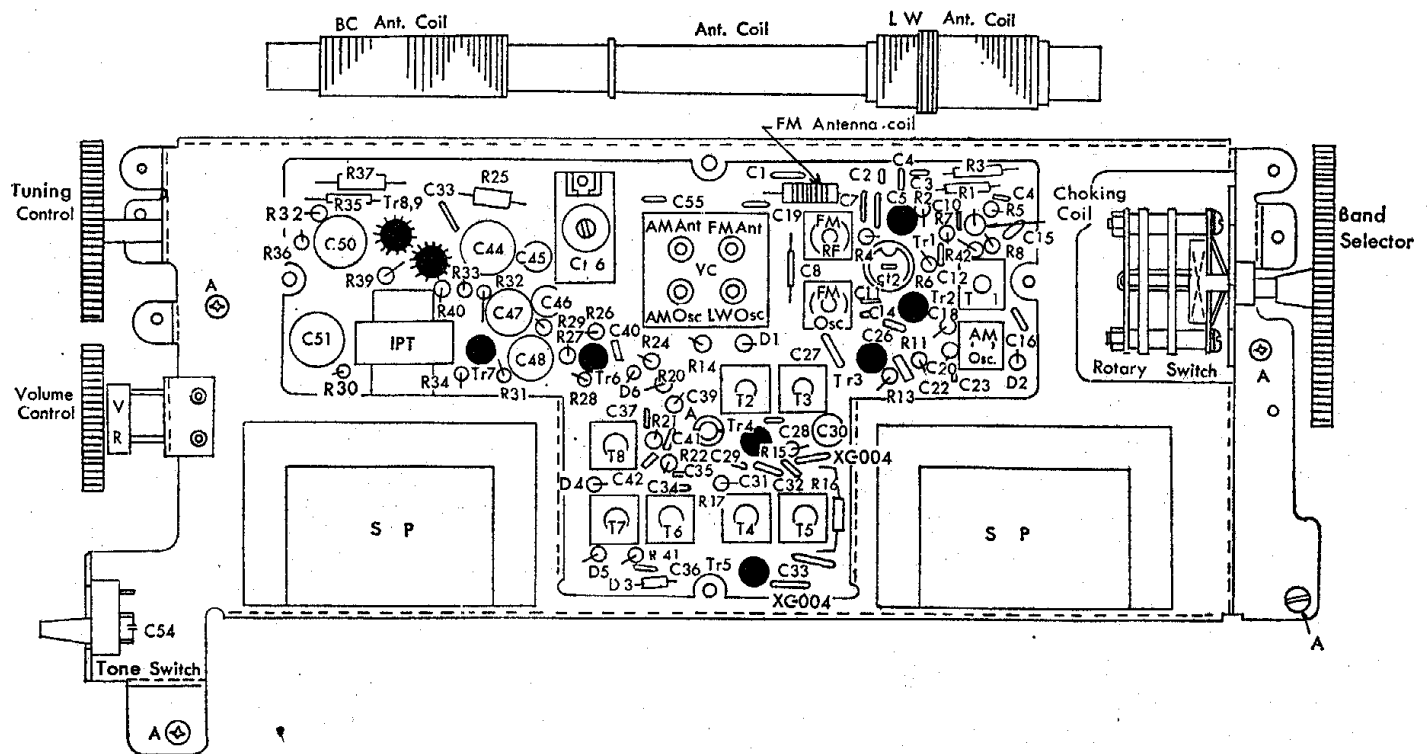


**General Description:** Nine-transistor (plus six diodes), three-waveband, A.M./F.M. portable receiver with telescopic aerial. 6-volt battery (four 1.5-volt cells).

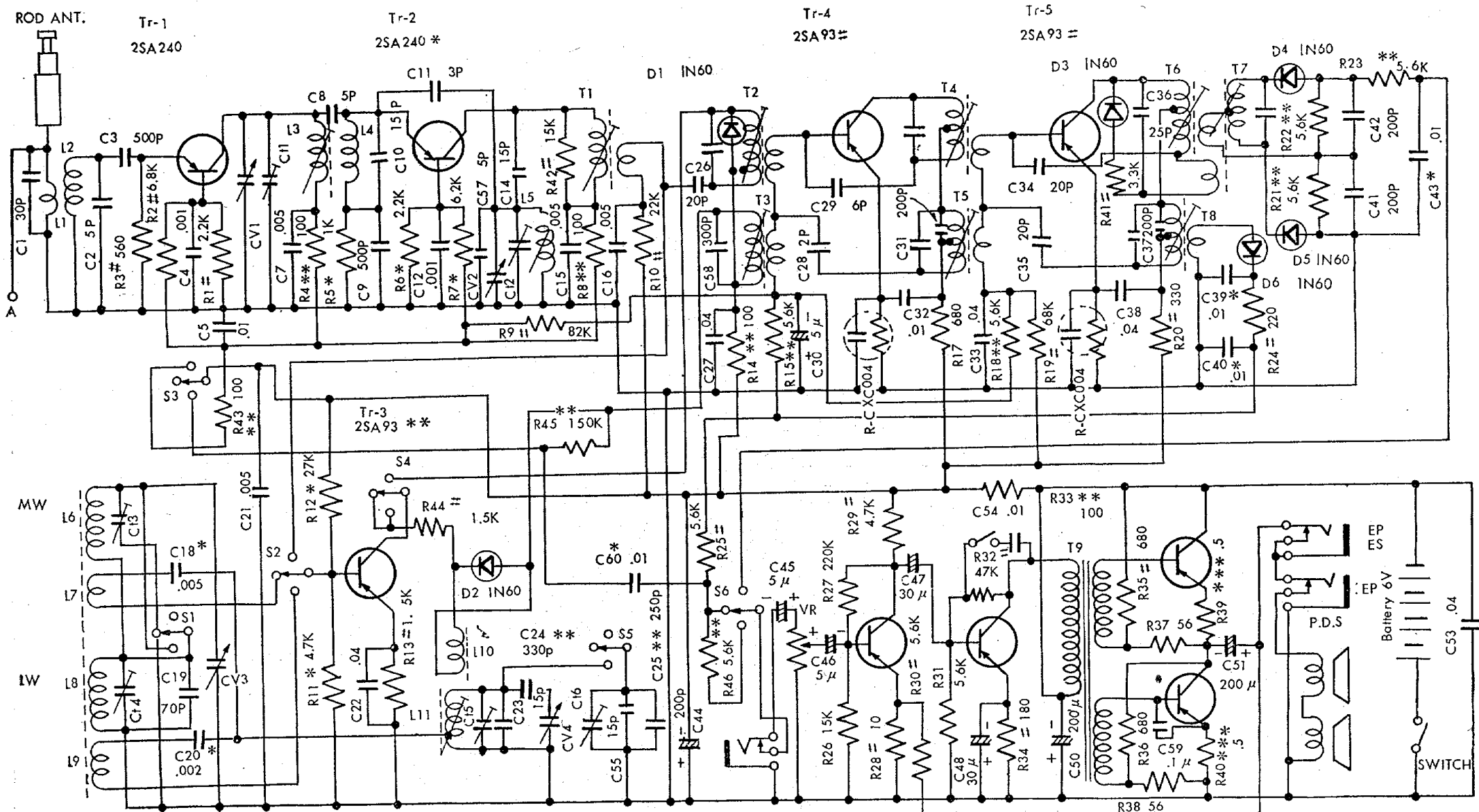
**Wavebands:** M.W. 535-1605 kc/s.; L.W. 150-250 kc/s.; V.H.F. 87-108 Mc/s.

**Alignment:** A.M. I.F. 450 kc/s. (T8, T5, T3). M.W. 525 kc/s. (L11); 1650 kc/s. (Ct5); 1400 kc/s. (Ct3); 600 kc/s. (L6, L7). L.W. 200 kc/s. (Ct6); 250 kc/s. (Ct4); 150 kc/s. (L8, L9). F.M. I.F. 10.7 Mc/s. (T6, T4, T2, T1). F.M. Discrim. 10.7 Mc/s. (T6, T7). R.F. 106 Mc/s. (Ct2, Ct1). 90 Mc/s. (L5, L3).

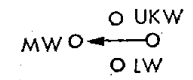


COMPONENT LOCATIONS—SANYO MODEL AFT-8L

<i>Transistors</i>	<i>Type</i>	<i>Description</i>
TR1	2SA240	F.M. R.F. amplifier
TR2	2SA240B2	F.M. converter
TR3	2SA93	A.M. converter and F.M. I.F. amplifier
TR4	2SA93	F.M./A.M. I.F. amplifier
TR5	2SA93	F.M./A.M. I.F. amplifier
TR6	2SB54	A.F. amplifier
TR7	2SB54	Driver
TR8	2SB189	Power amplifier
TR9	2SB189	* Superseded by 2SB22 Power amplifier * Superseded by 2SB22



Tr-6 2SB54 Tr-7 2SB54 Tr-8 & 9 2SB189 · 2



SWITCH DIAGRAM S1-S6