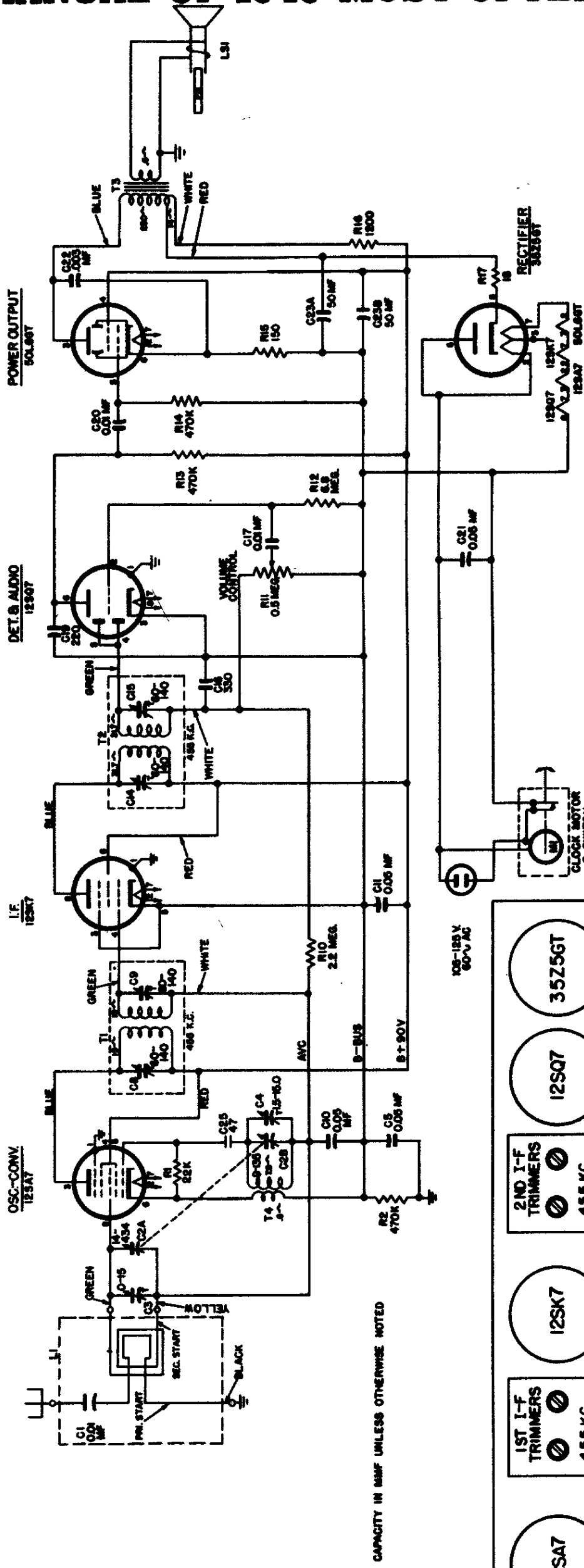


# MANUAL OF 1949 MOST-OFTEN-NEEDED RADIO DIAGRAMS



## GENERAL ELECTRIC

### SERVICE DATA

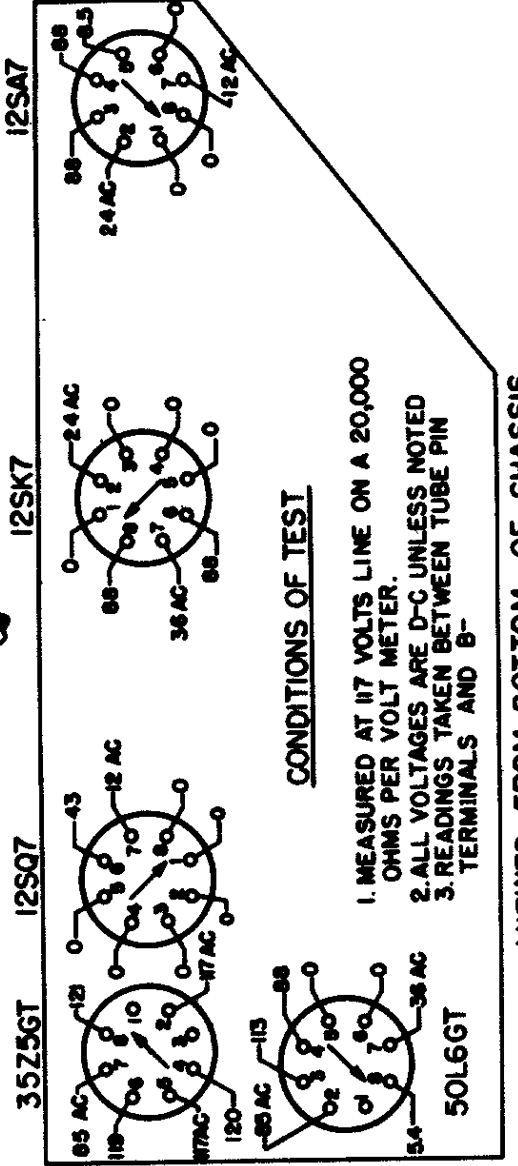
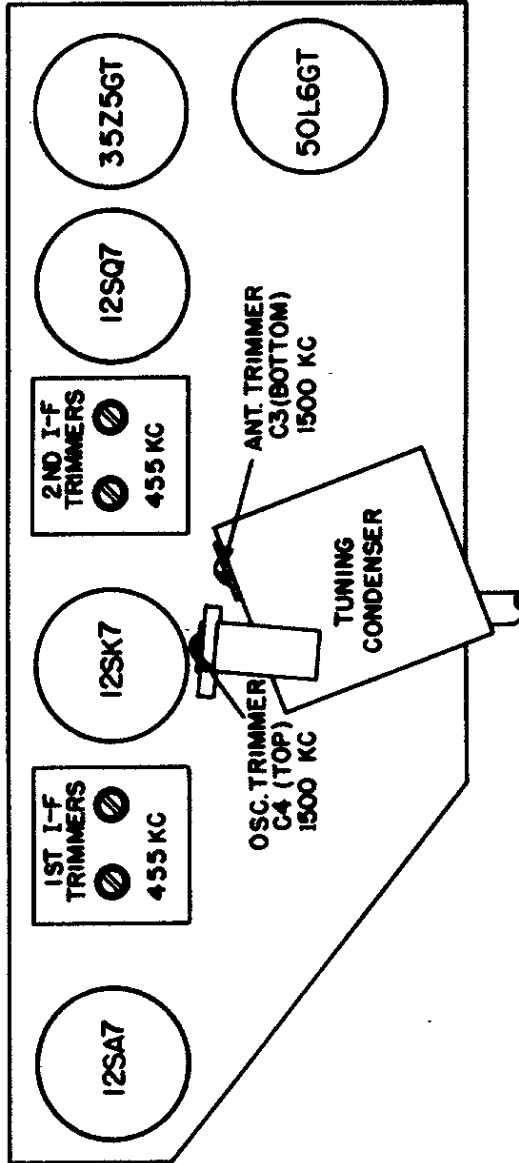
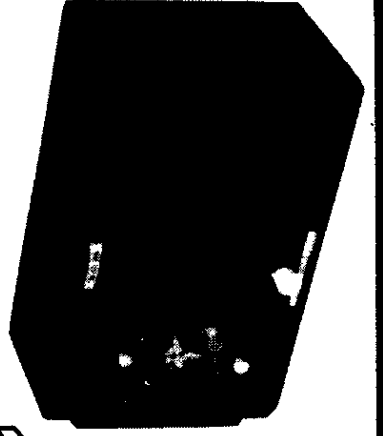
FOR

### CLOCK-RADIO

### MODELS 60 AND 62

### ALIGNMENT CHART

Step	Connect Test Oscillator to—	Test Osc. Setting	Dial Drum Setting	Adjust Trimmers for Maximum Output
1	12SK7 grid (4) in series with 0.05 mf. cap.	455 kc	1600 kc	2nd i-f trans. trimmers, C14 and C15
2	12SA7 grid (8) in series with 0.05 mf. cap.	455 kc	1600 kc	1st i-f trans. trimmers, C8 and C9
3	Antenna Post in series with 200 mmf. cap.	1500 kc	1500 kc	C4 (oscillator)
4	Antenna Post in series with 200 mmf. cap.	1500 kc	1500 kc	C3 (antenna)



### CONDITIONS OF TEST

1. MEASURED AT 17 VOLTS LINE ON A 20,000 OHMS PER VOLT METER.
2. ALL VOLTAGES ARE D-C UNLESS NOTED
3. READINGS TAKEN BETWEEN TUBE PIN TERMINALS AND B-

VIEWED FROM BOTTOM OF CHASSIS