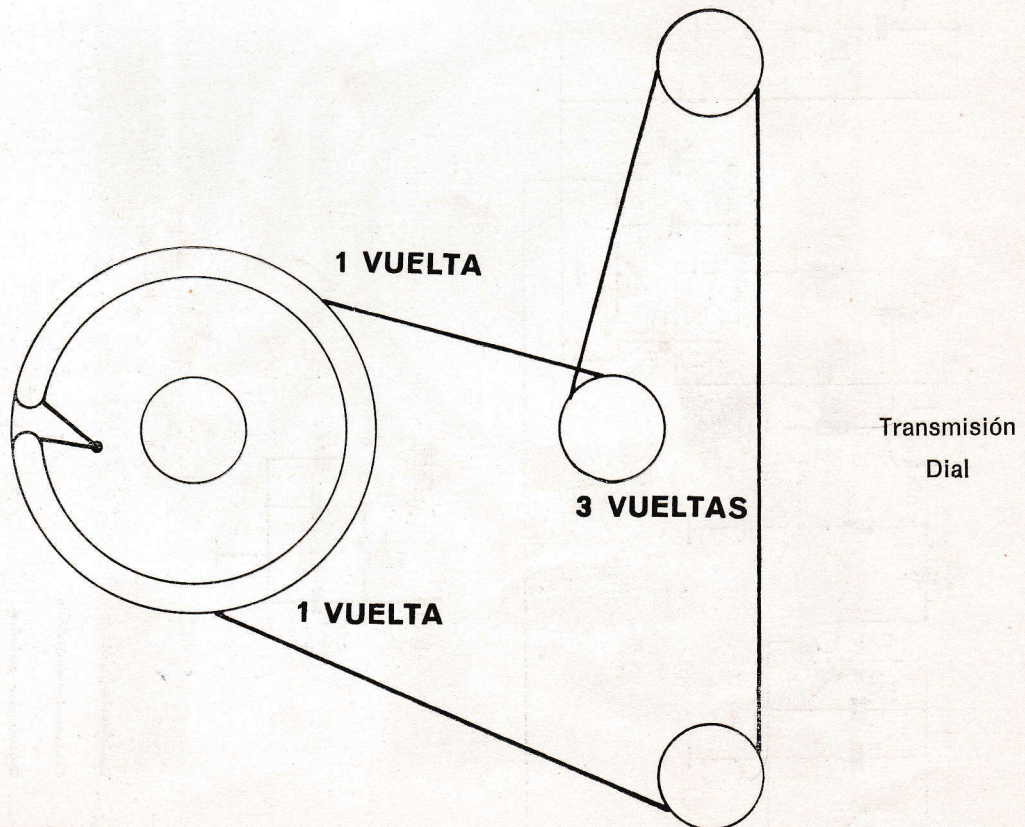


# ANEXO MODELO RP-131

El receptor descrito en las presentes páginas es una versión diferente en presentación y ligeramente mejorada en su circuito eléctrico, de nuestro modelo RP-130, por lo cual, como verán ustedes, las características esenciales no varían.

## CARACTERISTICAS TECNICAS

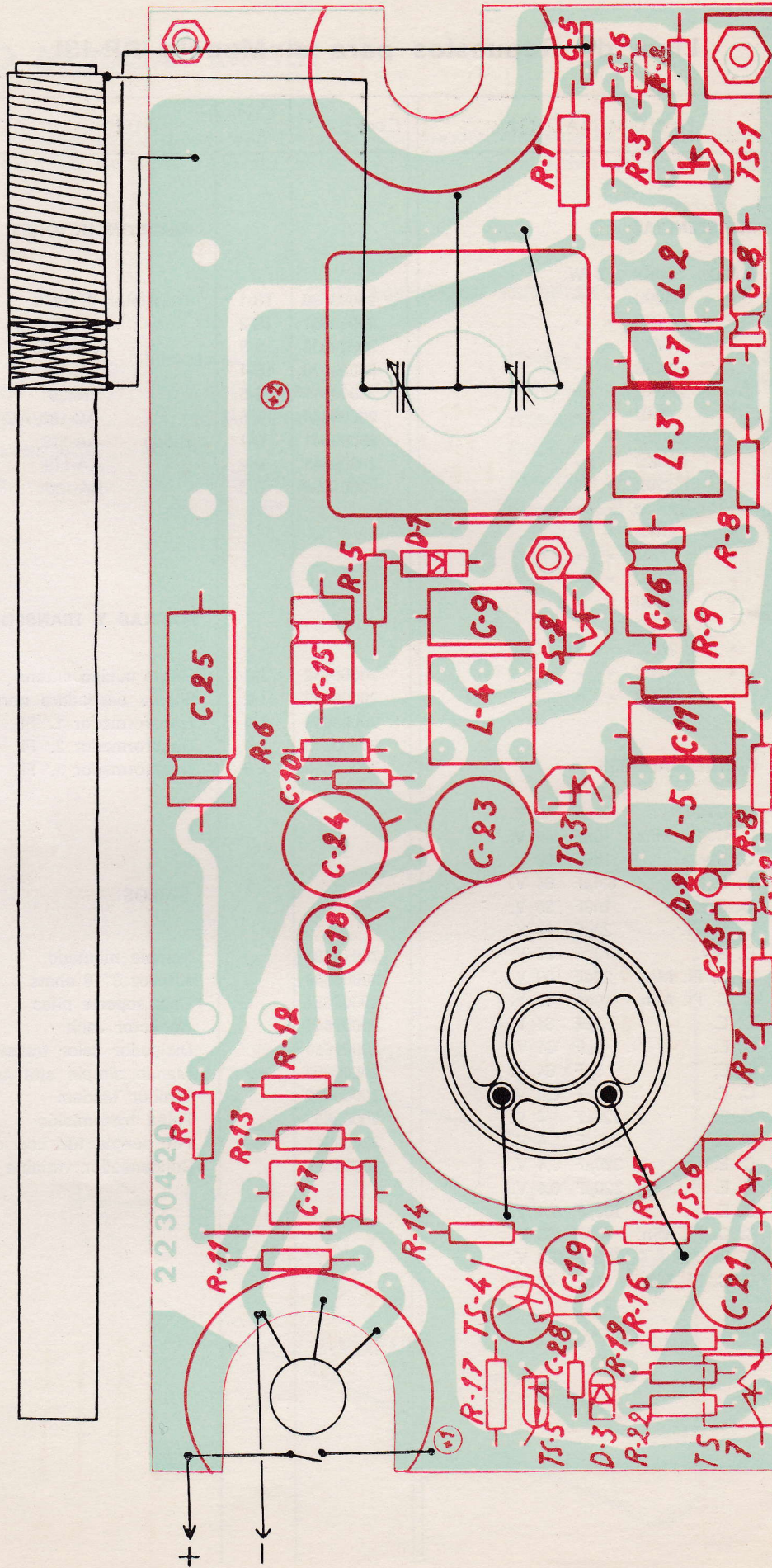
|                                 |  |                              |                                |
|---------------------------------|--|------------------------------|--------------------------------|
| Circuito . . . . .              | Superheterodino  | Diodos . . . . .             | 2 AA-119, BA-100               |
| Alimentación . . . . .          | 6 V c. c. (4 pilas de 1,5 V)                           | Antena . . . . .             | Interior ferromagnética        |
| Margen de frecuencia . . . . .  | De 540 a 1.620 Kc/s.                                   | Altavoz . . . . .            | 3" 6 $\Omega$                  |
| Frecuencia intermedia . . . . . | 456 Kc/s.  | Potencia . . . . .           | 300 mW sin recorte             |
| Transistores. . . . .           | BF-194B, BF-195C, BF-195D,<br>2 AC-187, 2N4291, AC-188 | Consumo sin señal . . . . .  | 14 mA                          |
|                                 |  | Sensibilidad en RF . . . . . | 0,5 $\mu$ V en la base de TS-1 |





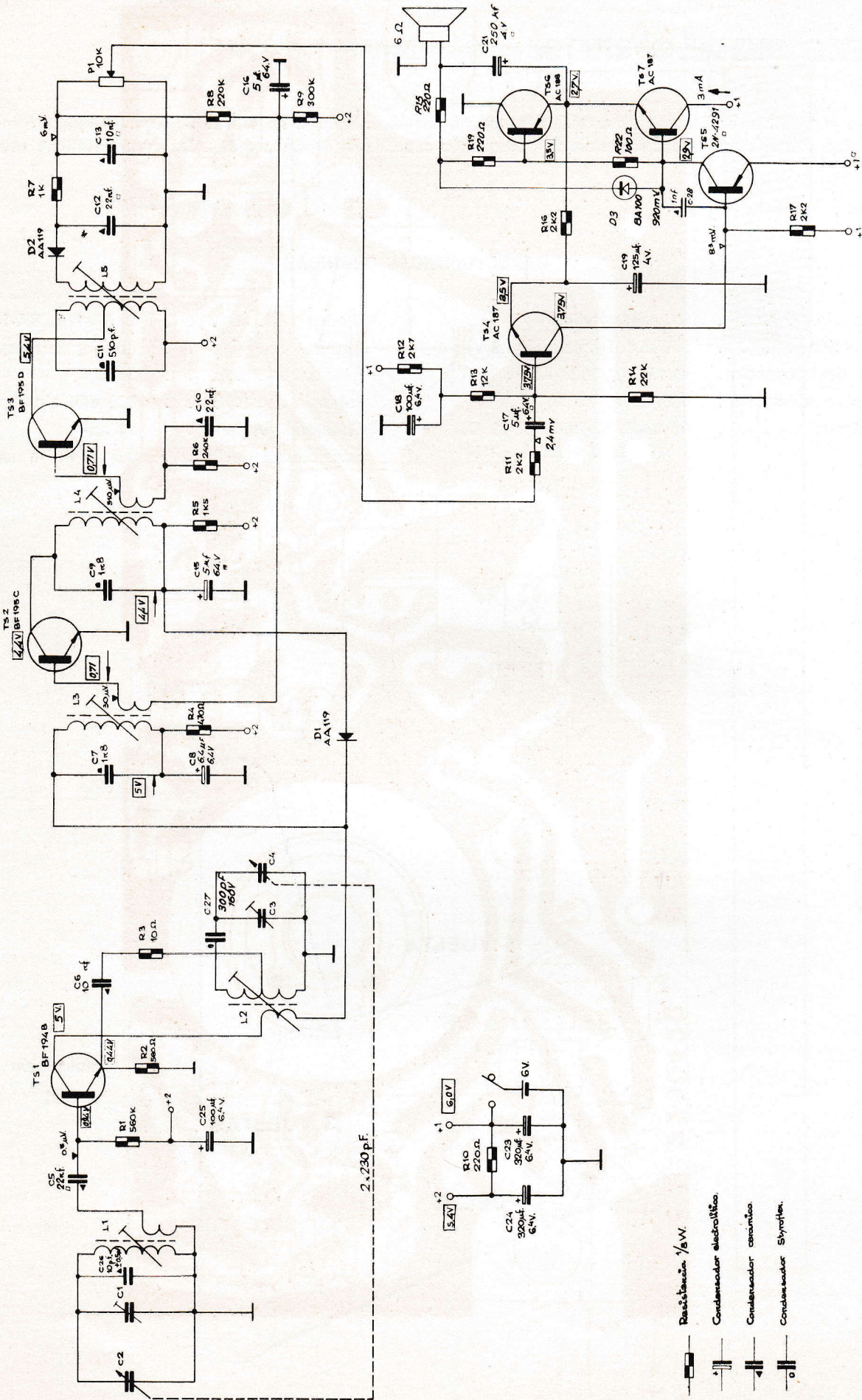
# RP - 131

Planos de Pistas, Componentes y Conexiones





# Circuito Eléctrico RP-131



- Resistencia 1/8 W.
- Condensador electrolítico.
- Condensador variable.
- Condensador Sinter.



## Lista de Repuestos para el Modelo RP-131

| Cod. S.A.T.          | Cod. Plano | DENOMINACION                | Cod. S.A.T.                      | Cod Plano | DENOMINACION                           |
|----------------------|------------|-----------------------------|----------------------------------|-----------|--|
| <b>RESISTENCIAS</b>  |            |                             | <b>SEMICONDUCTORES</b>           |           |  |
| 20009627             | R-1        | R.C.D. 560K $\Omega$ 1/8 W. | 20009636                         | TS-1      | Transistor BF-194B                     |
| 20008663             | R-2        | » 560 $\Omega$ » »          | 20009637                         | TS-2      | » BF-195C                              |
| 20009630             | R-3        | » 10 $\Omega$ » »           | 20009638                         | TS-3      | » BF-195D                              |
| 20009634             | R-4        | » 470 $\Omega$ » »          | 20009639                         | TS-4      | » AC-187                               |
| 20008674             | R-5        | » 1K5 $\Omega$ » »          | 20009617                         | TS-5      | » 2N4291                               |
| 20009629             | R-6        | » 240K $\Omega$ » »         | 20009640                         | TS-6/7    | » AC-188/AC-187                        |
| 20008664             | R-7        | » 1K $\Omega$ » »           | 20009641                         | D-1       | Diodo AA-119                           |
| 20008986             | R-8        | » 220K $\Omega$ » »         | 20009641                         | D-2       | » AA-119                               |
| 20009628             | R-9        | » 300K $\Omega$ » »         | 20001004                         | D-3       | » BA-100                               |
| 20008656             | R-10       | » 220 $\Omega$ » »          |                                  |           |  |
| 20008661             | R-11       | » 2K2 $\Omega$ » »          |                                  |           |  |
| 20009148             | R-12       | » 2K7 $\Omega$ » »          |                                  |           |  |
| 20008993             | R-13       | » 12K $\Omega$ » »          |                                  |           |  |
| 20009049             | R-14       | » 22K $\Omega$ » »          |                                  |           |  |
| 20008656             | R-15       | » 220 $\Omega$ » »          |                                  |           |  |
| 20008661             | R-16       | » 2K2 $\Omega$ » »          |                                  |           |  |
| 20008661             | R-17       | » 2K2 $\Omega$ » »          |                                  |           |  |
| 20008656             | R-19       | » 220 $\Omega$ » »          |                                  |           |  |
| 20009408             | R-22       | » 100 $\Omega$ » »          |                                  |           |  |
| <b>CONDENSADORES</b> |            |                             | <b>BOBINAS Y TRANSFORMADORES</b> |           |  |
| 20009631             | C-5        | C. C. Pl. 22nF 40 V.        | 20009642                         | L-1       | Grupo núcleo antena                    |
| 20009632             | C-6        | C. C. Pl. Min. 10nF 40 V.   | 20009643                         | L-2       | Bobina osciladora normal               |
| 20009633             | C-7        | C. Sty. 1n8F 50 V.          | 20009644                         | L-3       | Transformador 1.º FI                   |
| 20008687             | C-8        | C. E. 6,4 $\mu$ F 64 V.     | 20009645                         | L-4       | Transformador 2.º FI                   |
| 20009633             | C-9        | C. Sty. 1n8F 50 V.          | 20009646                         | L-5       | Transformador 3.º FI                   |
| 20009631             | C-10       | C. C. Pl. 22nF 40 V.        |                                  |           |  |
| 20008191             | C-11       | C. Sty. 510pF 33 V.         |                                  |           |  |
| 20009631             | C-12       | C. C. Pl. Min. 22nF 40 V.   |                                  |           |  |
| 20009632             | C-13       | C. C. Pl. Min. 10nF 40 V.   |                                  |           |  |
| 20009210             | C-15       | C. E. 5 $\mu$ F 64 V.       |                                  |           |  |
| 20009210             | C-16       | C. E. 5 $\mu$ F 64 V.       |                                  |           |  |
| 20009210             | C-17       | C. E. 5 $\mu$ F 64 V.       |                                  |           |  |
| 20009002             | C-18       | C. E. 100 $\mu$ F 6,4 V.    |                                  |           |  |
| 20009635             | C-19       | C. E. 125 $\mu$ F 4 V.      |                                  |           |  |
| 20009634             | C-21       | C. E. 250 $\mu$ F 4 V.      |                                  |           |  |
| 20009413             | C-23       | C. E. 320 $\mu$ F 6,4 V.    |                                  |           |  |
| 20009413             | C-24       | C. E. 320 $\mu$ F 6,4 V.    |                                  |           |  |
| 20009002             | C-25       | C. E. 100 $\mu$ F 6,4 V.    |                                  |           |  |
| 20011963             | C-26       | C. C. Pl. Min. 10pF 63 V.   |                                  |           |  |
| 20012379             | C-27       | C. Sty. 300pF 160 V.        |                                  |           |  |
| 20009758             | C-28       | C. C. Pl. Min. 1nF 40 V.    |                                  |           |  |
|                      |            |                             |                                  |           | <b>VARIOS</b>                          |
|                      |            |                             | 20012380                         |           | Mueble montado                         |
|                      |            |                             | 20009649                         |           | Altavoz 3" 6 ohms                      |
|                      |            |                             | 20009651                         |           | Caja soporte pilas                     |
|                      |            |                             | 20009441                         |           | Conector Jack                          |
|                      |            |                             | 20009650                         |           | Disipador calor transistor             |
|                      |            |                             | 20009654                         |           | Mando simple sintonía                  |
|                      |            |                             | 20009652                         |           | Tambor tándem                          |
|                      |            |                             | 20009653                         |           | Polea transmisión                      |
|                      |            |                             | 20009647                         | P-1       | Pot. simple 10K Log. c/i.              |
|                      |            |                             | 20009781                         |           | Condensador variable 2 $\times$ 230 pF |