

Emerson Radio & Phonograph Corp.

Model: L-AC-4

Chassis:

Year: Pre June 1933

Power:

Circuit:

IF:

Tubes:

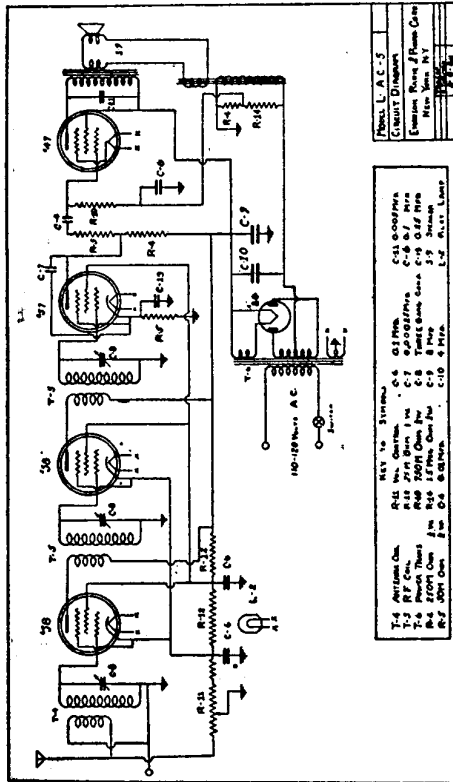
Bands:

Resources

Riders Volume 3 - EMERSON 3-1

EMERSON RADIO AND PHONOGRAPH CORPORATION

MODEL L-AC-4
MODEL L-AC-5
Schematic
Voltage



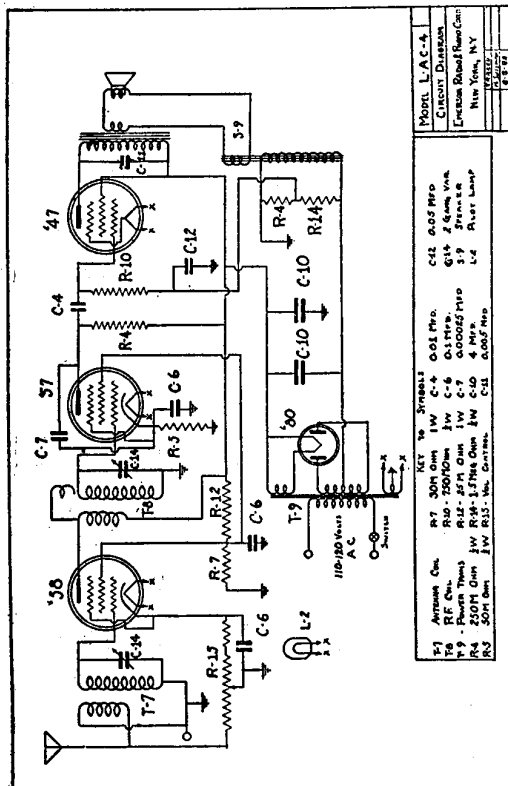
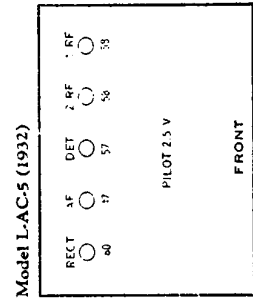
Model L-AC-5

347 Pentode Tube ground to	Plate	Screen	Cathode
to220	240	none
58 First R. F. Tube ground to240	90	4.5
58 Second R. F. Tube ground to240	90	4.5
57 Detector Tube ground to114	90	4.5

Line Voltage119

The bias on the 347 cannot be read with the volt meter.

These readings are approximate and will vary slightly with tubes, set, etc.



Model L-AC-4

347 Tube-ground to	Plate	Screen	Cathode
to215	237	none
58 Tube-ground to237	92	2
57 Tube-ground to115	92	4.5
Line Voltage	119		

The bias on the pentode cannot be read on the volt meter.

These readings are approximate and will vary slightly with sets, tubes, etc.

