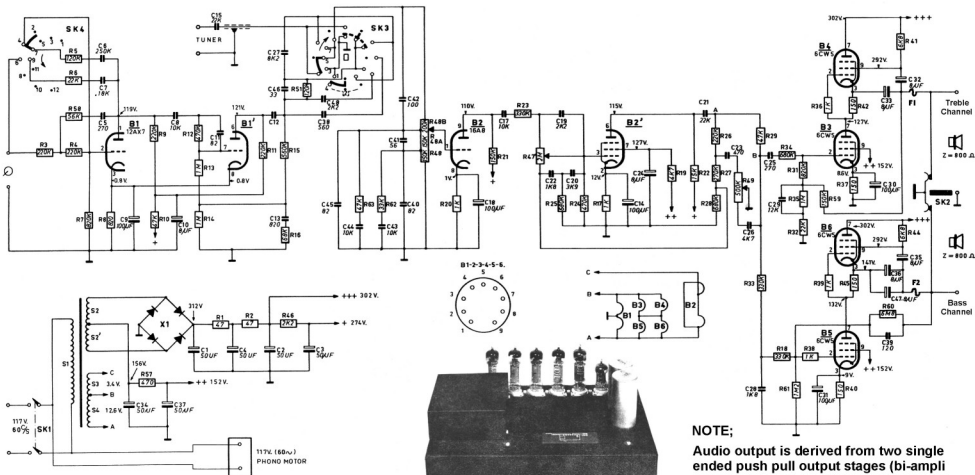
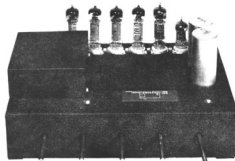


S	1	2	2'	3	4											18	17					21	23	26	28	25	29	31	30																																																
C	6	7	5	34	9	37	8	10	3	15	11	4	2	12	27	46	13	1	48	38	45	44	43	42	41	40																																																			
R	3	5	6	58	4	7	8					57	9	10			12	13	14	1	2	11	15	16	44	51			63	62					48B	48A	48	20	21	23	4	25	24	17					19	22	26	27	28	49					29	33	34	36	31	61	35	38	32	36	59	35	40	42	37	41	45	44	60



**PHILIPS AG9008-52**



**NOTE;**  
 Audio output is derived from two single ended push pull output stages (bi-ampli principle)