

## R.C.A. Victor Co., Inc.

**Model:** RADIOLA 20

**Chassis:**

**Year:** Pre 1932

**Power:**

**Circuit:**

**IF:**

**Tubes:**

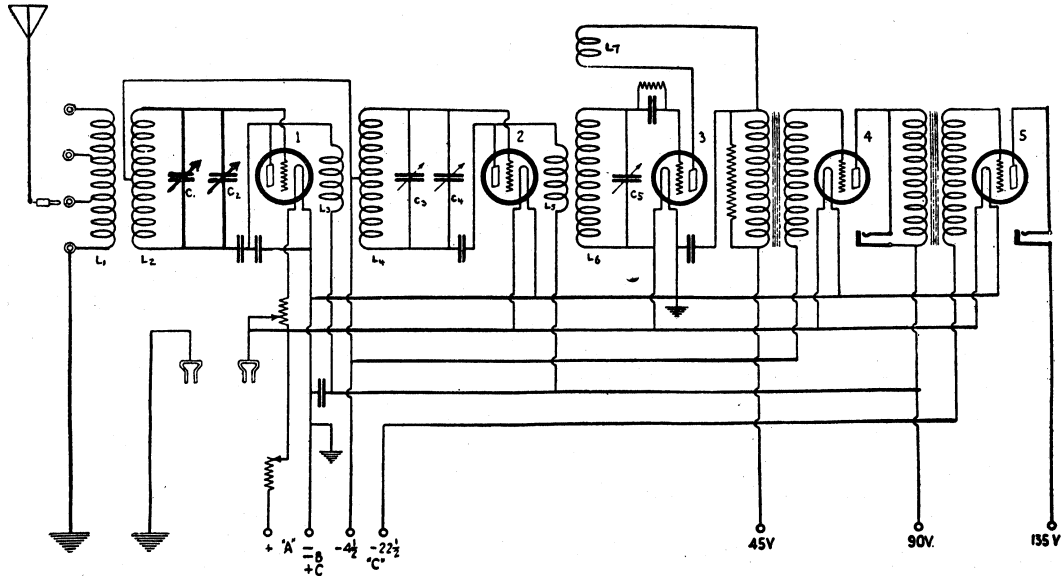
**Bands:**

Resources

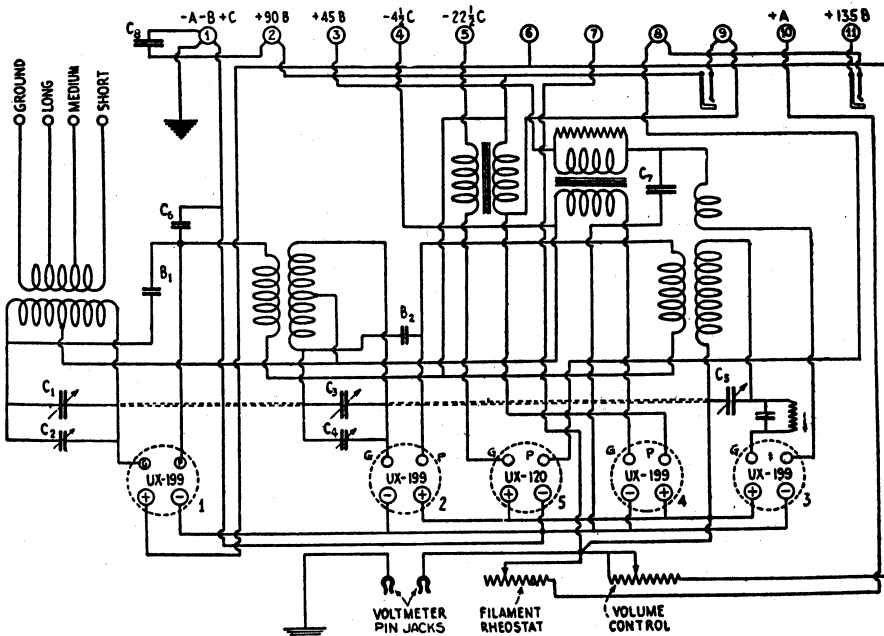
[Riders Volume 1 - R. C. A. 1-17](#)

MODEL Radiola 20

R. C. A. VICTOR CO., INC.

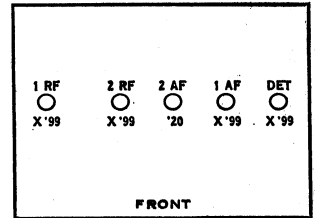


Radiola 20.



Continuity Diagram of the Radiola 20

Model Radiola 20 (1925)



- |              |                             |
|--------------|-----------------------------|
| B plus 135   | Red                         |
| B plus 90    | Maroon and Red              |
| B plus 45    | Maroon                      |
| A- B- C plus | Green and Yellow-Red Tracer |
| -4.5         | Black and Green             |
| -22.5        | Black with Green Tracer     |
| A plus       | Yellow                      |