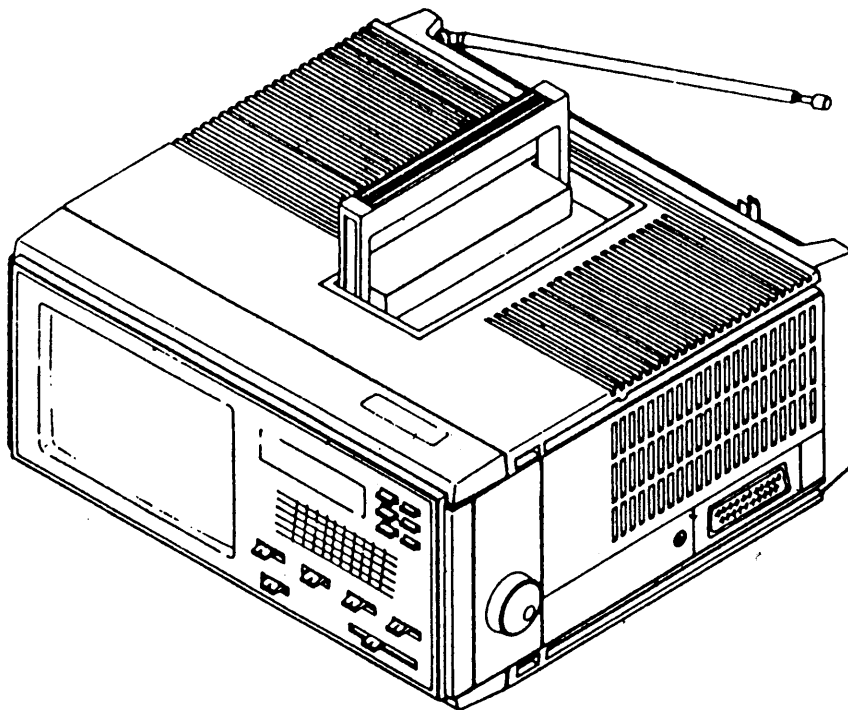
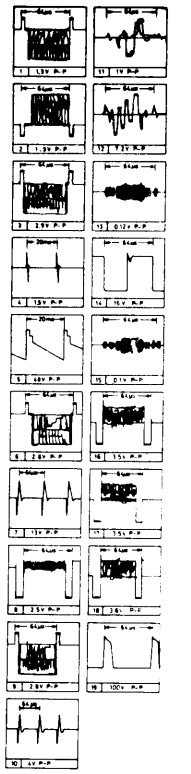
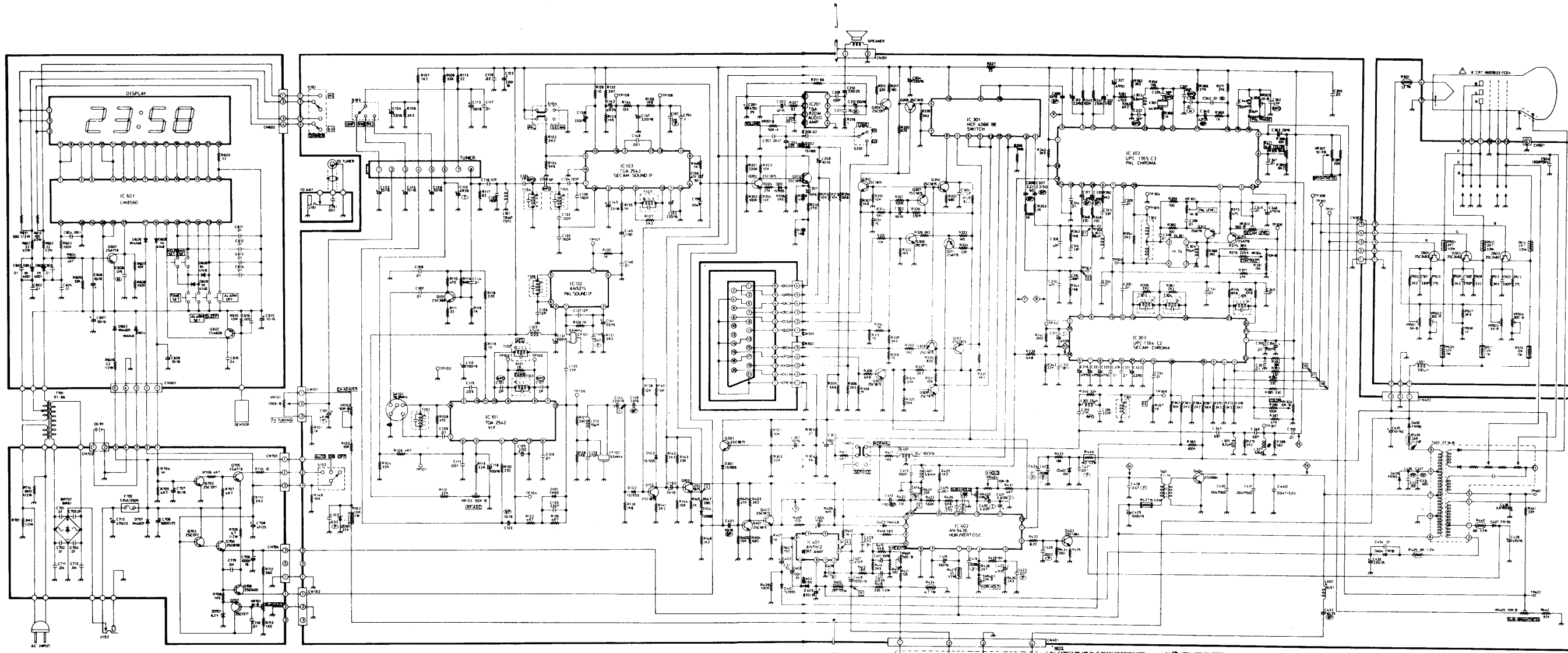




MANUEL D'UTILISATION



L'AMI DE LA CUISINE
TV/RÉVEIL



1. ALL CAPACITORS ARE 50V UNLESS OTHERWISE NOTED
 2. ALL CAPACITORS ARE 50V UNLESS OTHERWISE NOTED
 3. CAPACITORS NOT SPECIALLY DESIGNATED ARE CERAMIC CAPACITORS
 4. ELECTROLYTIC CAPACITORS
 5. POLYMER ELECTROLYTIC CAPACITOR
 6. TANTALUM CAPACITOR
 7. METALLIZED POLYESTER
 8. SILICA CAPACITOR
 9. POLYMER FILM CAPACITOR
 10. POLYPROPYLENE CAPACITOR
 11. ALL RESISTORS ARE IN OHM UNLESS OTHERWISE NOTED
 12. RESISTORS NOT SPECIALLY DESIGNATED
 13. CARBON FILM RESISTORS
 14. METAL FILM RESISTOR
 15. METAL OXIDE RESISTOR
 16. METAL OXIDE RESISTOR
 17. METAL OXIDE RESISTOR
 18. METAL OXIDE RESISTOR
 19. METAL OXIDE RESISTOR
 20. METAL OXIDE RESISTOR
 21. METAL OXIDE RESISTOR
 22. METAL OXIDE RESISTOR
 23. METAL OXIDE RESISTOR
 24. METAL OXIDE RESISTOR
 25. METAL OXIDE RESISTOR
 26. METAL OXIDE RESISTOR
 27. METAL OXIDE RESISTOR
 28. METAL OXIDE RESISTOR
 29. METAL OXIDE RESISTOR
 30. METAL OXIDE RESISTOR
 31. METAL OXIDE RESISTOR
 32. METAL OXIDE RESISTOR
 33. METAL OXIDE RESISTOR
 34. METAL OXIDE RESISTOR
 35. METAL OXIDE RESISTOR
 36. METAL OXIDE RESISTOR
 37. METAL OXIDE RESISTOR
 38. METAL OXIDE RESISTOR
 39. METAL OXIDE RESISTOR
 40. METAL OXIDE RESISTOR
 41. METAL OXIDE RESISTOR
 42. METAL OXIDE RESISTOR
 43. METAL OXIDE RESISTOR
 44. METAL OXIDE RESISTOR
 45. METAL OXIDE RESISTOR
 46. METAL OXIDE RESISTOR
 47. METAL OXIDE RESISTOR
 48. METAL OXIDE RESISTOR
 49. METAL OXIDE RESISTOR
 50. METAL OXIDE RESISTOR
 51. METAL OXIDE RESISTOR
 52. METAL OXIDE RESISTOR
 53. METAL OXIDE RESISTOR
 54. METAL OXIDE RESISTOR
 55. METAL OXIDE RESISTOR
 56. METAL OXIDE RESISTOR
 57. METAL OXIDE RESISTOR
 58. METAL OXIDE RESISTOR
 59. METAL OXIDE RESISTOR
 60. METAL OXIDE RESISTOR
 61. METAL OXIDE RESISTOR
 62. METAL OXIDE RESISTOR
 63. METAL OXIDE RESISTOR
 64. METAL OXIDE RESISTOR
 65. METAL OXIDE RESISTOR
 66. METAL OXIDE RESISTOR
 67. METAL OXIDE RESISTOR
 68. METAL OXIDE RESISTOR
 69. METAL OXIDE RESISTOR
 70. METAL OXIDE RESISTOR
 71. METAL OXIDE RESISTOR
 72. METAL OXIDE RESISTOR
 73. METAL OXIDE RESISTOR
 74. METAL OXIDE RESISTOR
 75. METAL OXIDE RESISTOR
 76. METAL OXIDE RESISTOR
 77. METAL OXIDE RESISTOR
 78. METAL OXIDE RESISTOR
 79. METAL OXIDE RESISTOR
 80. METAL OXIDE RESISTOR
 81. METAL OXIDE RESISTOR
 82. METAL OXIDE RESISTOR
 83. METAL OXIDE RESISTOR
 84. METAL OXIDE RESISTOR
 85. METAL OXIDE RESISTOR
 86. METAL OXIDE RESISTOR
 87. METAL OXIDE RESISTOR
 88. METAL OXIDE RESISTOR
 89. METAL OXIDE RESISTOR
 90. METAL OXIDE RESISTOR
 91. METAL OXIDE RESISTOR
 92. METAL OXIDE RESISTOR
 93. METAL OXIDE RESISTOR
 94. METAL OXIDE RESISTOR
 95. METAL OXIDE RESISTOR
 96. METAL OXIDE RESISTOR
 97. METAL OXIDE RESISTOR
 98. METAL OXIDE RESISTOR
 99. METAL OXIDE RESISTOR
 100. METAL OXIDE RESISTOR

KONG WAH VIDEO ENGINEERING LTD			
TITLE SCHEMATIC DIAGRAM			
MODEL NO. 7706-08	DESIGNER	DATE 28-12-88	REV. NO.
DESIGN NO. 7706-08	CHECKED		