

Anschlüsse für
Andruck - Lüftmagnet
SOLDERING TAGS FOR
PRESSURE LIFTING MAGNET
CONNEXIONS POUR
ELECTRO-AIMANT DE LEVAGE
DE PRESSION

(P) Pegelregler
LEVEL CONTROL
REGLAGE DE NIVEAU

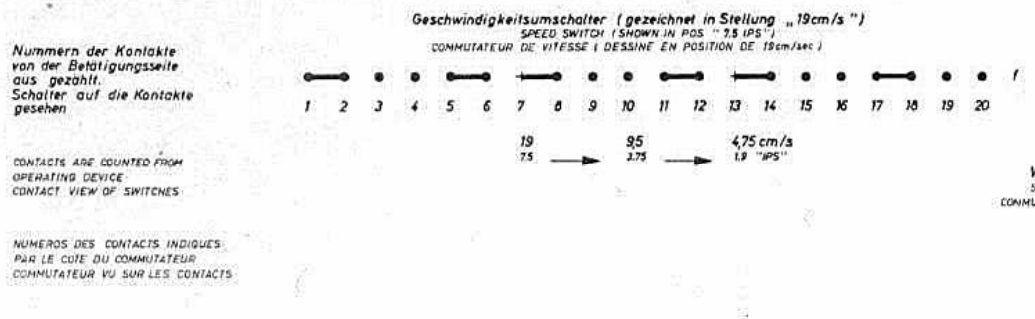
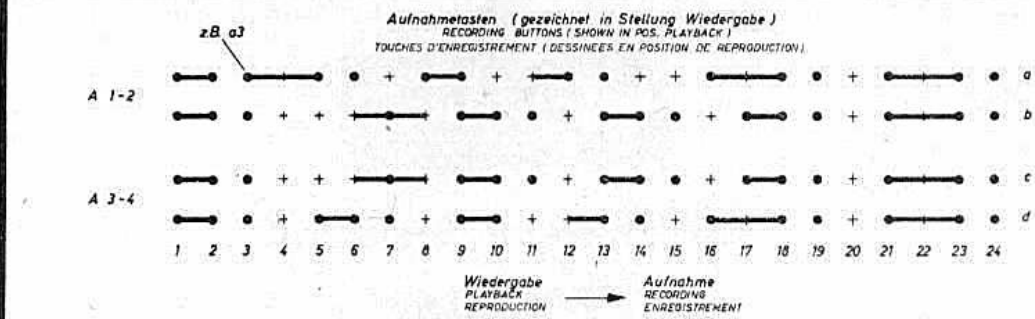
(L) Lautstärke
VOLUME CONTROL
REGLAGE DE VOLUME

Änderungen vorbehalten!
ALTERATIONS RESERVED!
MODIFICATIONS RESERVEES!

gezeichnet in Stellung „Halt“!
SHOWN IN "HALT" POSITION!
MONTRÉ EN POS. "STOP"!

| Kontaktfedersätze CONTACT SPRING SETS JEUX DE CONTACTS | Halt STOP STOP | Wiedergabe REPRODUCTION REPRODUCTION | Wiedergabe REPRODUCTION REPRODUCTION |
|--|----------------------|--|--|
| Druckstastennagel PUSH BUTTON BLOCK BLOC-TOUCHES | j1 | | |
| Geschw. - Umsch. SPEED SWITCH SPEED SELECTOR | k1 | | |
| Druckstastennagel PUSH BUTTON BLOCK BLOC-TOUCHES | w1 | | |
| Kopflüßler HEAD BASE ASSY SUPPORT - TÊTE | u1 | | |
| | w2 | | |
| | u2 | | |

| | | | | | | | | | | | | | | | | | | | | | | | | | | | |
|----------|--------|-----------|--------|-------------|-------------|-------------|--------------------|---------------|----------|----------|-------------|--------------|----------|----------|-------------|-------------|--|---------------|--------|---|----------|-----|----------|---------------|-----|--------------------|--|
| a(23,56) | n(2,3) | e(1...24) | b(2,3) | b(21,22,23) | a(19,16,16) | a(21,22,24) | k1 | 11 | V4,5,6 | u1 | b(17,18,19) | b(7,9,10,11) | f(5,6) | f(8,10) | V(2,3) | g(2,3) | f(12,14) | b(13,14,15) | r(2,3) | | | | | | | | |
| d(2,3) | m(2,3) | d(5,6,7) | g(2,3) | c(21,22,23) | d(19,16,16) | d(21,23,24) | | 12 | V(7,8,9) | | c(13,14,15) | e(7,9,10,11) | u2 | f(11,12) | V(10,11,12) | f(14,15,16) | c(17,18,19) | f(12,13) | s(2,3) | | | | | | | | |
| Kanal 1 | 2 | 135, 102 | 103 | 104 | 105 | 106 | 119, 115, 107, 116 | 119, 108, 109 | 4, 5 | 112, 111 | 7 | 114 | 8 | 117, 118 | 11 | 140 | 12 | 222 | 13 | 124, 125, 122, 123, 134, 136, 132, 121, 126, 129, 127, 131, 141 | 120 | 130 | 133 | 138, 145, 137 | 146 | 147, 149, 150, 148 | |
| " 2 | | 235, 202 | 203 | 204 | 205 | 206 | 213, 207, 215, 216 | 219, 208, 209 | 3, 2 | 212, 211 | 214, 210 | 8 | 217, 218 | 11 | 240 | 222 | 224, 225, 241, 223, 234, 238, 232, 221, 226, 229, 227, 231 | 220, 230, 233 | 1, 2 | 230 | 245, 237 | 246 | 247 | 249, 250, 248 | | | |
| " 1 | | 102 | | 104 | 106 | 105 | | | 4 | 108 | 111 | 5 | 112 | | 114 | 9 | 121, 116, 119 | 115 | 123 | 118 | 117 | 125 | 126 | 127, 128 | | | |
| " 2 | | 202 | | 204, 205 | 206 | | | | 3, 2 | 208 | 211 | | 212 | | 214 | 9 | 221, 216, 219, 223, 215 | | 218 | 217 | 225 | 226 | 227, 228 | | | | |



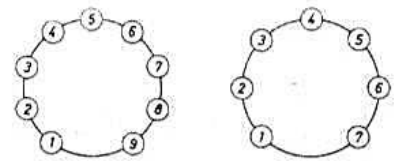
Anschlüsse für
Druck- Lüftmagnet
SOLDERING TABS FOR
PRESSURE LIFTING MAGNET
CONNEXIONS POUR
ELECTRO-AMANT DE LEVAGE
DE PRESSION

Spannungen bei
REPRODUCTION
TENSIONS EN POS.

Wiedergabe
IN PLAYBACK POS.
REPRODUCTION
Aufnahme
IN RECORD POS.
ENREGISTREMENT

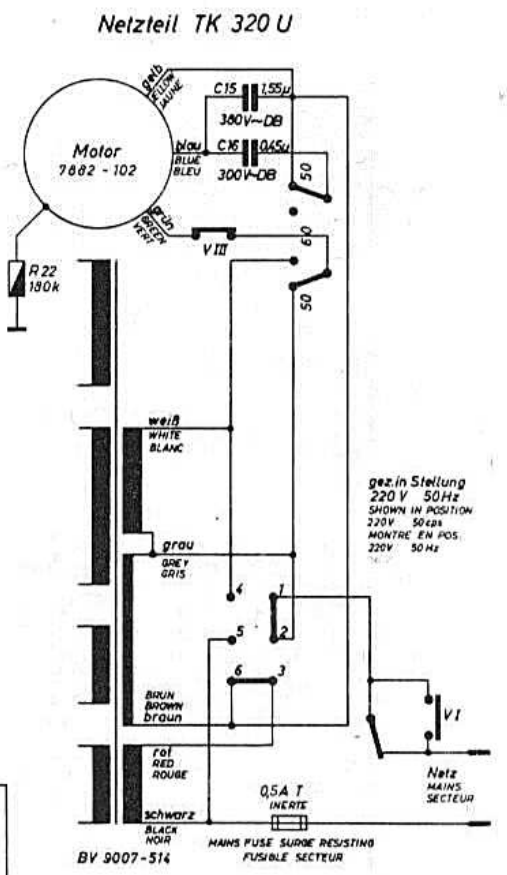
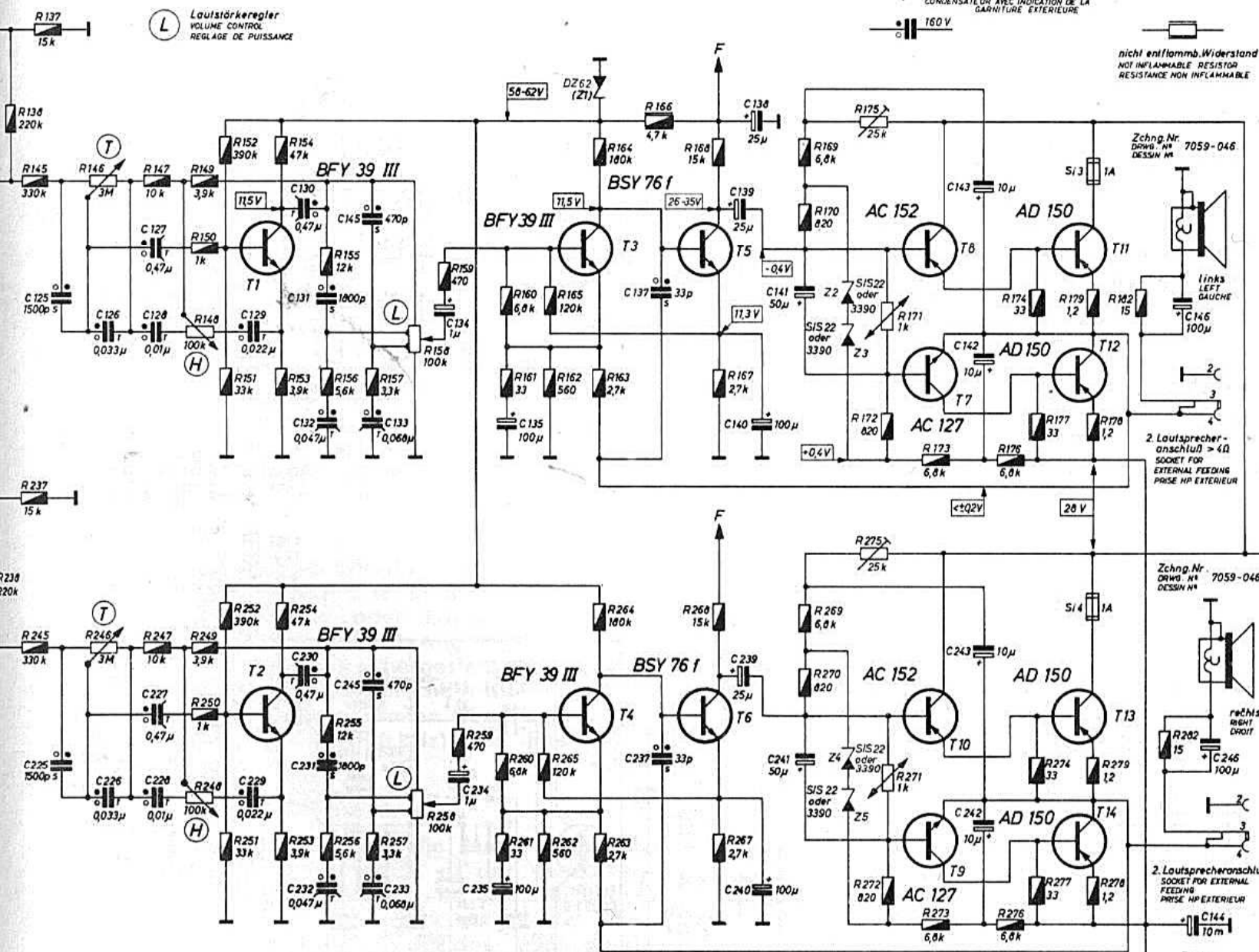
ohne Signal mit GRUNDIG RYM Typ 6062
(Ri x 30 MΩ) gegen Chassis gemessen.
WITHOUT SIGNAL WITH GRUNDIG VTM TYPE 6062/1591
TO CHASSIS (INPUT RESISTANCE x 30MΩ)
MESUREES SANS SIGNAL AVEC GRUNDIG VOLTMETRE A LAMPES
TYPE 6062 (RESISTANCE D'ENTREE 30MΩ)

- K Keramik
- P Polystyrol
- K-T Kond. NT-CAPACITOR NT-CONDENSATEUR
- Elko DRY ELECTROLYTIC CAPACITOR CONDENSATEUR ELECTROLYTIQUE
- Kond. mit Kennzeichnung des Außenbelages CAPACITOR WITH INDICATION OF OUTER COATING CONDENSATEUR AVEC INDICATION DE LA GARNITURE EXTERIEURE
- 400V-
- 500V-
- 1/8W
- 1/3W
- 1/2W
- 1W
- 4W
- 160V

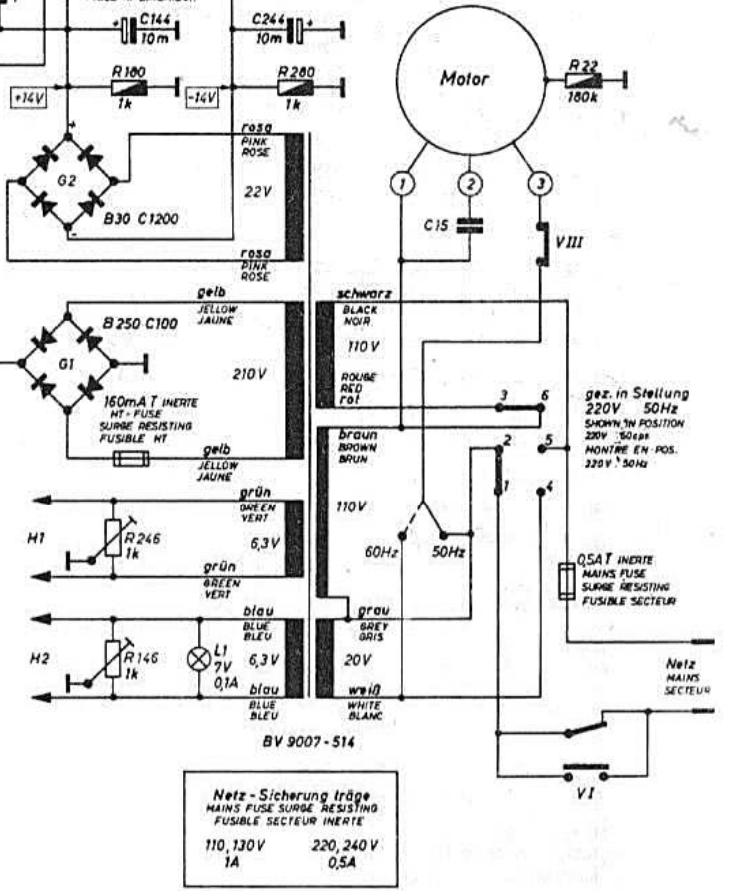
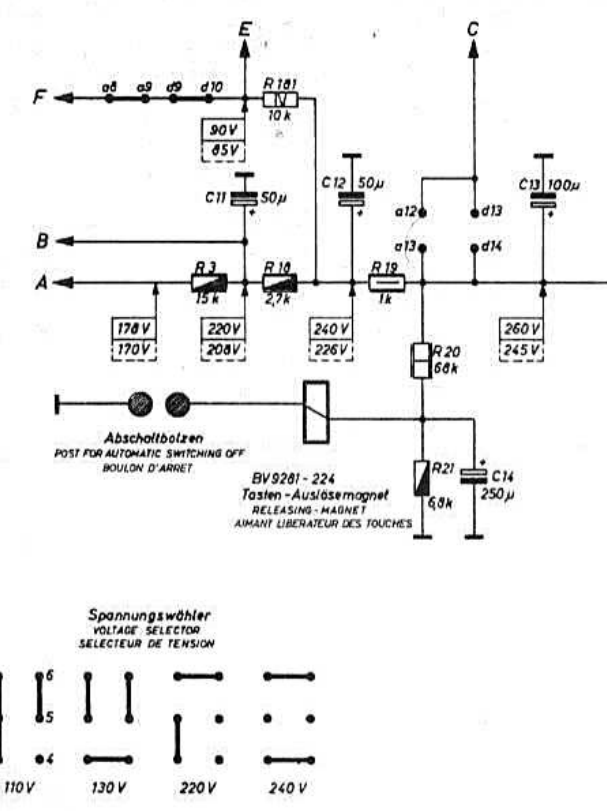
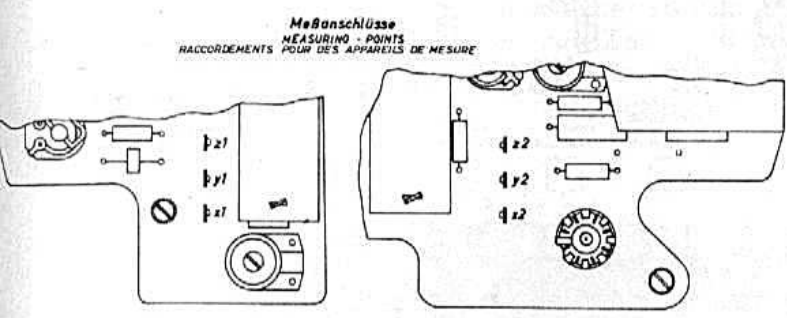


- P Pegelregler LEVEL CONTROL REGLAGE DE NIVEAU
- M Multiplay-Regler MULTIPLAY CONTROL REGLAGE DE "RE-RECORDING"
- T Tiefenregler BASS CONTROL REGLAGE DES BASSES
- H Höhenregler TREBLE CONTROL REGLAGE DES AIGUES

- L Lautstärkereglung VOLUME CONTROL REGLAGE DE PUISSANCE

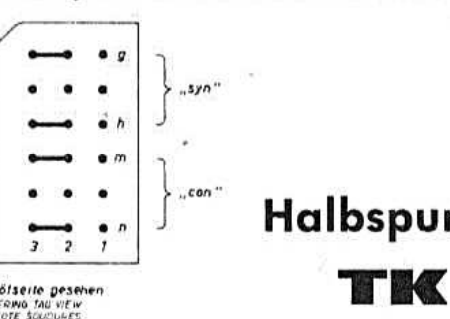
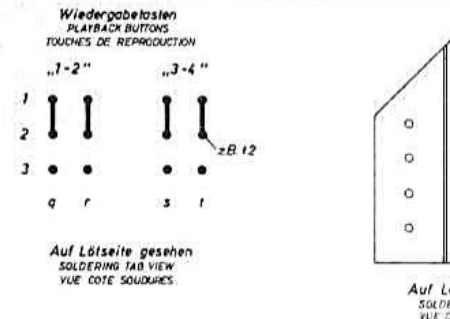
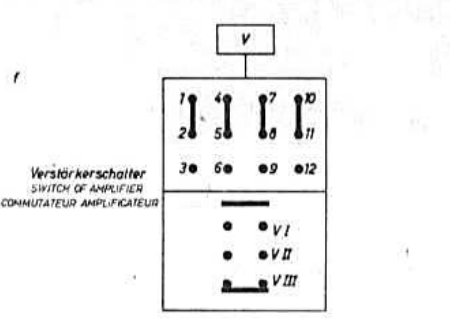
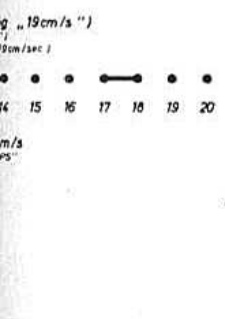


| Motor | TK 320a 7882-102 | TK 320b 7882-100 |
|-------|-------------------------|-------------------------|
| C15 | 2μF/300V~DB | 8μF/125V~DB |
| 1 | gelb YELLOW JAUNE | grün GREEN VERT |
| 2 | blau BLUE BLEU | gelb YELLOW JAUNE |
| 3 | grün GREEN VERT | rot RED ROUGE |



| Betriebsarten OPERATING POSITIONS | | | | | | |
|--|----------------------|--|-----------------------------------|-----------------------------------|---------------------------------------|--|
| Kontaktfederzüge CONTACT SPRING SETS JEU DE CONTACTS | Halt STOP STOP | Wiederg. REPRODUCTION REPRODUCTION | Aufn. 1-2 REC. 1-2 ENR. 1-2 | Aufn. 3-4 REC. 3-4 ENR. 3-4 | Varlauf FAST WIND MARCHÉ RAPIDE | Netz aus MAINS OFF INTERRUPTEUR SECTEUR |
| Drucktastenagg. PUSH BUTTON BLOCK BLOC-TOUCHES | i1 | | | | | |
| Geschw.-Umsch. SPEED SWITCH SPEED SELECTOR | k1 | | | | | |
| Drucktastenagg. PUSH BUTTON BLOCK BLOC-TOUCHES | w1 | | | | | |
| Kopfräger HEAD BASE ASSY SUPPORT-TÊTE | u1 | | | | | |
| | u2 | | | | | |

| CONTACTS | | CHANNEL 1 | CHANNEL 2 |
|---------------|-----|--|-----------|
| 138, 145, 137 | 146 | 147, 149, 150, 148, 152, 151, 154, 153 | 155, 156 |
| 245, 237 | 246 | 247, 249, 250, 248, 252, 251, 254, 253 | 255, 256 |
| 125 | 126 | 127, 128 | 129 |
| 225 | 226 | 227, 228 | 229 |
| | | 230, 231, 232, 245, 233 | 234 |
| | | 235 | 236 |
| | | 237 | 238 |
| | | 239, 240, 241 | 242 |
| | | 243, 242 | 244 |
| | | 245 | 246 |
| | | 247, 248, 249, 250, 251, 252, 253, 254, 255, 256 | 257, 258 |
| | | 259, 260, 261, 262, 263, 264, 265 | 266, 267 |
| | | 268, 269, 270 | 271, 272 |
| | | 273, 274, 275, 276, 277, 278, 279, 280 | 281, 282 |
| | | 283, 284, 285, 286, 287, 288, 289, 290 | 291, 292 |
| | | 293, 294, 295, 296, 297, 298, 299, 300 | 301, 302 |
| | | 303, 304, 305, 306, 307, 308, 309, 310 | 311, 312 |
| | | 313, 314, 315, 316, 317, 318, 319, 320 | 321, 322 |
| | | 323, 324, 325, 326, 327, 328, 329, 330 | 331, 332 |
| | | 333, 334, 335, 336, 337, 338, 339, 340 | 341, 342 |
| | | 343, 344, 345, 346, 347, 348, 349, 350 | 351, 352 |
| | | 353, 354, 355, 356, 357, 358, 359, 360 | 361, 362 |
| | | 363, 364, 365, 366, 367, 368, 369, 370 | 371, 372 |
| | | 373, 374, 375, 376, 377, 378, 379, 380 | 381, 382 |
| | | 383, 384, 385, 386, 387, 388, 389, 390 | 391, 392 |
| | | 393, 394, 395, 396, 397, 398, 399, 400 | 401, 402 |
| | | 403, 404, 405, 406, 407, 408, 409, 410 | 411, 412 |
| | | 413, 414, 415, 416, 417, 418, 419, 420 | 421, 422 |
| | | 423, 424, 425, 426, 427, 428, 429, 430 | 431, 432 |
| | | 433, 434, 435, 436, 437, 438, 439, 440 | 441, 442 |
| | | 443, 444, 445, 446, 447, 448, 449, 450 | 451, 452 |
| | | 453, 454, 455, 456, 457, 458, 459, 460 | 461, 462 |
| | | 463, 464, 465, 466, 467, 468, 469, 470 | 471, 472 |
| | | 473, 474, 475, 476, 477, 478, 479, 480 | 481, 482 |
| | | 483, 484, 485, 486, 487, 488, 489, 490 | 491, 492 |
| | | 493, 494, 495, 496, 497, 498, 499, 500 | 501, 502 |



GRUNDIG

Halbspur-Vollstereo-Tonbandgerät

TK 320/TS 320