

**GRUNDIG**

# Ersatzteil Liste



List of Spare-Parts · Liste de pièces détachées · Lista ricambi

11/79

Receiver R 45a

Pos. No.	Fig. No.	Bestell-Nr./Part No. Réf./Nr. d'ordinazioni	Benennung	Description	Désignation	Denominazione
			<u>Gehäuse</u> graphit-metallic Front: metallfinish	<u>Cabinet</u> graphite-metallic Front: metallic finish	<u>Boîtier</u> graphit.-métal. façade:métal.	<u>Mobile</u> grafite-metallico Frontale:rifinit.metall
1		55016-110.01	Gehäuse kpl.	Cabinet compl.	boîtier cpl	Mobile cpl.
1.1		55010-015.01	Lüftungsgitter (graphit-met.)	Ventilation grid (graphite-met.)	grille aération (graphit.-métal)	Griglia di aereazione (grafite-metallico)
1.2	1	55014-044.01	2x Fuß	Foot	piéd	Piedino
1.3		59750-025.00	2x Fuß	Foot	piéd	Piedino
1.3a		55014-045.00	2x Fußbeinsatz	Foot insert	embout piéd	Inserto piedino
1.4		55016-130.01	Blende kpl.	Mask compl.	façade avant cpl	Mascherira cpl.
1.41	1	55014-034.01	Skalenscheibe	Dial	glace de cadran	Vetrino scala
1.42	1	55016-101.01	Zierrahmen kpl.	Ornamental frame compl.	enjolveur cpl	Cornice ornament.cpl.
1.43	1	55016-095.01	Zierblech kpl.	Ornamental plate compl.	enjolveur cpl	Lamier.ornamentale cpl.
1.4a	11	55014-040.00	Massefeder	Chassis spring	ressort	Molla di massa
1.5		50016-043.00	Deckelwanne	Recessed plate for cover	couvercle	Coperchio
1.6	11	59751-004.00	Blattfeder	Leaf spring	ressort	Molla piatta
1.7	1	55015-080.01	Deckel kpl.	Cover compl.	couvercle cpl	Coperchio cpl.
1.71		55015-085.01	Deckelblech kpl.	Cover plate compl.	couvercle cpl	Lamier.comerchio cpl.
2	11	50016-045.01	Abstimmchlüssel	Tuning key	bouton prolongateur	Chiave di sintonia
3	1	09670-847.01	5x Drehknopf	Rotary control	bouton	Manopola
4	1	09670-848.01	Drehknopf	Rotary control	bouton	Manopola
5	1	09670-860.01	2x Drehknopf	Rotary control	bouton	Manopola
6	1	09670-852.01	Drehknopf	Rotary control	bouton	Manopola
7		01560-580.00	UKW-Möbelantenne	VHF furniture aerial	antenne FM	Antenna mobile FM
8		50019-035.00	9x Abdeckscheibe	Cover plate	fenêtre	Piastrina di copertura
			<u>Gehäuse</u> graphit-metallic Front: schwarz	<u>Cabinet</u> graphite-metallic Front: black	<u>Boîtier</u> graphit.-métal. façade : noire	<u>Mobile</u> grafite-metallico Frontale:nero
1		55016-110.02	Gehäuse kpl.	Cabinet compl.	boîtier cpl	Mobile cpl.
1.1		55010-015.01	Lüftungsgitter (graphit-metallic)	Ventilation grid (graphite-metallic)	grille aération (graphit.-métal.)	Griglia di aereazione (grafite-metallico)
1.2	1	55014-044.01	2x Fuß	Foot	piéd	Piedino
1.3		59750-025.00	2x Fuß	Foot	piéd	Piedino
1.3a		55014-045.00	2x Fußbeinsatz	Foot insert	embout piéd	Inserto piedino
1.4		55016-130.02	Blende kpl.	Mask compl.	façade avant	Mascherina cpl.

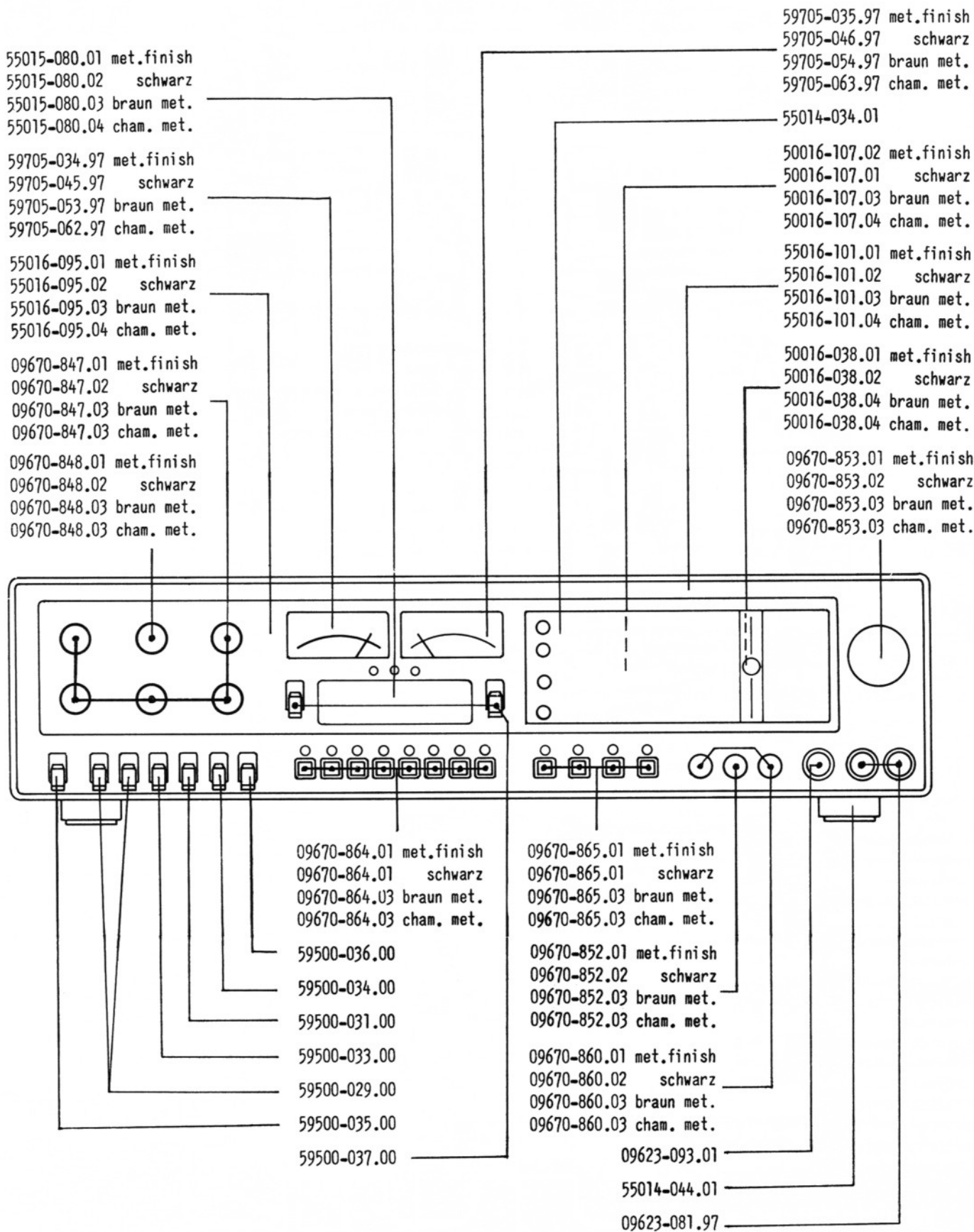
Pos. No.	Fig. No.	Bestell-Nr./Part No. Réf./Nr. d'ordinazioni	Benennung	Description	Désignation	Denominazione
1.41	1	55014-034.01	Skalenscheibe	Dial	glace de cadran	Vetrino scala
1.42	1	55016-101.02	Zierrahmen kpl.	Ornamental frame compl.	enjolveur cpl	Cornice ornament.cpl.
1.43	1	55016-095.02	Zierblech kpl.	Ornamental plate compl.	enjolveur cpl	Lamier. ornament.cpl.
1.4a	11	55014-040.00	Massefeder	Chassis spring	ressort	Molla di massa
1.5		50016-043.00	Deckelwanne	Recessed plate for cover	couvercle	Coperchio
1.6	11	59751-004.00	Blattfeder	Leaf spring	ressort	Molla piatta
1.7	1	55015-080.02	Deckel kpl.	Cover compl.	couvercle cpl	Coperchio cpl.
1.71		55015-085.02	Deckelblech kpl.	Cover plate compl.	couvercle cpl	Lamier.coperchio cpl.
2	11	50016-045.01	Abstimmsschlüssel	Tuning key	bouton prolongateur	Chiave di sintonia
3	1	09670-847.02	5x Drehknopf	Rotary control	bouton	Manopola
4	1	09670-848.02	Drehknopf	Rotary control	bouton	Manopola
5	1	09670-860.02	2x Drehknopf	Rotary control	bouton	Manopola
6	1	09670-852.02	Drehknopf	Rotary control	bouton	Manopola
7		01560-580.00	UKW-Möbelantenne	VHF furniture aerial	antenne FM	Antenna mobile FM
8		50019-035.00	9x Abdeckscheibe	Cover plate	fenêtre	Piastrina di copertura
			<u>Gehäuse</u>	<u>Cabinet</u>	<u>Boîtier</u>	<u>Mobile</u>
			braun-metallic	Brown-metallic	brun-métal.	marrone-metallico
1		55016-110.03	Gehäuse kpl.	Cabinet compl.	boîtier cpl	Mobile cpl.
1.1		55010-015.02	Lüftungsgitter (braun-metallic)	Ventilation grid (metallic-brown)	grille aération (brun-métal)	Griglia di aereazione (marrone-metallico)
1.2	1	55014-044.01	2x Fuß	Foot	ped	Piedino
1.3		59750-025.00	2x Fuß	Foot	ped	Piedino
1.3a		55014-045.00	2x Fußbeinsatz	Foot insert	embout pied	Inserto piedino
1.4		55016-130.03	Blende kpl.	Mask compl.	façade avant cpl	Mascherina cpl.
1.41	1	55014-034.01	Skalenscheibe	Dial	glace de cadran	Vetrino scala
1.42	1	55016-101.03	Zierrahmen kpl.	Ornamental frame compl.	enjolveur cpl	Cornice ornament. cpl.
1.43	1	55016-095.03	Zierblech kpl.	Ornamental plate compl.	enjolveur cpl	Lamier. ornament. cpl.
1.4a	11	55014-040.00	Massefeder	Chassis spring	ressort	Molla di massa
1.5		50016-043.00	Deckelwanne	Recessed plate for cover	couvercle	Coperchio
1.6	11	59751-004.00	Blattfeder	Leaf spring	ressort	Molla piatta
1.7	1	55015-080.03	Deckel kpl.	Cover compl.	couvercle cpl	Coperchio cpl.
1.71		55015-085.03	Deckelblech kpl.	Cover plate compl.	couvercle cpl	Lamier. coperchio cpl.
2	11	50016-045.01	Abstimmsschlüssel	Tuning key	bouton prolongateur	Chiave di sintonia
3	1	09670-847.03	5x Drehknopf	Rotary control	bouton	Manopola
4	1	09670-848.03	Drehknopf	Rotary control	bouton	Manopola
5	1	09670-860.03	2x Drehknopf	Rotary control	bouton	Manopola
6	1	09670-852.03	Drehknopf	Rotary control	bouton	Manopola
7		01560-580.00	UKW-Möbelantenne	VHF furniture aerial	antenne FM	Antenna mobile FM
8		50019-035.00	9x Abdeckscheibe	Cover plate	fenêtre	Piastrina di copertura
			<u>Gehäuse</u>	<u>Cabinet</u>	<u>Boîtier</u>	<u>Mobile</u>
			champagner-metallic	Metallic-champagne	champagne-métal.	champagne-metallico
1		55016-110.04	Gehäuse kpl.	Cabinet compl.	boîtier cpl	Mobile cpl.
1.1		55010-015.02	Lüftungsgitter	Ventilation grid	grille aération	Griglia di aereazione
1.2	1	55014-044.01	2x Fuß	Foot	ped	Piedino
1.3		59750-025.00	2x Fuß	Foot	ped	Piedino
1.3a		55014-045.00	2x Fußbeinsatz	Foot insert	embout pied	Inserto piedino
1.4		55016-130.05	Blende kpl.	Mask compl.	façade avant	Mascherina cpl.

Pos. No.	Fig. No.	Bestell-Nr./Part No. Réf./Nr. d'ordinazioni	Benennung	Description	Désignation	Denominazione
1.41	1	55014-034.01	Skalenschiene	Scale bar	glace de cadran	Guida scala
1.42	1	55016-101.04	Zierrahmen kpl.	Ornamental frame compl.	enjoliveur cpl	Cornice ornament. cpl.
1.43	1	55016-095.04	Zierblech kpl.	Ornamental plate compl.	enjoliveur cpl	Lamier. ornament. cpl.
1.49	11	55014-040.00	Massefeder	Chassis spring	ressort	Molla di massa
1.5		50016-043.00	Deckelwanne	Recessed plate for cover	couvercle	Coperchio
1.6	11	59751-004.00	Blattfeder	Leaf spring	ressort	Molla piatta
1.7	1	55015-080.04	Deckel kpl.	Cover compl.	couvercle cpl	Coperchio cpl.
1.71		55015-085.04	Deckelblech kpl.	Cover plate compl.	couvercle cpl	Lamier. coperchio cpl.
2	11	50016-045.01	Abstimmchlüssel	Tuning key	bouton prolongateur	Chiave di sintonia
3	1	09670-847.03	5x Drehknopf	Rotary control	bouton	Manopola
4	1	09670-848.03	Drehknopf	Rotary control	bouton	Manopola
5	1	09670-860.03	2x Drehknopf	Rotary control	bouton	Manopola
6		09670-852.03	Drehknopf	Rotary control	bouton	Manopola
7		01560-580.00	UKW-Möbelantenne	VHF furniture aerial	antenne FM	Antenna mobile FM
8		50019-038.01	9x Abdeckscheibe	Cover plate	fenêtre	Piastrina di copertura

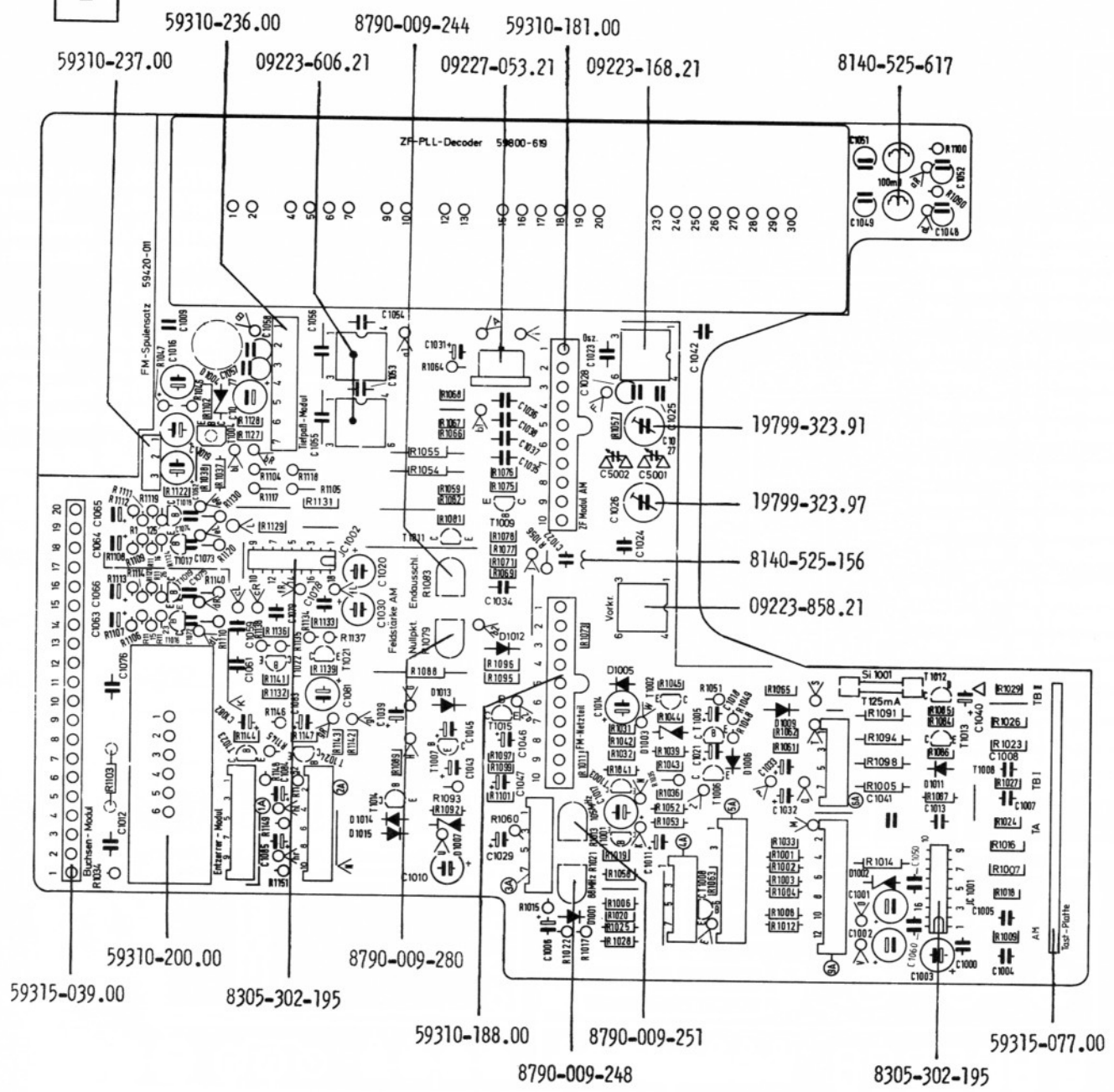
ab Pos. 21 sind alle Ausführungen gleich: From Pos. 21 all versions are identical

Toutes les versions sont identiques à p. pos. 21: sioni sono uguali:

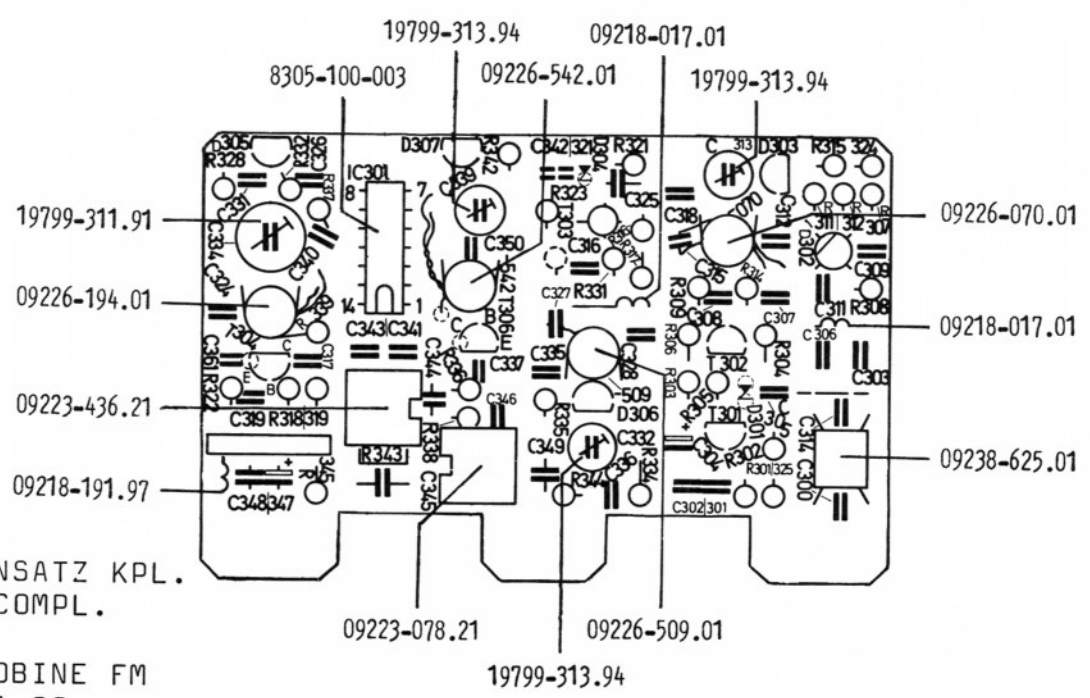
			<u>CHASSISTEILE</u>	<u>Chassis Parts</u>	<u>Chassis</u>	<u>Parti del chassis</u>
21	1	50016-107.04	Skala kpl. (champ.-met.)	Scale compl. (metallic-champagne)	cadran cpl (champ.-mét.)	Scala cpl. (cham.-metallico)
21	1	50016-107.03	Skala kpl. (braun-met.)	Scale compl. (metallic-brown)	cadran cpl (brun-mét.)	Scala cpl. (marrone-metallico)
21	1	50016-107.01	Skala kpl.(schwarz)	Scale compl.(black)	cadran cpl (noir)	Scala cpl. (nero)
21	1	50016-107.02	Skala kpl.(met.)	Scale compl. (metallic)	cadran cpl (mét.)	Scala cpl. (metallico)
23	1	09670-853.01	Drehknopf kpl.(met.)	Rotary control compl.(met.)	bouton cpl (mét.)	Manopola cpl. (metall.)
23	1	09670-853.03	Drehknopf kpl. (braun-met./ und champ.-met.)	Rotary control compl. (metallic-brown/ and metallic-champagne)	bouton cpl (brun-mét/ et champ.-mét.)	Manopola cpl. (marrone-metallico/e champagne-metallico)
23	1	09670-853.02	Drehknopf kpl.(schwarz)	Rotary control compl.(black)	bouton cpl (noir)	Manopola cpl. (nero)
24	1	59705-034.97	Anzeigeeinstrument (met.)(Frequenzanzeige)	Frequency meter (metallic)	indicateur (mét.)(ind. fréquence)	Strumento indicatore (met.)(indicat.freq.)
24	1	59705-045.97	Anzeigeeinstrument (schwarz)(Frequenzanz.)	Frequency meter (black)	indicateur (noir)(ind. fréquence)	Strumento indicatore (nero)(indicat.freq.)
24	1	59705-053.97	Anzeigeeinstrument (braun-met.) (Frequenzanzeige)	Frequency meter (metallic-brown)	indicateur (brun-mét.) (indication fréquence)	Strumento indicatore (marrone-metallico) (indicatore di frequen.
24	1	59705-062.97	Anzeigeeinstrument (champagner-met.) (Frequenzanzeige)	Frequency meter (metallic-champagne)	indicateur (champagne-mét.) (indication fréquence)	Strumento indicatore (champagne-metallico) (indicat.di frequenza)
25	1	59705-035.97	Anzeigeeinstrument (metallic)(Feldstärkem.)	Field strength meter (metallic)	indicateur (mét.) (intensité de champ)	Strumento indicatore (metallico)(ind.int.cam.
25	1	59705-046.97	Anzeigeeinstrument (schwarz)(Feldstärkem.)	Field strength meter (black)	indicateur (noir) (intensité de champ)	Strumento indicatore (nero)(ind.int.campo)
25	1	59705-054.97	Anzeigeeinstrument (braun-metallic) (Feldstärkem.)	Field strength meter (metallic-brown)	indicateur (brun-métal.) (intensité de champ)	Strumento indicatore (marrone-metallico) (indicat.inten.campo)
25	1	59705-063.97	Anzeigeeinstrument (champagner-metallic) (Feldstärkem.)	Field strength meter (metallic-champagne)	indicateur (champagne-métal.) (intensité de champ)	Strumento indicatore (champagne-metallico) (indicat.inten.campo)
26	1	59500-037.00	2x Kippschalter kpl. 2-fach/Muting u. AFC	Tumbler switch compl. 2-way/Muting and AFC	interrupteur cpl Muting et AFC	Commutat.a bilico cpl. 2 x/Muting e AFC



2



3



Pos. No.	Fig. No.	Bestell-Nr./Part No. Réf./Nr. d'ordinazioni	Benennung	Description	Désignation	Denominazione
30		59311-305.00	Anzeigeplatte	Indication plate	plaquette affichage	Piastra indicazione
31	11	50016-051.00	4x Kabelfeder	Cable spring	ressort	Molla del cavo
32	1	09623-081.97	2x Stereo-Kopfhörerbuchse	Stereo headphone socket	embase casque stéréo	Presa cuffia stereo
33		50016-057.00	4x Diodenbuchse	Diode socket	embase TA/TB	Presa diodo
34	1	50016-038.02	Zeiger (schwarz)	Pointer (black)	aiguille (noir)	Indice (nero)
34	1	50016-038.04	Zeiger (braun-met. und champagner-met.)	Pointer (metallic-brown and metallic-champagne)	aiguille (brun-mét. et champagne-mét.)	Indice (marrone-metallico e champagne-metallico)
35	11	50016-040.00	Zeigerkappe	Pointer cap	capot	Cappa indice
36		09612-155.97	Antriebsrad	Drive wheel	galet	Puleggia di sintonia
37		09619-833.00	Ringfeder	Coil spring	ressort	Molla ad anello
38		50016-079.00	Kabelstange	Cable rod	tige	Asta cavo
39		59701-023.97	DREHKONDENSATOR KPL.	Tuning capacitor compl.	condensateur variable	Condensatore var.cpl.
39.1		59703-093.00	ABSTIMMWIDERSTAND	Tuning resistor	potentiomètre	Resistenza di sintonia
40		50016-031.00	Rückwanddeckel	Back panel cover	couvercle	Cop. pannello poster.
41		50016-081.00	Rollenwinkel	Roller bracket	équerre	Supporto rullo
42		00813-001.02	8x Seilrolle Ø 11	Pulley Ø 11	poulie	Puleggia Ø 11
43		09603-452.00	6x Hülse	Bush	douille	Guaina
44		09603-456.00	2x Hülse	Bush	douille	Guaina
45		09612-833.00	SCHWUNGRAD	Flywheel	cabestan	Volano
46	11	50016-033.00	Lagerplatte	Bearing plate	support palier	Piastra boccola
46a	11	59751-011.00	Massefeder f. Antrieb	Chassis spring f. drive	ressort	Molla massa p. trazione
47		8138-003-005	Polyamidschnur Ø 0,3	Polyamide cord Ø 0.3	ficelle polyamide	Cord. in plastica Ø 0,3
48		8138-005-015	Skalenseil (7x0,1)	Scale cord (7x0.1)	ficelle cadran	Funicella scala (7x0,1)
49		09619-071.00	Zugfeder (25 Wdg.)	Tension spring (25 turns)	ressort (25 sp.)	Molla di trazione (25sp)
50		09619-121.00	Zugfeder (9 Wdg.)	Tension spring (9 turns)	ressort (9 sp.)	Molla di trazione (9sp.)
51		8138-007-021	2x Antriebsschnur TE 50 P Ø 0,5 (schwarz)	Drive cord TE 50 P Ø 0.5 (black)	ficelle entraîn. TE 50 P Ø 0,5 (noir)	Funic. di sint. TE 50 P Ø 0,5 (nero)
52		09626-145.00	2x Lampenfassung	Lamp socket	support lampe	Zoccolo lampada
53		09619-806.00	4x Druckfeder (10 Wdg.)	Compression spring (10 turns)	ressort (10 sp.)	Molla di press. (10sp.)
68		09690-358.09	Netzleitung kpl.	Mains lead compl.	câble secteur cpl	Cavo rete cpl.
68		09690-358.04	Netzleitung kpl. (f.GB)	Mains lead compl. (f.GB)		Cavo rete cpl. (p.GB)
68		09690-358.05	Netzleitung (f. Exp.)	Mains lead (f. Exp.)		Cavo rete (p. Exp)
70		09666-448.00	Netzkabel-Zugentlastung	Mains lead cord grip	collier	Fermacavo cavo rete
71		8316-113-009	Lampe 6-7V/0,3A	(LA 1002/1003) Lamp	lampe	Lampada 6-7V/0,3A
72		8316-453-004	Zwerglampe 7V/80mA	(LA 1001) Miniature lamp	lampe	Lamp. miniat. 7V/80mA
73		8309-990-124	LE-Diode CQY 40 lg.	(D 5006)	diode électro-lum.	Diodo LED CQY 40 lg.
74		8309-990-213	LE-Diode CQY 72 lg.	(D 5004/5005)	diode électro-lum.	Diodo LED CQY 72 lg.
75		8309-990-314	LE-Diode CQY 74 lg.	(D 5007)	diode électro-lum.	Diodo LED CQY 74 lg.
76		8705-227-051	Metalloxywiderstand 0411/120Ω/5%	(R 5002) Metal-oxide resistor	résistance métal-oxyste	Resist. ad ossido 0411/120 Ohm/5%
77		55509-008.01	8x Zierkappe (metallfinish)	Ornamental cap (metallic finish)	capot (métal.)	Coper. ornamentale (rifinit. in metallo)
77		55509-008.02	8x Zierkappe (schwarz)	Ornamental cap (black)	capot (noir)	Coper. ornamentale (nero)
77		55509-008.03	8x Zierkappe (braun-met. und champagner-met.)	Ornamental cap (metallic-brown and metallic-champagne)	capot (brun-mét. et champagne-mét.)	Coper. ornamentale (marrone-metallico e champagne-metallico)
78		55509-009.01	Zierkappe mit Markierung (metallfinish)	Ornamental cap with marking (metallic finish)	capot avec repère (métal.)	Coper. ornamentale con marca (rifinit. in metallo)
78		55509-009.02	Zierkappe mit Markierung (schwarz)	Ornamental cap with marking (black)	capot avec repère (noir)	Coper. ornamentale con marca (nero)
78		55509-009.03	Zierkappe mit Markierung (braun-met. und champagner-met.)	Ornamental cap with marking (metallic-brown and metallic-champagne)	capot avec repère (brun-mét. et champagne-mét.)	Coper. ornamentale con marca (marr.-metallico e champagne-metallico)
79	1	09670-864.01	8x Tastenknopf (metallfinish-schwarz)	Push button (black metallic finish)	touche (mét.-noir)	Pulsante (rifiniture in metallo-nero)

Pos. No.	Fig. No.	Bestell-Nr./Part No. Réf./Nr. d'ordinazioni	Benennung	Description	Désignation	Denominazione
79	1	09670-864.03	8x Tastenkopf (braun-met. und champagner-met.)	Push button (metallic brown and metallic champagne)	touche (brun-métal. et champagne-mét.)	Pulsante (marr.-metallico e champagne-metallico)
80	1	09670-865.01	4x Tastenkopf (metallfinish/schwarz)	Push button (Black metallic finish)	touche (métal/noir)	Pulsante (rif.in metallo/nero)
80	1	09670-865.03	4x Tastenkopf (braun-met. und champagner-met.)	Push button (metallic brown and metallic champagne)	touche (brun-mét. et champagne-mét.)	Pulsante (marr.metallico e champagne-metallico)
97	2	09223-858.21	MW-Vorkreis-spule	MW-RF coil pack	bobine accord PO	Bobina circ.ing. OM
98	2	09223-606.21	2x Filter-Spule (19KHz)	Coil (19kHz)	bobine	Bobina filtro (19kHz)
99	2	09223-168.21	MW-Oszillatortspule	MW oscillator coil	bobine osc. PO	Bobina oscillat.OM
100		09647-650.97	Ferrit-Abgleichkern (f.Nr.97/98/99)	Ferrite tuning slug	noyau (p. N°97/98/99)	Nucleo taratura ferrite (p.Nr.97/98/99)
101		09647-950.97	Rahmenkern (f.Nr.97/98)	Frame core	noyau (p. N° 97/98)	Nucleo avvolgente (p.Nr.97/98)
102	2	09227-053.21	NF-Drossel	AF choke	bobine BF	Impedenza BF
104	2	8140-525-617	2x Ferritdrossel	Ferrite choke	bobine	Imped.in ferrite
105	2	8140-525-156	HF-Drossel 560uH/10%	RF choke	bobine HF	Impedenza AF 560uH/10%
106		09621-113.02	2x Sicherungshalter	Fuse holder	support fusible	Supporto fusibile
103	2	8305-305-059	Integr. Schaltung SAS 590	(IC 1001) Integr. circuit	circuit intégré	Circuito integrato SAS 590
109	2	8305-302-195	Integr. Schaltung TDA 1195	(IC 1002) Integr. circuit	circuit intégré	Circuito integrato TDA 1195
110		8302-220-005	Transistor BF 254	(T 1007)	transistor	Transistore BF 254
111		8302-202-543	Transistor BC 548 B	(T 1002)	transistor	Transistore BC 548 B
112		8302-200-548	Transistor BC 548 C	(T1006/1011)	transistor	Transistore BC 548 C
113		8302-202-538	Transistor BC 548	(T 1014)	transistor	Transistore BC 548
114		8302-200-550	Transistor BC 549 B	(T 1009)	transistor	Transistore BC 549 B
115		8302-200-551	Transistor BC 549 C	(T 1015)	transistor	Transistore BC 549 C
116		8302-202-555	9x Transistor BC 550 C		transistor	Transistore BC 550 C
117		8302-202-560	Transistor BC 558 C	(T 1005)	transistor	Transistore BC 558 C
118		8302-200-176	Transistor BC 328-40	(T 1012)	transistor	Transistore BC 328-40
119		8302-202-558	Transistor BC 558	(T 1013)	transistor	Transistore BC 558
120		8302-200-188	Transistor BC 337-25	(T 1003)	transistor	Transistore BC 337-25
121		8302-200-169	Transistor BC 338-25	(T 1008)	transistor	Transistore BC 338-25
122		8302-210-415	Transistor BD 415	(T 1004)	transistor	Transistore BD 415

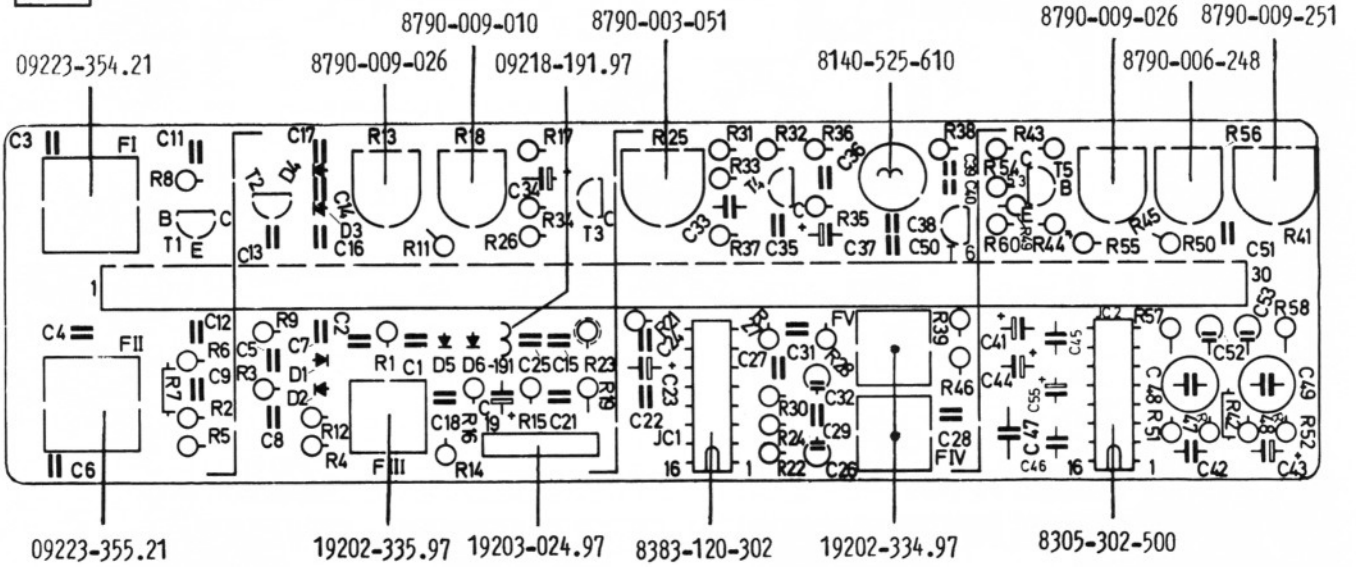
Pos. No.	Fig. No.	Bestell-Nr./Part No. Réf./Nr. d'ordinazioni	Benennung	Description	Désignation	Denominazione
123		8309-201-007	Diode BA 181	diode BA 181	diode	diodo
124		8309-701-109	Zener-Diode BZX 83/C8/V2	(D1002)zener-diode BZX 83	diode zener	diodo zener
125		8309-702-010	Zener-Diode BZX 83/C10	(D1003)zener-diode BZX 83	diode zener	diodo zener
126		8309-701-107	Zener-Diode BZX 83/C5 /V6	(D1007)zener-diode BZX 83	diode zener	diodo zener
127		19799-120.01	Zener-Diode ZPD 20	(D1004)zener-diode ZPD 20	diode zener	diodo zener
128	2	19799-323.91	Trimmer 3/15pF	(C1027)min.pre-set cap.	cond. ajust.	trimmer capacitivo
129	2	19799-323.97	Trimmer 3/15pF	(C1026)min.pre-set cap.	cond. ajust.	trimmer capacitivo
130		8705-227-085	Metalloxydwiderstand 0411/3,3K $\Omega$ /5%	(R1103)metal oxide resis. 0411/3,3K $\Omega$ /5%	résist. métal-oxyde	resistenza ad ossido
131	2	8790-009-244	Einstellregler 3K $\Omega$	(R1083)min.pre-set pot.	pot. ajust.	trimmer ohmico
132	2	8790-009-248	Einstellregler 5K $\Omega$	(R1021)min.pre-set pot.	pot. ajust.	trimmer ohmico
133	2	8790-009-251	Einstellregler 10K $\Omega$	(R1013)min.pre-set pot.	pot. ajust.	trimmer ohmico
134	2	8790-009-280	Einstellregler 2M $\Omega$	(R1079)min.pre-set pot.	pot. ajust.	trimmer ohmico
135		8700-239-087	6x Widerstand B 0309 NB/3,9K $\Omega$	6x resistor B 0309 NB/3,9K $\Omega$	résistance	resistenza
136		8700-339-012	Widerstand Z 0309 NB/330 $\Omega$	(R1025/1028)resistor	résistance	resistenza
137		8700-229-063	Widerstand (R1041) B 0207 NB/390 $\Omega$	(R1027)resistor B 0207 NB/390 $\Omega$	résistance	resistenza
139		8700-339-023	Widerstand Z 0309 NB/3,9K $\Omega$	(R1102)resistor Z 0309 NB/3,9K $\Omega$	résistance	resistenza
140		8700-259-069	Widerstand B 0414 NB/680 $\Omega$	(R1104/1105/1118)resis. B 0414 NB/680 $\Omega$	résistance	resistenza
141		8700-259-071	Widerstand B 0414 NB/820 $\Omega$	(R1117)resistor B 0414 NB/820 $\Omega$	résistance	resistenza
			<u>FM-Spulensatz</u> 59420-011.00	<u>FM-unit</u> 59420-011.00	<u>Bloc FM</u>	<u>Gruppo bobine FM</u> 59420-011.00
149		59420-011.00	FM-Spulensatz kpl.	FM-unit compl.	bloc FM cpl.	gruppo bobine FM com.
150	3	09226-070.01	UKW-Eingangskreissspule	FM-input circ. coil pack	bobine entrée FM	bobina ingresso FM
151	3	09226-509.01	UKW-Vorkreissspule	FM-RF-coil pack	bobine accord FM	bobina ingresso FM
152	3	09226-542.01	UKW-Zwischenkreissspule	FM-interm.coil pack	bobine accord FM	bobina intermedia FM
152a		09647-681.97	UKW-Abgleichkern (f.Nr.150/151/152)	alignm. core (f.No.150/151/152)	noyau (p.N.150/151/152)	nuclio di taratura (p.N. 150/151/152)
153	3	09226-194.01	UKW-Oszillatorsspule	FM-oscill. coil pack	bobine osc. FM	bobina osc. FM
153a		09647-656.97	Abgleichkern (f.Nr.153)	alignm. core (f.No.153)	noyau (p.N. 153)	nuclio di taratura (p.N. 153)
154	3	09223-078.21	ZF-Spule	IF-coil	bobine FI	bobina FI
155	3	09223-436.21	ZF-Spule	IF-coil	bobine FI	bobina FI
156		09647-684.97	Abgleichkern (f.Nr.154/155)	alignment core (f.No.154/155)	noyau (pr N° 154/155)	nucleo di taratura
157	3	09218-191.97	Ferritdrossel 27 $\mu$ H	ferrite choke	bobine	impedenza in ferrite
158	3	09218-017.01	HF-Drossel	HF-choke	bobine HF	impedenza AF
159	3	09238-625.01	UKW-Eingangsübertrager	FM-input transformer	transfo entrée FM	trasformat.ingresso FM
160		09647-020.97	8x Ferritperle	ferrite bead	perle ferrite	perlina in ferrite
162		8302-220-901	Transistor BF 900 G	(T303)transistor BF 900	transistor	transistor
163		8302-220-936	Transistor BF 936	(T304/306)transistor	transistor	transistor
164		8302-200-554	Transistor BC 550 C	(T301/302)transistor	transistor	transistor
165		8309-510-198	Diode BB 204 (blau)	(D305)diode BB 204(blue)	diode (bleu)	diodo (blu)
166		8309-510-197	Diode BB 204 (grün)	(D303/306/307)diode	diode (vert)	diodo (verde)
167		8309-701-031	Zener-Diode BZX 83/C3/V9	(D304)zener-diode BZX 83	diode zener	diodo zener
168		8309-706-107	Diode MZF 6,8	(D301)diode MZF 6,8	diode	diodo
169		8305-302-053	Integr. Schaltung TDA 1053 A	(IC 302)integr. circuit TDA 1053 A	circuit intégré	circuito integrato
170	3	8305-100-003	Integr. Schaltung S 042 P	(IC 301)integr. circuit S 042 P	circuit intégré	circuito integrato



Pos. No.	Fig. No.	Bestell-Nr./Part No. Réf./Nr. d'ordinazioni	Benennung	Description	Désignation	Denominazione
171	3	19799-313.94	Trimmer 3,5/13pF	(C313/332/339) min.pre-set cap.	cond. ajust.	trimmer capacitivo
172	3	19799-331.91	Trimmer 2/6pF	(C334)min.pre-set cap.	cond. ajust.	trimmer capacitivo
173		8700-201-041	Widerstand B 0207NB/47Ω	(R331)resistor B 0207NB/47Ω	résistance	resistenza
174		8700-201-061	Widerstand B 0207 NB/330Ω	(R343)resistor B 0207 NB/330Ω	résistance	resistenza
175		59310-238.00	FM-SPULEN-PLATTE	FM-coil set print.circuit	C.I. bobines FM	piastra bobine FM
			<u>ZF-PLL-Decoder-Steckmodul</u>	parts for IF-PLL-decoder module	<u>Module décodeur FI-PLL</u>	<u>Modulo decoder FI-PLL</u>
190		59800-619.00	ZF-PLL-Decoder-Steckmodul	IF-PLL-decoder module	module décod. FI-PLL cpl.	modulo decoder
192	4	09223-354.21	ZF-Filter	IF-filter	FI	filtro FI
193	4	09223-355.21	ZF-Filter	IF-filter	FI	filtro FI
194		09647-652.97	Ferritabgleichkern (f.Nr.192/193)	ferrite alignm.core (f.No.192/193)	noyau (pr N° 192/193)	nucleo di taratura in ferrite
195		09647-951.97	Rahmenkern (f.Nr.192/193)	frame core (f.No.192/193)	noyau (pr N° 192/193)	nucleo a cornice
196	4	19202-334.97	2x ZF-Filter	IF-filter	FI	filtro FI
197	4	19202-335.97	ZF-Filter	IF-filter	FI	filtro FI
199	4	8140-525-610	Ferritdrossel 22μH/5%	ferrite choke 22μH/5%	bobine ferrite	impedenza in ferrite
200	4	09218-191.97	Ferritdrossel	ferrite choke 27μH	bobine ferrite	impedenza in ferrite
201	4	19203-024.97	Ker.-Filter SFJ 10,7	cer. filter SFJ 10,7	FI	filtro FI
202		8302-220-033	Transistor BF 240	(T1)transistor BF 240	transistor	transistor
203		8302-222-040	Transistor BF 440 (T6)	(T2)transistor BF 440	transistor	transistor
204		8302-202-543	Transistor BC 548 B	(T3)transistor BC 548 B	transistor	transistor
205		8302-202-560	Transistor BC 558 C	(T5)transistor BC 558 C	transistor	transistor
206		8302-202-561	Transistor BC 559 C	(T4)transistor BC 559 C	transistor	transistor
207		8309-001-012	Diode AA 119	(D3/4/5)diode AA 119	diode	diodo
208		8309-201-055	Diode BA 317	(D1/2/6)diode BA 317	diode	diodo
209	4	8383-120-302	Integr. Schaltung TCA 420 A	(IC 1)integr. circuit TCA 420 A	circuit intégré	circuito integrato
210	4	8305-302-500	Integr. Schaltung TCA 4500 A	(IC 2)integr. circuit TCA 4500 A	circuit intégré	circuito integrato
211	4	8790-003-051	Einstellregler 10KΩ	(R25)min.pre-set pot.	pot. ajust.	trimmer ohmico
212	4	8790-006-248	Einstellregler 5KΩ	(R56)min.pre-set pot.	pot. ajust.	trimmer ohmico
213	4	8790-009-251	Einstellregler 10KΩ	(R41)min.pre-set pot.	pot. ajust.	trimmer ohmico
214	4	8790-009-010	Einstellregler 1KΩ	(R18)min.pre-set pot.	pot. ajust.	trimmer ohmico
215	4	8790-009-026	Einstellregler 250KΩ	(R13/45)min.pre-set pot.	pot. ajust.	trimmer ohmico
216		8700-201-057	Widerstand B0207 NB	(R3/4)resistor B 0207 NB	résistance	resistenza
217		8700-196-043	Widerstand B0204 NB/56Ω	(R23) resistor B0204 NB	resistance	resistenza
230	2	59310-236.00	TIEFPAS-MODUL-PLATTE KPL.	low-pass filter module	C.I.passe-bas cpl.	modulo passa-basso
231		8302-202-555	Transistor BC 550 C	(T651/652)transistor	transistor	transistor
240	2	59310-237.00	FM-REGEL-MODUL-PLATTE KPL.	FM-control module compl.	C.I. régl. FM cpl.	modulo regolatore FM
241		09647-020.97	2x Ferritperle	ferrite bead	perle ferrite	perlina in ferrite
242		19799-105.02	Zener-Diode ZPD 3,6	(D491)zener-diode ZPD 3,6	diode zener	diodo zener
243		8790-292-267	Einstellregler 220KΩ	(R492)min.pre-set pot.	pot. ajust.	trimmer ohmico
250	2	59315-077.00	TAST-PLATTE KPL. 4-Fach	plate compl.	C.l. cpl.	piastra compl.
251		59752-017.00	Diodehalter 4-fach	holder 4-fold	support diode	diodo supporto
252		59500-044.01	4x Kurzhub-Schalter 2-pol.	switch 2-pole	interrupteur	commutatore
253		8309-920-086	LE-Diode CQY 86	(D10...13) diode	diode	diodo
255		59310-239.00	DIODEN-MODULPLATTE KPL.	diode module compl.	C.l. diodes cpl.	modulo diodi compl.
258		8309-920-085	LE-Diode CQY 85	(D5001/5003)diode	diode	diodo
259		8309-920-086	LE-Diode CQY 86	(D5002) diode	diode	diodo

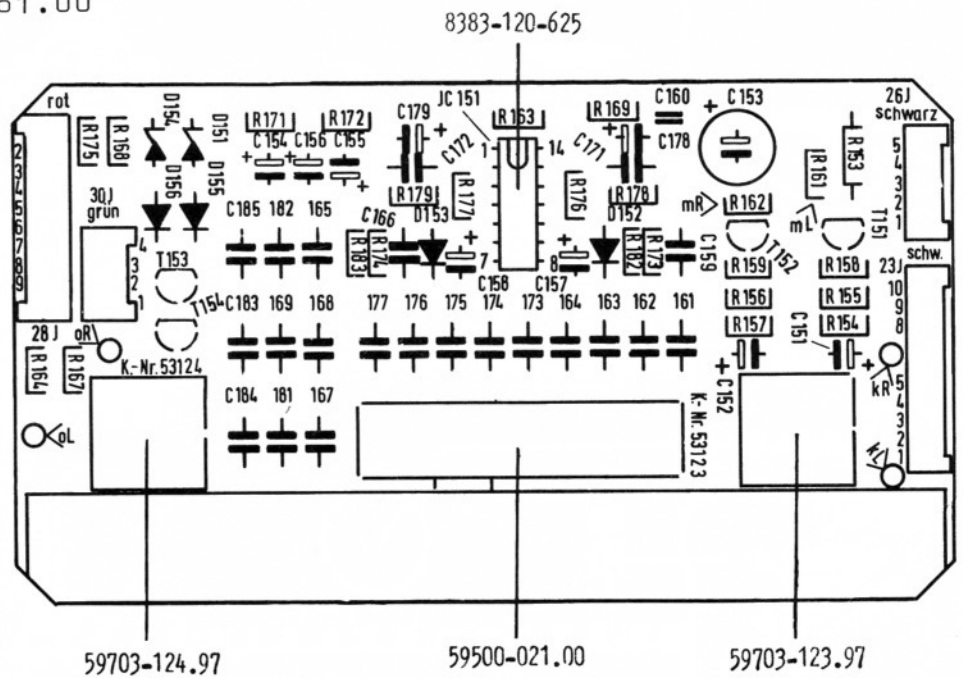
ZF-PLL-DECODER-STECKMODUL  
 IF-PLL-DECODER-MODULE  
 MODULE DECODEUR FI-PLL  
 MODULO DECODER FI-PLL  
 59800-619.00

4



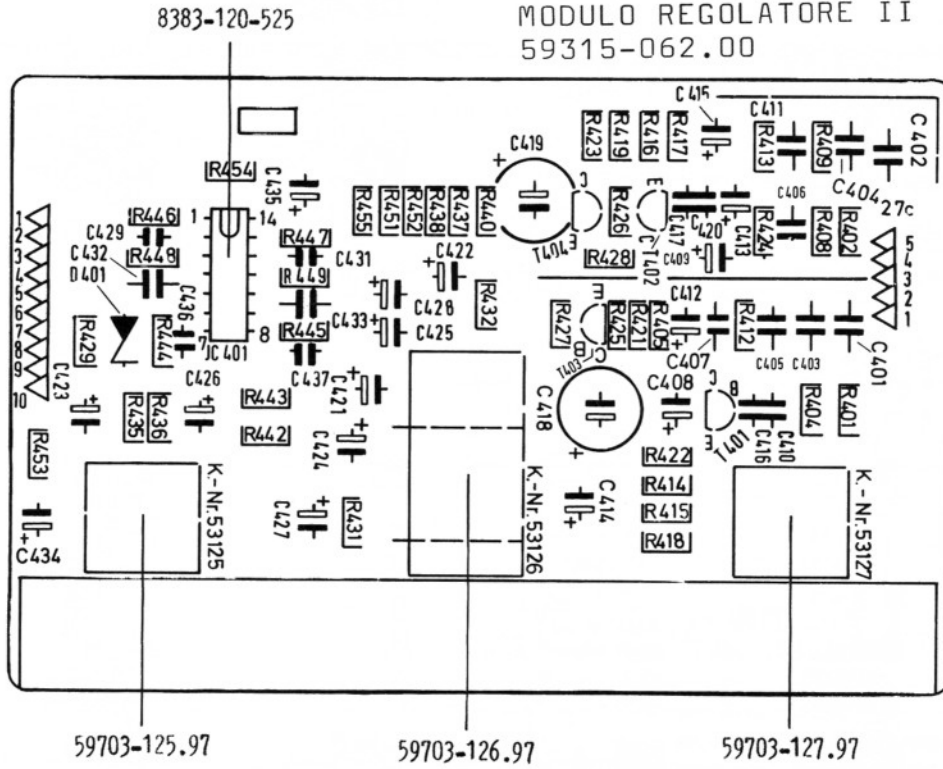
5

REGLER-MODUL-PLATTE I  
 VOLUME BALANCE MODULE  
 C.I.POT. I  
 MODULO REGOLATORE I  
 59315-061.00



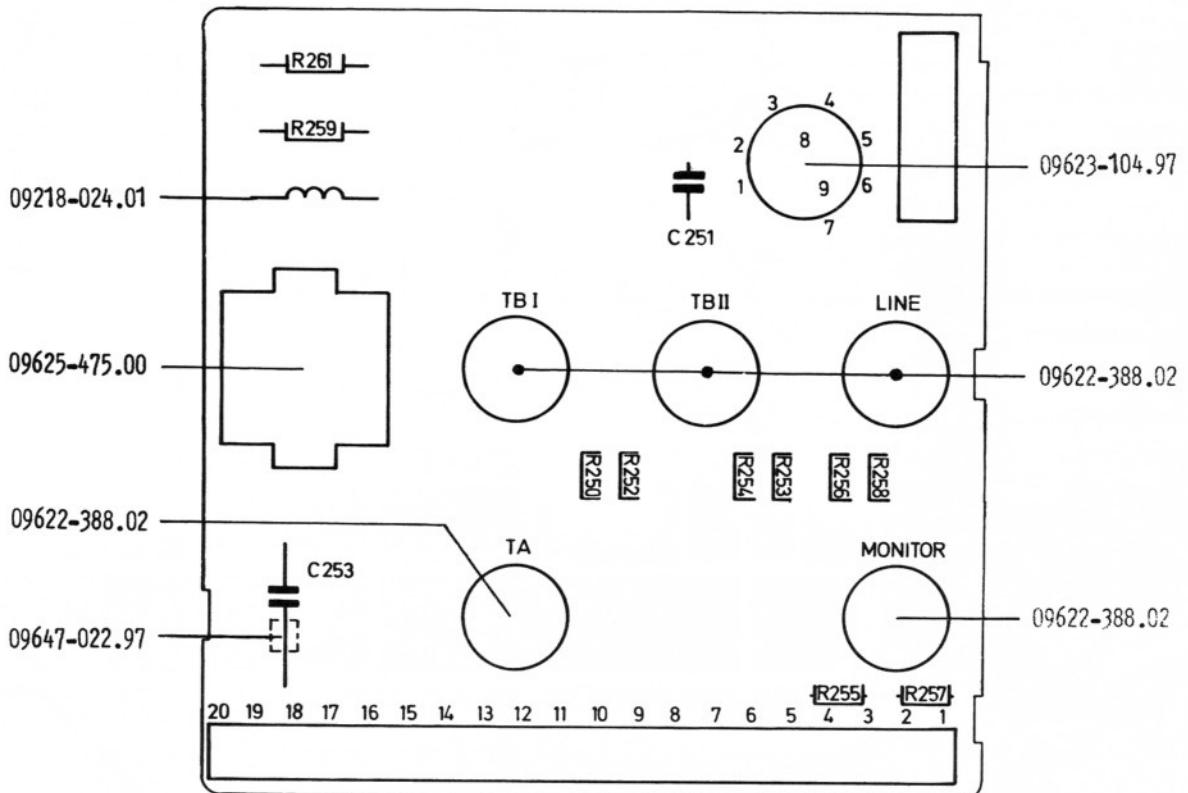
6

REGLER-MODUL-PLATTE II  
 TONE CONTROL MODULE II  
 C.I. POT. II  
 MODULO REGOLATORE II  
 59315-062.00



7

BUCHSEN-MODUL-PLATTE  
 SOCKET MODULE  
 C.I. EMBASES  
 PIASTRA MODULO PRESE  
 59315-039.00



Pos. No.	Fig. No.	Bestell-Nr./Part No. Réf./Nr. d'ordinazioni	Benennung	Description	Désignation	Denominazione
			<u>Tunoscope-Multipath-Modul-Platte</u>	<u>parts for tunoscope module</u>	<u>C.I. tunoscope "multipath"</u>	<u>Modulo tunoscope -</u>
270		59311-029.00	TUNOSCOPE-MULTOP.-MODULPL. KPL.	tunoscope module	circuit imprimé tunoscope cpl.	modulo compl.
273	09223-606.21	2x	Filter-Spule (19KHz)	filter coil(19KHz)	bobine	bobina filtro
273.1	09647-650.97		Ferrit-Abgleichkern	ferrite choke	noyau	nucleo tarat.ferrite
273.2	09647-950.97		Rahmenkern	frame core	noyau	nucleo a cornice
274	8305-204-324		Integr. Schaltung LM 324 N	(IC 501)integr. circuit LM 324 N	circuit intégré	circuito integrato
276	8302-202-543		Transistor BC 548 B	(T501/503)transistor	transistor	transistor
277	8302-200-548		Transistor BC 548 C	(T504/505)transistor	transistor	transistor
279	8302-202-560		Transistor BC 558 C	(T502)transistor BC558C	transistor	transistor
280	8302-200-559		Transistor BC 558 B	(T506/507/508)transis.	transistor	transistor
281	8309-201-007		Diode BA 317	(D501...506)diode BA 317	diode	diodo
			<u>Regler-Modul-Platte I</u>	<u>parts for volume/balance mod.</u>	<u>Circuit imprimé potentiomètres I</u>	<u>Modulo regolatore I</u>
290		59315-061.00	REGLER-MODUL-PLATTE I	volume balance module	C.I. pot. I	modulo regolatore I
294	5	59500-021.00	DREHSCHALTER (Klangstärke)	rotary switch (tone)	commutateur (tonalité)	commutatore (toni)
295	5	59703-123.97	POTENTIOMETER 2x100KΩ KN 53123(Lautstärke)	(R151/152)potentiom. KN 53123 (volume)	potentiomètre (volume)	potenziometro (volume)
296	5	59703-124.97	POTENTIOMETER 2x6KΩ KN 53124(Balance)	(R165/166)potentiom. KN 53124(balance)	potentiomètre (balance)	potenziometro (bilanciamento)
297	5	8383-120-625	Integr. Schaltung SN 76131 NS 59	(IC151)integr. circuit SN 76131 NS59	circuit intégré	circuito integrato
298		8302-202-555	Transistor BC 550 C	(T151/152)transistor	transistor	transistor
299		8302-200-552	Transistor BC 550 B	(T153/154)transistor	transistor	transistor
300		8309-701-016	Zener-Diode BZX 83/C6/V8	(D151/154)zener-diode	diode zener	diodo zener
301		8309-201-007	Diode BA 181	(D152/153/155/156)diode	diode	diodo
302		8705-329-283	Metalloxydwiderstand 0411/2,7KΩ/10%	(R153)metal oxide resis. 0411/2,7KΩ/10%	résist. métal-oxyde	resistenza ad ossido
			<u>Regler-Modul-Platte II</u>	<u>parts for tone control module</u>	<u>Circuit imprimé potentiomètres II</u>	<u>Modulo regolatore II</u>
310		59315-062.00	REGLER-MOD.-PLATTE II KPL.	tone control module II	C.I. pot. cpl. II	modulo regolatore II
315		09647-020.97	Ferritperle	ferrite bead	perle ferrite	perlina in ferrite
316	6	59703-125.97	POTENTIOMETER 2x200KΩ KN 53125(Bässe)	(R406/407)potentiom. 2x200KΩ/KN53125(bass)	potentiomètre (graves)	potenziometro (toni bassi)
317	6	59703-127.97	POTENTIOMETER 2x100KΩ KN 53127 (Höhen)	(R403/411)potentiom. 2x100KΩ/KN 53127(treble)	potentiomètre (aigües)	potenziometro (toni alti)
318	6	59703-126.97	Potentiometer 2x100KΩ KN 53126(Klang)	(R433/434/439/441)potent. KN 53126(tone)	potentiomètre (tonalité)	potenziometro (toni)
319	6	8383-120-525	Integr. Schaltung SN 76131 NS 58	(IC 401)integr. circuit SN 76131 NS 58	circuit intégré	circuito integrato
320		8302-202-555	Transistor BC 550 C	(T403/404)transistor	transistor	transistor
321		8302-202-567	Transistor BC 560 C	(T401/402)transistor	transistor	transistor

Pos. No.	Fig. No.	Bestell-Nr./Part No. Réf./Nr. d'ordinazioni	Benennung	Description	Désignation	Denominazione
322	8309-701-124		Zener-Diode BZX 83/C24	(D401)zener-diode BZX 83	diode zener	diodo zener
323	8700-231-085		Widerstand B0309 NB	(R429)resistor B 0309 NB	résistance	resistenza
			<u>Speicher-Platte</u>	<u>parts for tuning controle module</u>	<u>C.I. mémoire</u>	<u>Piastra memoria</u>
330	59310-187.00		SPEICHER-PLATTE KPL.	tuning control module	C.I. mémoire cpl.	piastra completa
331	59410-519.00		Speichereinheit 7-fach	tuning control 7-fold	bloc mémoire	unità memoria
			<u>FM-Netzteil-Modul-Platte</u>	<u>parts for FM-stabiliser module</u>	<u>Circuit imprimé bloc secteur-FM</u>	<u>Modulo alimentazione FM</u>
340	59310-188.00		FM-NETZTEIL-MODULE KPL.	FM-stabiliser module compl.	C.I. bloc secteur FM	modulo compl.
341	8383-100-102		Integr. Schaltung TCA 530	(IC 201)integr. circuit	circuit intégré	circuito integrato
342	8302-220-036		Transistor BF 245 A	(T201)transistor BF 245 A	transistor	transistor
343	8309-201-007		Diode BA 181	(D201)diode BA 181	diode	diodo
344	8705-227-085		Metalloxydwiderstand 0411/3,3K $\Omega$ /5%	(R201) metal oxide resis. 0411/3,3K $\Omega$ /5%	résistance mét-oxycle	resistenza ad ossido
345	8790-209-251		Einstellregler 10K $\Omega$	(R203)min.pre-set pot.	pot. ajust.	trimmer ohmico
346	8700-359-013		Widerstand Z 0414 NB/3,3 $\Omega$	(R207) resistor Z 0414	resistance	resistenza
			<u>Schalter-Modul-Platte</u>	<u>parts for switch module</u>	<u>C.I. commutateur</u>	<u>Modulo commutatori</u>
350	59315-056.00		SCHALTER-MODULE-PL.KPL.	switch module compl.	C.I. commut. cpl.	modulo compl.
351	59500-035.00		Kippschalter kpl.(Aus)	toggle switch compl.(off)	inter. cpl. (arrêt)	interruttore a leva
352	59500-029.00	2x	Kippschalter kpl. 4-fach	(L 1/2)toggle switch compl.	inter. cpl.	commutatore a leva
353	59500-033.00		Kippschalter kpl.(MPX)	toggle switch compl.(MPX)	inter. cpl. (MPX)	commutatore a leva
354	59500-031.00		Kippschalter kpl. 4-fach(Lin./Cont.)	toggle switch compl. 4-fold (lin./cont.)	inter. cpl. (Lin./Con.)	commutatore a leva (lineare/contour)
355	59500-034.00		Kippschalter kpl. 2-fach(Rausch)	toggle switch compl. 2-fold (noise)	inter. cpl. (filtre anti-souffle)	commutatore a leva (fruscio)
356	59500-036.00		Kippschalter kpl. 4-fach (Monitor)	toggle switch compl. 4-fold (monitor)	inter. cpl. (Monitor)	commutatore a leva (minitor)
357	50016-155.00		Drehfeder	torsion spring	ressort	molla di torsione
358	50016-156.00	2x	Drahtfeder	form wire spring	ressort	molla di torsione
360	58003-045.00		Kontakt II	contact II	contact II	contatto II
363	19430-002.00		FM-Stereo-Drossel	FM-stereo choke	bobine stéréo FM	impedenza FM stereo
363.1	09647-922.97	2x	Schalenkernpaar	pot core pair	pot. ferrite	nucleo
364	8312-001-310		RELAIS V 23037 A 0004-A 402	relay V 23037 A 0004-A 402	relais	relle
365	8302-200-542		Transistor BC 546 B	(T608/609)transistor	transistor	transistor
366	8302-202-543		Transistor BC 548 B	(T605/606/607)trans.	transistor	transistor
367	8302-202-555		Transistor BC 550 C	(T601/602)transistor	transistor	transistor
368	8302-900-043		Transistor S 6430	(T603/604)transistor	transistor	transistor
369	8309-201-007		Diode BA 181	(D601)diode BA 181	diode	diodo
370	8309-215-009		Diode 1N 4002	(D602)diode 1N 4002	diode	diodo
371	19799-126.01		Zener-Diode MZD 47	(D603)zener-diode MZD 47	diode zener	diodo zener
372	8700-231-055		Widerstand B 0309 NB/180 $\Omega$	(R618) resistor B 0309 NB/180 $\Omega$	resistance B 0309 NB/180 $\Omega$	resistenza B 0309 NB/180 $\Omega$

Pos. No.	Fig. No.	Bestell-Nr./Part No. Réf./Nr. d'ordinazioni	Benennung	Description	Désignation	Denominazione
			<u>Programm-Modul-Platte</u> (8 -fach)	<u>Programme module PCB</u> (8-way)	<u>C.I. programmeur</u>	<u>Piastr. modulo program.</u> (8 x)
380		59315-079.00	Programm-Modulpl. kpl.	Programme module PCB	C.I. programmeur cpl	Piastr.mod.prog.cpl.
381		59752-016.00	2x Diodenhalter 4-fach	Diode holder 4-way	support diode	Supporto diodo 4 x
382		59500-044.01	8x Kurzhub-Schalter 2-pol.	Switch 2-pole	interrupteur	Commut.corsa breve 2pol
383		8140-525-003	Ferritdrossel	Ferrite choke	bobine	Impedenza in ferrite
388		8305-305-058	Integr. S haltung SAS 580	(IC 1) Integr. circuit	circuit intégré	Circuito integrato SAS 580
389		8305-305-059	Integr. Schaltung SAS 590	(IC 2) Integr. circuit	circuit intégré	Circuito integrato SAS 590
390		8309-920-086	8x LE-Diode CQY 86		diode électro-lum.	Diodo LED CQY 86
391		8309-201-055	7x Diode BA 317		diode	Diodo BA 317
400	2	59315-039.00	BUCHSEN-MODUL-PLATTE	<u>Socket Module PCB</u>	C.I. embases	Piastra modulo prese
401	7	09622-388.02	5x Zwergsteckdose	Miniature socket	embase	Pres miniaturizzata
402	7	09625-475.00	Antennenbuchse kpl.	Aerial socket compl.	embase antenne	Pres antenna cpl.
403	7	09218-024.01	HF-Drossel	RF choke	bobine HF	Impedenza AF
404	7	09647-022.97	Ferritperle	Ferrite bead	perle ferrite	Perlina in ferrite
406	7	09623-104.97	Mehrfachbuchse 10-pol.	Female connector 10-way	embase multiple 10 br.	Pres multipla 10 pol.
407		50016-059.00	Distanzstück	Spacer	entretoise	Distanziatore
			<u>ZF-Modul-Platte (AM)</u>	<u>IF-module PCB (AM)</u>	<u>C.I. FI (AM)</u>	<u>Piastra modulo FI (AM)</u>
420	2	59310-181.00	ZF-Modul-Platte kpl.	IF module PCB compl.	C.I. FI cpl	Piastra modulo FI cpl.
421	8	19202-326.97	ZF-Filter kpl.	IF filter compl.	FI	Filtro FI cpl.
422	8	19202-328.97	ZF-Filter kpl.	IF filter compl.	FI	Filtro FI cpl.
423		09647-020.97	Ferritperle	Ferrite bead	perle ferrite	Perlina in ferrite
424	8	19203-034.97	Ker.-Filter 460 KHz	Ceramic filter 460kHz	filtre céramique	Filtro ceramico 460 kHz
424		19203-035.97	Ker.-Filter 452KHz(f.BE)	Ceramic filter 452kHz(f.BE)	filtre céramique	Filtro ceram.452kHz(BE)
425	8	8383-120-401	Integr. Schaltung TCA 440	(IC 101) Integrated circuit	circuit intégré	Circuito integrato TCA 440
426		8302-200-233	Transistor BC 308 A	(T 101)	transistor	Transistore BC 308 A
427		8302-220-046	Transistor BF 255	(T 102)	transistor	Transistore BF 255
428		8309-001-106	Diode AA 143	(D 101)	diode	Diodo AA 143
429		8700-239-053	Widerstand B 0309 NB/150Ω	(R 101) Resistor	résistance	Resistenza B 0309 NB/150 Ohm
			<u>Entzerrer-Modul-Platte</u>	<u>Equaliser Module PCB</u>	<u>C.I. correcteur</u>	<u>Pias.mod.equalizzatore</u>
440	2	59310-200.00	ENTZERRER-MODULPLATTE KPL.	Equaliser module PCB compl.	C.I. correcteur cpl	Pias.mod.equalizz.cpl.
441		8383-120-525	Integr. Schaltung SN 76131 NS 58	(IC 851) Integr. circuit	circuit intégré	Circuito integrato SN 76131 NS 58
442		8309-703-230	Zener-Diode ZPD 20	(D 851)	diode zener	Diodo Zener ZPD 20
443		09647-020.97	Ferritperle	Ferrite bead	perle ferrite	Perlina in ferrite
			<u>Mischer-Modul-Platte</u>	<u>Mixer Module PCB</u>	<u>C.I. mélangeur</u>	<u>Piastra mod.miscel.</u>
450		59311-035.00	MISCHER-MODUL-PLATTE KPL.	Mixer module PCB compl.	C.I. mélangeur cpl	Piastra mod.miscel.cpl.
451		59500-020.00	Drehschalter	Rotary switch	commutateur	Commutatore rotativo

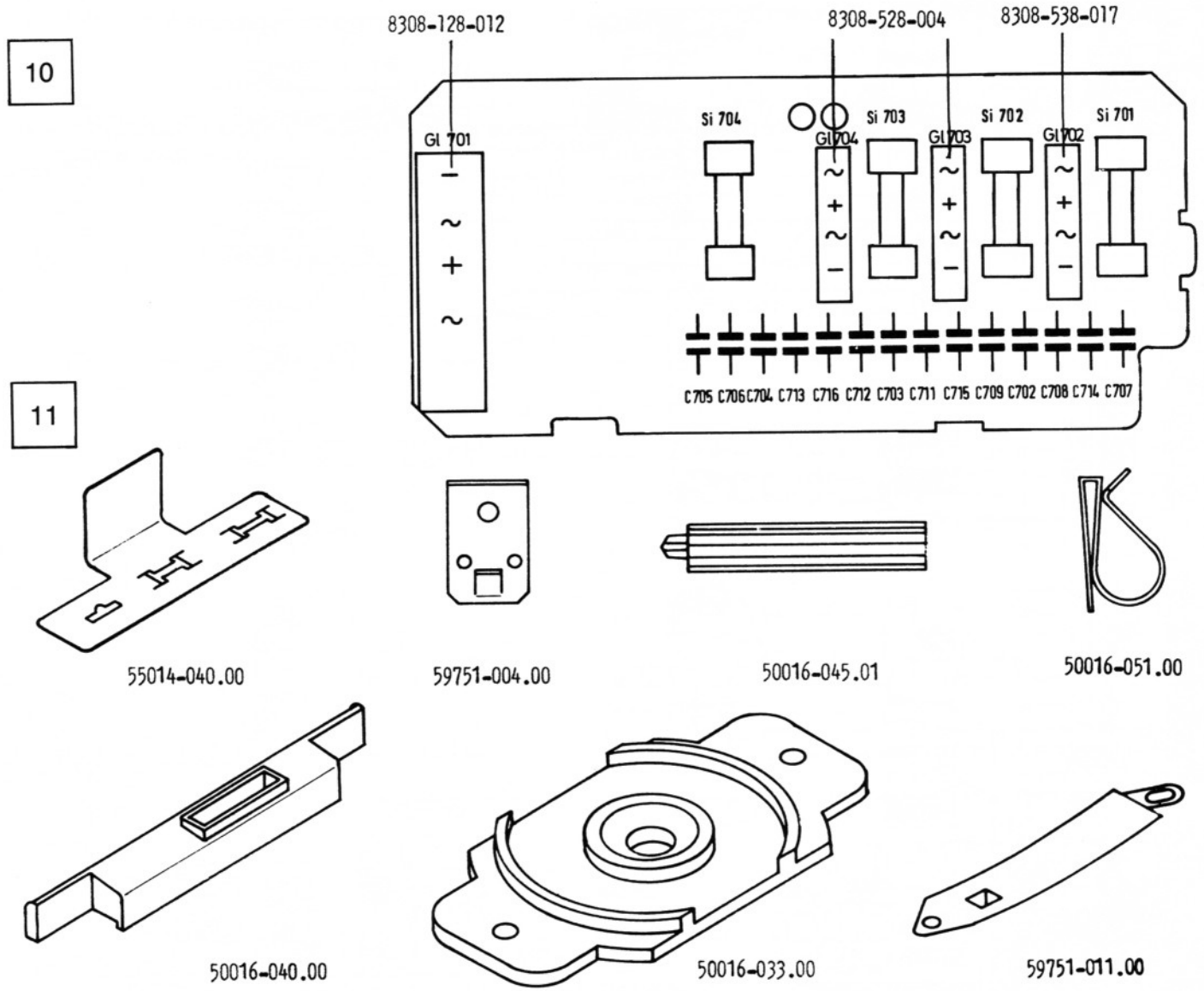
Pos. No.	Fig. No.	Bestell-Nr./Part No. Réf./Nr. d'ordinazioni	Benennung	Description	Désignation	Denominazione
453		8140-525-632	2x Ferritdrossel 22µH/10%	ferrite choke 22µH/10%	bobine	impedenza ferrite
454		8302-220-004	Transistor BF 245 B	(T6001/6002)transistor	transistor	transistor
455		8302-202-548	Transistor BC 547 B	(T6003/6004/6009)transis.	transistor	transistor
456		8302-200-551	Transistor BC 549 C	(T6007/6008)transistor	transistor	transistor
457		8302-202-555	Transistor BC 550 C	(T6011...6014)transistor	transistor	transistor
458		8302-202-559	Transistor BC 559 B	(T6005/6006)transistor	transistor	transistor
459		8309-201-007	Diode BA 181	(D6003/6004)diode BA 181	diode	diodo
460		8309-201-042	Diode BA 318	(D6001/6002)diode BA 318	diode	diodo
461		19799-108.01	Zener-Diode ZPD 2,7	(D6005)zener-diode ZPD	diode zener	diodo zener
462		59703-129.97	POTENTIOMETER 2x50KΩ KN 53129/Mix.	(R6019/6021)potentiom. KN 53129/Mix.	potentiomètre (mix.)	potenziometro
463		59703-128.97	POTENTIOMETER 2x50KΩ 53128 (Mikrofon)	(R6056/6057)potentiom. 53128 (microphone)	potentiomètre (micro.)	potenziometro (microfono)
464		59310-234.00	Mikrofon-Buchsen-Platte	microphone socket	C.I. embases micro.	piastra presa microf.
464.1 1		09623-093.01	Mikrofonbuchse	microphone socket	embase micro	presa microfono
464.2		59500-023.00	2x MIN-SCHIEBEFORTSCHALTER	min.consecutive slider switch	translateur	slitta di commutazio.
464.3		50016-130.00	TANDEMKNOPF	tandem knob	bouton	manopola tandem
464.4		09016-513.01	2x Mikrofon-Übertrager kpl.	microphone transformer	transfo. micro cpl.	trasformatore microfo.
			<u>NF-Modul</u>	<u>parts for NF-module</u>	<u>Circuit imprimé BF</u>	<u>Modulo BF</u>
480		09623-135.00	THERMOSCHALTER	thermo switch	disjoncteur thermique	interruttore termico
481		50016-046.00	Kappe f. Thermoschalter	cap f. thermc switch	capot	cappa per interrutto.
485		09605-501.97	2x Glimmerscheibe	mica-washer	rondelle mica	rondella in mica
486		09605-502.97	2x Glimmerscheibe	mica-washer	rondelle mica	rondella in mica
487		39601-624.01	Stiftkontakt-Unterteil	socket-lower half	connecteur inf.	contatto spina infer.
490	9	09218-154.01	2x Ferritdrossel	ferrite choke	bobine	impedenza ferrite
492		09647-022.97	3x Ferritperle	ferrite bead	perle ferrite	perlina in ferrite
494		8302-700-440	Transistor GP 140	(T2006/3006)transistor	transistor	transistor
495		8302-700-445	Transistor GP 145	(T2007/3007)transistor	transistor	transistor
496		8302-210-018	Transistor BD 135-16	(T904/2003/3003)transis.	transistor	transistor
497		8302-400-103	Transistor GBD 179	(T901)transistor GBD 179	transistor	transistor
498		8302-210-529	Transistor BD 529	(T903)transistor BD 529	transistor	transistor
499		8302-400-106	Transistor MPS-L 01	(T902)transistor MPS-L	transistor	transistor
500		8302-400-105	Transistor GPS A 05	(T2001/3001/2002/3002)	transistor	transistor
501		8302-202-543	Transistor BC 548 B	(T2004/3004)transistor	transistor	transistor
502		8302-200-176	Transistor BC328-40	(T2005/3005)transistor	transistor	transistor
503		8309-215-058	Zener-Diode 1N 5353	(D901)zener-diode 1N 5353	diode zener	diodo zener
504		8309-713-101	Diode MZD 56	(D902)diode MZD 56	diode	diodo
505		8309-713-115	Zener-Diode MZD 75	(D903)zener-diode MZD 75	diode zener	diodo zener
506		8309-215-021	Diode 1N 4001	(D2003/2004/3003/3004)	diode	diodo
507		8309-215-050	Diode 1N 4148	(D2001/3001)diode 1N 4148	diode	diodo
508		8309-201-007	8x Diode BA 181	diode BA 181	diode	diodo
510	9	8410-001-001	Elko 1500µF/35V	(C904/905)elco 1500µF	cond. chimique	condensatore elettro.
510a		8700-201-047	Widerstand B 0207 NB/82Ω	(R2002/2010/3002/3010) resis. B0207 NB/82Ω	résistance	resistenza
510b		8700-201-051	Widerstand B 0207 NB/120Ω	(R2005/3005)resistor B 0207 NB/120Ω	résistance	resistenza
510c		8700-201-053	Widerstand B 0207 NB/150Ω	(R2021/3021)resistor B 0207 NB/150Ω	résistance	resistenza





Pos. No.	Fig. No.	Bestell-Nr./Part No. Réf./Nr. d'ordinazioni	Benennung	Description	Désignation	Denominazione
510d		8700-201-055	Widerstand B 0207 NB/180Ω	(R2022/3022)resistor B 0207NB/180Ω	résistance	resistenza
510e		8700-201-039	Widerstand B 0207 NB/39Ω	(R2006/3006)resistor B 0207 NB/39Ω	résistance	resistenza
510f		8700-201-040	Widerstand B 0207 NB/43Ω	(R2014/3014)resistor B 0207 NB/43Ω	résistance	resistenza
510g		8700-231-071	Widerstand B 0309 NB/820Ω	(R916)resistor B 0309 NB/820Ω	résistance	resistenza
510h		8700-231-073	Widerstand B 0309 NB/1KΩ	(R9C7)resistor B 0309 NB/1KΩ	résistance	resistenza
510i		8700-231-079	Widerstand B 0309 NB/1,8KΩ	(R2011/3011)resistor B 0309 NB/1,8KΩ	résistance	resistenza
510K		8700-201-076	Widerstand B 0207 NB/1,3KΩ	(R2009/3009)resistor B 0207 NB/1,3KΩ	résistance	resistenza
511		8705-227-257	Metall oxydwiderstand 0411/220Ω/10%	(R913/914)metal oxide res. 0411/220Ω/10%	résist. métal-oxyde	resistenza ad ossido
512		8705-329-071	Metall oxydwiderstand 0411/820Ω/5%	(R2012/3012) 0411/820Ω/5% metal oxide resistor	résist. métal-oxyde	resistenza ad ossido
513		8705-329-081	Metall oxydwiderstand 0411/2,2KΩ/5%	(R2003/3003) 0411/2,2KΩ/5%	résist. métal-oxyde	resistenza ad ossido
514		8705-211-025	Metall oxydwiderstand S 0411/10Ω/10%	(R908)metal oxide resis. S 0411/10Ω/10%	résist. métal-oxyde	resistenza ad ossido
515		8705-211-231	Metall oxydwiderstand S 0411/18Ω/10%	(R918)metal oxide resis. S 0411/18Ω/10%	résist. métal-oxyde	resistenza ad ossido
516		8705-311-241	Metall oxydwiderstand S 0411/47Ω/10%	(R909)metal oxide resis. S 0411/47Ω/10%	résist. métal-oxyde	resistenza ad ossido
517		8705-329-109	Metall oxydwiderstand 0411/3,3KΩ/10%	(R903)metal oxide resis. 0411/3,3KΩ/10%	résist. métal-oxyde	resistenza ad ossido
518		8705-329-297	Metall oxydwiderstand 0411/10KΩ/10%	(R917)metal oxide resis. 0411/10KΩ/10%	résist. métal-oxyde	resistenza ad ossido
519		8705-269-070	Metall oxydwiderstand 0617/150Ω/10%	(R912/915)metal oxide resis. 0617/150Ω/10%	résist. métal-oxyde	resistenza ad ossido
520		8705-379-003	Metall oxydwiderstand 0922/10Ω/5%	(R2026/3026) 0922/10Ω/5% metal oxide resistor	résist. métal-oxyde	resistenza ad ossido
521		8730-172-003	Drahtwiderstand 7W/0,22Ω/5%	(R2024/2025/3024/3025) K-resistor 7W/0,22Ω/5%	résistance bobinée	resistenza a filo
522	9	8790-009-031	Einstellregler 1,5KΩ	(R2008/3008)min.pre-set pot.	pot. ajust.	trimmer ohmico
523		59310-230.00	LS-Buchsen-Platte kpl.	speaker socket p.c. compl.	C.I. embases HP cpl.	piastra presa altop.
523.1		09622-435.97	2x Lautsprecherbuchse (schwarz)	speaker socket (black)	embase HP (noir)	presa altoparlante (nero)
523.2		09622-555.97	2x Lautsprecherbuchse (grün)	speaker socket (green)	embase HP (vert)	presa altoparlante (verde)
523.3		8705-329-077	Metall oxydwiderstand 0411/220Ω/10%	(R752/753)metal oxide resis. 0411/220Ω/10%	résist. métal-oxyde	resistenza ad ossido
523.4		8705-369-070	Metall oxydwiderstand 0617/150Ω/10%	(R751/754)metal oxide resis. 0617/150Ω/10%	résist. métal-oxyde	resistenza ad ossido
524	9	59310-228.00	DIFFERENZ-VERST.-MODUL- PLATE I KPL.	difference amplifier module I compl.	C.I. ampli. différentiel cpl. I	Modulo amplificatore differenza I compl.
524.1		09647-022.97	Ferritperle	ferrite bead	perle ferrite	perlina in ferrite
524.2		8302-200-571	Transistor BC 560 A	(T4002)transistor BC 560 A	transistor	transistor
524.3		8302-200-562	Transistor BC 560 B	(T4001/4003)transistor	transistor	transistor
524.4		8309-650-003	Diode BZX 83/C7/V5	(D4001)diode BZX 83/C7	diode	diodo
525	9	59310-229.00	DIFFERENZ-VERST.-MOD.- PLATTE II KPL.	difference amplifier module II compl.	C.I. ampli. différentiel cpl. II	Modulo amplificatore differenza II compl.
525.1		8302-200-571	Transistor BC 560A	(T4502)transistor BC560A	transistor	transistor
525.2		8302-200-562	Transistor BC 560 B	(T4501/4503)transistor	transistor	transistor
525.3		8309-650-003	Diode BZX 83/C7/V5	(D4501)diode BZX 83/C7	diode	diodo
525.4		09647-022.97	Ferritperle	ferrite bead	perle ferrite	perlina in ferrite

Pos. No.	Fig. No.	Bestell-Nr./Part No. Réf./Nr. d'ordinazioni	Benennung	Description	Désignation	Denominazione
			<u>Netztrafo-Modul</u>	<u>Mains Transf. Module</u>	<u>C.I. transfo. ali.</u>	<u>Mod.trasf.di rete</u>
540		59800-617.00	NETZTRAFO-MODUL KPL.	Mains transf. module compl.	C.I. transfo. ali. cpl	Mod.trasf.di rete cpl.
542		09621-113.02	8x Sicherungshalter	Fuse holder	support fusible	Supporto fusibile
548	10	8308-528-004	GLEICHRICHTER B 40/C1500/1000	(G1.703/704) Rectifier	redresseur	Raddrizzatore B 40/C1500/1000
548a	10	8308-538-017	GLEICHRICHTER B 80/C1500/1000	(G1.702) Rectifier	redresseur	Raddrizzatore B 80/C1500/1000
549	10	8308-128-012	GLEICHRICHTER B 40/C500/3300	(G1.701) Rectifier	redresseur	Raddrizzatore B 40/C500/3300
551		09622-961.00	ZUGSCHALTER KPL. 2-pol.	Pull switch compl. 2-pole	interrupteur cpl	Commutatore a traz.cpl. 2 pol.
552		00813-001.01	Seilrolle Ø11	Pulley Ø11	poulie	Puieggia Ø 11
553		09603-452.00	Hülse	Sleeve	douille	Guaina
554		09631-317.00	4x Gummitülle	Rubber grommet	passe-fil	Passa-cavo in gomma
555		09088-006.01	NETZTRAFO	Mains transformer	transfo.	Trasformatore rete



Anderungen vorbehalten

Alterations reserved

Tous droits de modifications réservés

Con riserva di modifiche



1. Aufnahme Mono, Aufnahme Stereo links  
RECORDING MONO, RECORD L/R STEREO  
ENREGISTREMENT MONO, ENREGISTREMENT STEREO CANAL GAUCHE  
PRESA MONO/PRESA STEREO SINISTRO
2. Masse /CHASSIS/MASSE/MASSA
3. Wiedergabe Mono, Wiedergabe Stereo links  
PLAYBACK MONO, PLAYBACK L/R STEREO  
LECTURE MONO, LECTURE STEREO CANAL GAUCHE  
RIPRODUZIONE MONO RIPRODUZIONE STEREO SINISTRO
4. Aufnahme Stereo rechts/RECORDING RH STEREO  
ENREGISTREMENT STEREO CANAL DROIT/PRESA STEREO DESTRO
5. Wiedergabe Stereo rechts/PLAYBACK RH STEREO  
LECTURE STEREO CANAL DROIT/RIPRODUZIONE STEREO DESTRO

- TA/PU  
1. Aufnahme Mono, Aufnahme Stereo links  
RECORDING MONO, RECORD L/R STEREO  
ENREGISTREMENT MONO, ENREGISTREMENT STEREO CANAL GAUCHE  
PRESA MONO/PRESA STEREO SINISTRO
2. Masse /CHASSIS/MASSE/MASSA
3. Stereo links/STEREO LH CHANNEL  
STEREO CANAL GAUCHE/STEREO SINISTRO
4. Stereo rechts/STEREO RH CHANNEL  
STEREO CANAL DROIT/STEREO DESTRO

- MONITOR  
1. Aufnahme Mono, Aufnahme Stereo links  
RECORDING MONO, RECORD L/R STEREO  
ENREGISTREMENT MONO, ENREGISTREMENT STEREO CANAL GAUCHE  
PRESA MONO/PRESA STEREO SINISTRO
2. Masse /CHASSIS/MASSE/MASSA
3. Stereo links/STEREO LH CHANNEL  
STEREO CANAL GAUCHE/STEREO SINISTRO
4. Stereo rechts/STEREO RH CHANNEL  
STEREO CANAL DROIT/STEREO DESTRO

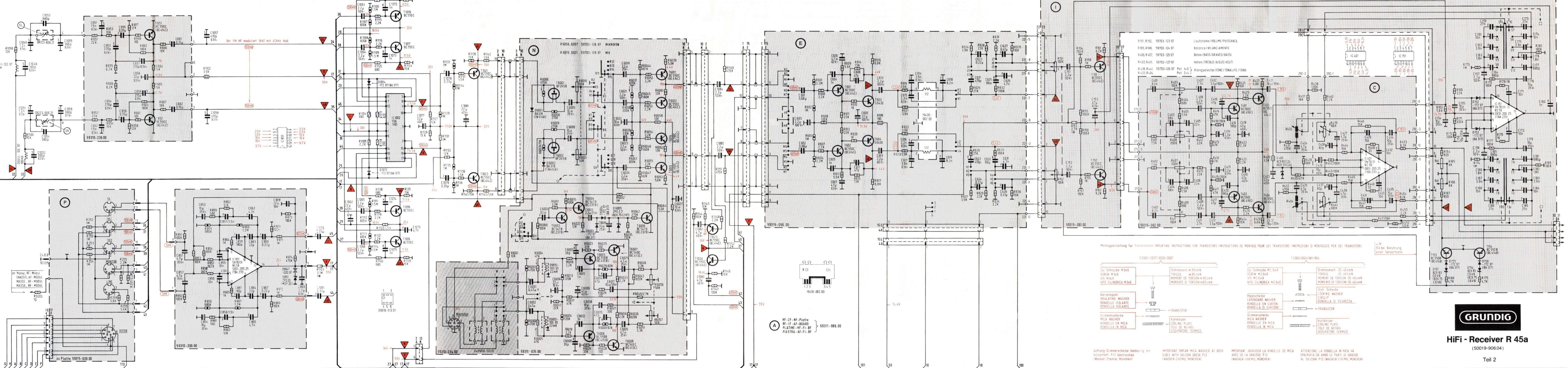
- LINE-UNIVERSAL Ausgang  
1. Aufnahme Mono, Aufnahme Stereo links  
RECORDING MONO, RECORD L/R STEREO  
ENREGISTREMENT MONO, ENREGISTREMENT STEREO CANAL GAUCHE  
PRESA MONO/PRESA STEREO SINISTRO
2. Masse /CHASSIS/MASSE/MASSA
3. TA-Aufnahme Stereo links / TA-RECORDING LH-STEREO  
MAG-ENREGISTREMENT STEREO CANAL GAUCHE / TA-PRESA STEREO SINISTRO
4. TA-Aufnahme Stereo rechts / TA-RECORDING RH-STEREO  
MAG-ENREGISTREMENT STEREO CANAL DROIT / TA-PRESA STEREO DESTRO

Spannungen im Grund-Volmeter (Ri=10M $\Omega$ ) falls nicht anders angegeben, gegen Masse gemessen. Melwerte gelten bei 220V-Nutzspannung und im nicht-erwarteten Zustand auf [R<sub>W</sub>] (R<sub>W</sub> N $\Omega$ ), ohne Signal bei 20°C Raumtemperatur und zugedrehtem Lautstärkeregler. Sämtliche Spannungen über Trennwidstand messen.

IF NOT OTHERWISE INDICATED ALL VOLTAGES ARE MEASURED AGAINST CHASSIS WITH A GRUNDIG VOLTMETER (Ri=10M $\Omega$ ). THE VALUES ARE VALID FOR 220V-AC MAINS VOLTAGE. INSTRUMENT NOT WARMED UP ON WAVE BANDS [R<sub>W</sub>] (R<sub>W</sub> N $\Omega$ ), NO SIGNAL APPLIED, 20°C AMBIENT TEMPERATURE, AND CLOSED VOLUME CONTROL. ALL VOLTAGES MUST BE MEASURED VIA SEPARATING RESISTOR.

SAUF INDICATION CONTRAIRE LES TENSIONS SONT MESURÉES PAR RAPPORT AU CHASSIS AVEC UN VOLTMÈTRE GRUNDIG (Ri=10M $\Omega$ ). LES VALEURS SONT VALABLES POUR UNE TENSION SECTEUR DE 220V CA. L'APPAREIL EN ETAT NON-ECHAUFFÉ, DANS LES GAMMAS D'ONDES [R<sub>W</sub>] (R<sub>W</sub> N $\Omega$ ), SANS SIGNAL, TEMPÉRATURE AMBIANTE DE 20°C ET RÉGLAGE DE PUISSANCE FERME. LES TENSIONS SONT A MESURER A TRAVERS UNE RÉSISTANCE DE SÉPARATION.

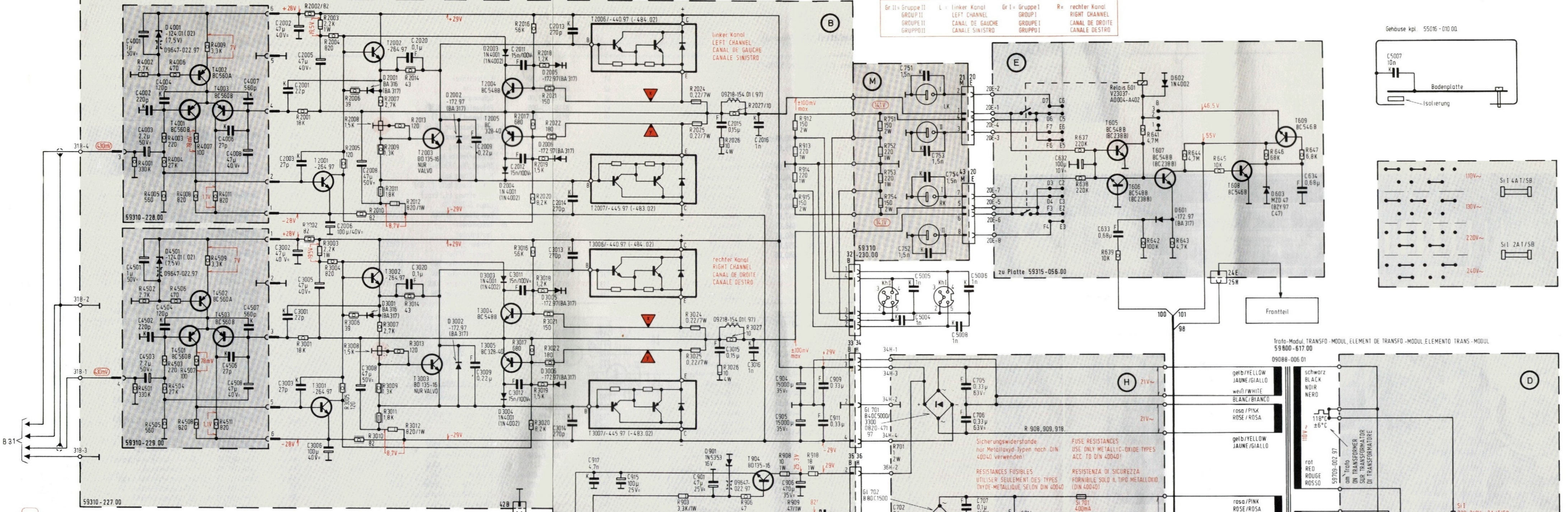
TENSIONI MISURATE CON MILLIVOLTMETRO GRUNDIG (Ri=10M $\Omega$ ) SALVO ALTRE INDICAZIONI, RIFERITE A MASSA E VOLONTI DI MISURA VALGONO CON TENSIONE DI RETE DI 220V E RILEVATI A FREDDO SU [R<sub>W</sub>] (R<sub>W</sub> N $\Omega$ ) SENSA SEGNALE, CON TEMPERATURA AMBIENTALE DI 20°C E COL REGOLATORE DI VOLUME A ZERO TUTTE LE TENSIONI SONO MISURATE MEDIANTE UNA RESISTENZA DI SEPARAZIONE.



HiFi - Receiver R 45a  
(50019-906.04)

Tell 2

1048	1049	1053	1055	251	252	253	254	255	256	257	258	259	260	261	262	263	264	265	266	267	268	269	270	271	272	273	274	275	276	277	278	279	280	281	282	283	284	285	286	287	288	289	290	291	292	293	294	295	296	297	298	299	300	301	302	303	304	305	306	307	308	309	310	311	312	313	314	315	316	317	318	319	320	321	322	323	324	325	326	327	328	329	330	331	332	333	334	335	336	337	338	339	340	341	342	343	344	345	346	347	348	349	350	351	352	353	354	355	356	357	358	359	360	361	362	363	364	365	366	367	368	369	370	371	372	373	374	375	376	377	378	379	380	381	382	383	384	385	386	387	388	389	390	391	392	393	394	395	396	397	398	399	400	401	402	403	404	405	406	407	408	409	410	411	412	413	414	415	416	417	418	419	420	421	422	423	424	425	426	427	428	429	430	431	432	433	434	435	436	437	438	439	440	441	442	443	444	445	446	447	448	449	450	451	452	453	454	455	456	457	458	459	460	461	462	463	464	465	466	467	468	469	470	471	472	473	474	475	476	477	478	479	480	481	482	483	484	485	486	487	488	489	490	491	492	493	494	495	496	497	498	499	500	501	502	503	504	505	506	507	508	509	510	511	512	513	514	515	516	517	518	519	520	521	522	523	524	525	526	527	528	529	530	531	532	533	534	535	536	537	538	539	540	541	542	543	544	545	546	547	548	549	550	551	552	553	554	555	556	557	558	559	560	561	562	563	564	565	566	567	568	569	570	571	572	573	574	575	576	577	578	579	580	581	582	583	584	585	586	587	588	589	590	591	592	593	594	595	596	597	598	599	600	601	602	603	604	605	606	607	608	609	610	611	612	613	614	615	616	617	618	619	620	621	622	623	624	625	626	627	628	629	630	631	632	633	634	635	636	637	638	639	640	641	642	643	644	645	646	647	648	649	650	651	652	653	654	655	656	657	658	659	660	661	662	663	664	665	666	667	668	669	670	671	672	673	674	675	676	677	678	679	680	681	682	683	684	685	686	687	688	689	690	691	692	693	694	695	696	697	698	699	700	701	702	703	704	705	706	707	708	709	710	711	712	713	714	715	716	717	718	719	720	721	722	723	724	725	726	727	728	729	730	731	732	733	734	735	736	737	738	739	740	741	742	743	744	745	746	747	748	749	750	751	752	753	754	755	756	757	758	759	760	761	762	763	764	765	766	767	768	769	770	771	772	773	774	775	776	777	778	779	780	781	782	783	784	785	786	787	788	789	790	791	792	793	794	795	796	797	798	799	800	801	802	803	804	805	806	807	808	809	810	811	812	813	814	815	816	817	818	819	820	821	822	823	824	825	826	827	828	829	830	831	832	833	834	835	836	837	838	839	840	841	842	843	844	845	846	847	848	849	850	851	852	853	854	855	856	857	858	859	860	861	862	863	864	865	866	867	868	869	870	871	872	873	874	875	876	877	878	879	880	881	882	883	884	885	886	887	888	889	890	891	892	893	894	895	896	897	898	899	900	901	902	903	904	905	906	907	908	909	910	911	912	913	914	915	916	917	918	919	920	921	922	923	924	925	926	927	928	929	930	931	932	933	934	935	936	937	938	939	940	941	942	943	944	945	946	947	948	949	950	951	952	953	954	955	956	957	958	959	960	961	962	963	964	965	966	967	968	969	970	971	972	973	974	975	976	977	978	979	980	981	982	983	984	985	986	987	988	989	990	991	992	993	994	995	996	997	998	999	1000
------	------	------	------	-----	-----	-----	-----	-----	-----	-----	-----	-----	-----	-----	-----	-----	-----	-----	-----	-----	-----	-----	-----	-----	-----	-----	-----	-----	-----	-----	-----	-----	-----	-----	-----	-----	-----	-----	-----	-----	-----	-----	-----	-----	-----	-----	-----	-----	-----	-----	-----	-----	-----	-----	-----	-----	-----	-----	-----	-----	-----	-----	-----	-----	-----	-----	-----	-----	-----	-----	-----	-----	-----	-----	-----	-----	-----	-----	-----	-----	-----	-----	-----	-----	-----	-----	-----	-----	-----	-----	-----	-----	-----	-----	-----	-----	-----	-----	-----	-----	-----	-----	-----	-----	-----	-----	-----	-----	-----	-----	-----	-----	-----	-----	-----	-----	-----	-----	-----	-----	-----	-----	-----	-----	-----	-----	-----	-----	-----	-----	-----	-----	-----	-----	-----	-----	-----	-----	-----	-----	-----	-----	-----	-----	-----	-----	-----	-----	-----	-----	-----	-----	-----	-----	-----	-----	-----	-----	-----	-----	-----	-----	-----	-----	-----	-----	-----	-----	-----	-----	-----	-----	-----	-----	-----	-----	-----	-----	-----	-----	-----	-----	-----	-----	-----	-----	-----	-----	-----	-----	-----	-----	-----	-----	-----	-----	-----	-----	-----	-----	-----	-----	-----	-----	-----	-----	-----	-----	-----	-----	-----	-----	-----	-----	-----	-----	-----	-----	-----	-----	-----	-----	-----	-----	-----	-----	-----	-----	-----	-----	-----	-----	-----	-----	-----	-----	-----	-----	-----	-----	-----	-----	-----	-----	-----	-----	-----	-----	-----	-----	-----	-----	-----	-----	-----	-----	-----	-----	-----	-----	-----	-----	-----	-----	-----	-----	-----	-----	-----	-----	-----	-----	-----	-----	-----	-----	-----	-----	-----	-----	-----	-----	-----	-----	-----	-----	-----	-----	-----	-----	-----	-----	-----	-----	-----	-----	-----	-----	-----	-----	-----	-----	-----	-----	-----	-----	-----	-----	-----	-----	-----	-----	-----	-----	-----	-----	-----	-----	-----	-----	-----	-----	-----	-----	-----	-----	-----	-----	-----	-----	-----	-----	-----	-----	-----	-----	-----	-----	-----	-----	-----	-----	-----	-----	-----	-----	-----	-----	-----	-----	-----	-----	-----	-----	-----	-----	-----	-----	-----	-----	-----	-----	-----	-----	-----	-----	-----	-----	-----	-----	-----	-----	-----	-----	-----	-----	-----	-----	-----	-----	-----	-----	-----	-----	-----	-----	-----	-----	-----	-----	-----	-----	-----	-----	-----	-----	-----	-----	-----	-----	-----	-----	-----	-----	-----	-----	-----	-----	-----	-----	-----	-----	-----	-----	-----	-----	-----	-----	-----	-----	-----	-----	-----	-----	-----	-----	-----	-----	-----	-----	-----	-----	-----	-----	-----	-----	-----	-----	-----	-----	-----	-----	-----	-----	-----	-----	-----	-----	-----	-----	-----	-----	-----	-----	-----	-----	-----	-----	-----	-----	-----	-----	-----	-----	-----	-----	-----	-----	-----	-----	-----	-----	-----	-----	-----	-----	-----	-----	-----	-----	-----	-----	-----	-----	-----	-----	-----	-----	-----	-----	-----	-----	-----	-----	-----	-----	-----	-----	-----	-----	-----	-----	-----	-----	-----	-----	-----	-----	-----	-----	-----	-----	-----	-----	-----	-----	-----	-----	-----	-----	-----	-----	-----	-----	-----	-----	-----	-----	-----	-----	-----	-----	-----	-----	-----	-----	-----	-----	-----	-----	-----	-----	-----	-----	-----	-----	-----	-----	-----	-----	-----	-----	-----	-----	-----	-----	-----	-----	-----	-----	-----	-----	-----	-----	-----	-----	-----	-----	-----	-----	-----	-----	-----	-----	-----	-----	-----	-----	-----	-----	-----	-----	-----	-----	-----	-----	-----	-----	-----	-----	-----	-----	-----	-----	-----	-----	-----	-----	-----	-----	-----	-----	-----	-----	-----	-----	-----	-----	-----	-----	-----	-----	-----	-----	-----	-----	-----	-----	-----	-----	-----	-----	-----	-----	-----	-----	-----	-----	-----	-----	-----	-----	-----	-----	-----	-----	-----	-----	-----	-----	-----	-----	-----	-----	-----	-----	-----	-----	-----	-----	-----	-----	-----	-----	-----	-----	-----	-----	-----	-----	-----	-----	-----	-----	-----	-----	-----	-----	-----	-----	-----	-----	-----	-----	-----	-----	-----	-----	-----	-----	-----	-----	-----	-----	-----	-----	-----	-----	-----	-----	-----	-----	-----	-----	-----	-----	-----	-----	-----	-----	-----	-----	-----	-----	-----	-----	-----	-----	-----	-----	-----	-----	-----	-----	-----	-----	-----	-----	-----	-----	-----	-----	-----	-----	-----	-----	-----	-----	-----	-----	-----	-----	-----	-----	-----	-----	-----	-----	-----	-----	-----	-----	-----	-----	-----	-----	-----	-----	-----	-----	-----	-----	------



NF-Spannungen mit Grundig-Millivoltmeter (Ri=1MΩ/50pF) gegen Masse gemessen. Merkwerte gelten für Eingangsspannungen von je 500mV an TB1, TB11 und 5mV an TA mit jeweils 1000Hz. Das Gerät befindet sich in folgendem Betriebszustand: Sensor TB1, Mikrotonabnehmersteuerschalter in Stellung „0“, Lautstärkeregelung auf je 2x50W Ausgangsleistung an k.A., Klangregler und Balanceregler in mechanischer Mittelstellung, Monitorsteuerschalter „Aus“.

AF VOLTAGES MEASURED WITH GRUNDIG MILLIVOLTMETER (Ri=1MΩ/50pF) AGAINST EARTH. MEASURING VALUES ARE VALID FOR INPUT VOLTAGES OF 500mV ON SOCKETS TB1, TB11 AND 5mV ON TA AT A FREQUENCY OF 1000HZ. THE SET MUST BE SWITCHED TO FOLLOWING FUNCTIONS: TB1, MICROPHONE SWITCH TO "0"; MAXIMUM VOLUME OUTPUT POWER 2x50W ACROSS 4 Ω, TONE AND BALANCE CONTROLS TO MID-POSITION, MONITOR SWITCH OFF.

LES TENSIONS BF SONT MESURÉES AVEC UN VOLTMÈTRE GRUNDIG (Ri=1MΩ/50pF) PAR RAPPORT À TERRE. LES VALEURS MESURÉES SONT VALABLES POUR UNE TENSION D'ENTRÉE DE 500mV SUR TB1, TB11 ET DE 5mV SUR TA. À UNE FRÉQUENCE DE 1000 HZ. L'APPAREIL DOIT ÊTRE COMMANDÉ SUR TB1, MICROPHONO EN POSITION "0", RÉGLAGE DE PUISSANCE OUVERT, PUISSANCE DE SORTIE 2x50W SUR 4 Ω, RÉGLAGES DE TONALITÉ ET DE BALANCE EN POSITION MÉDIANE, COMMANDE MONITOR EN POSITION "AUS" (HORS SERVICE).

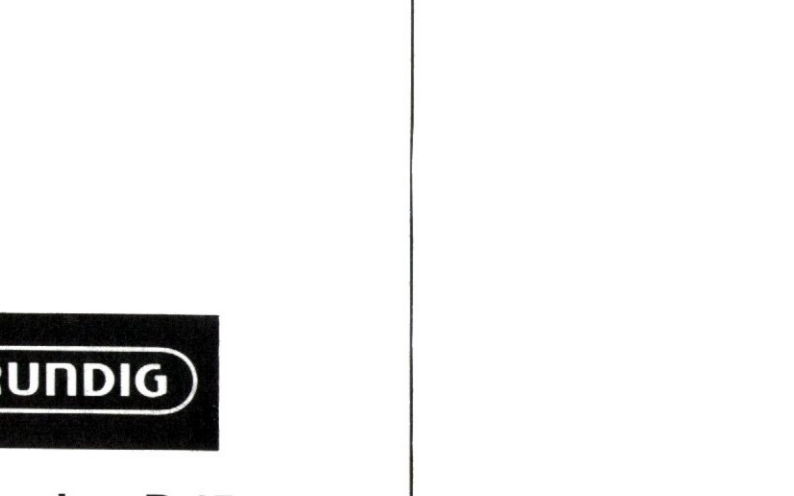
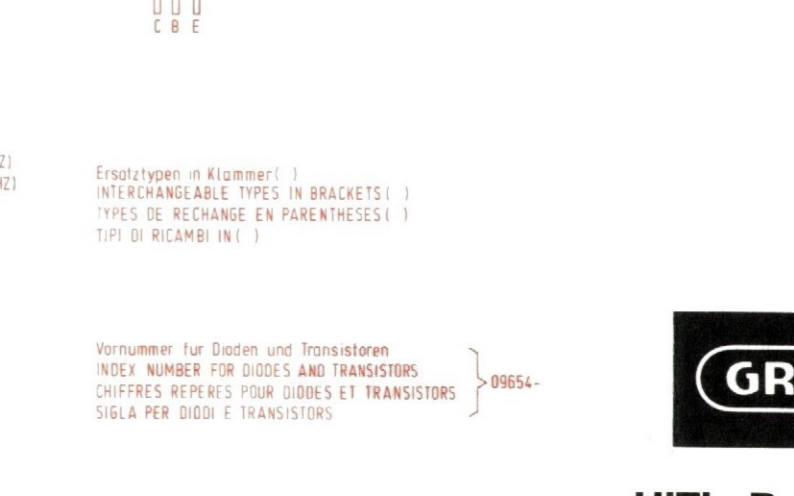
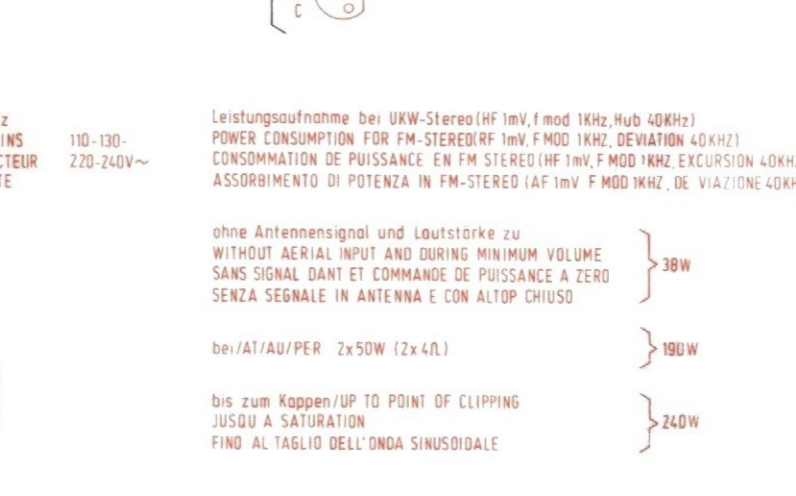
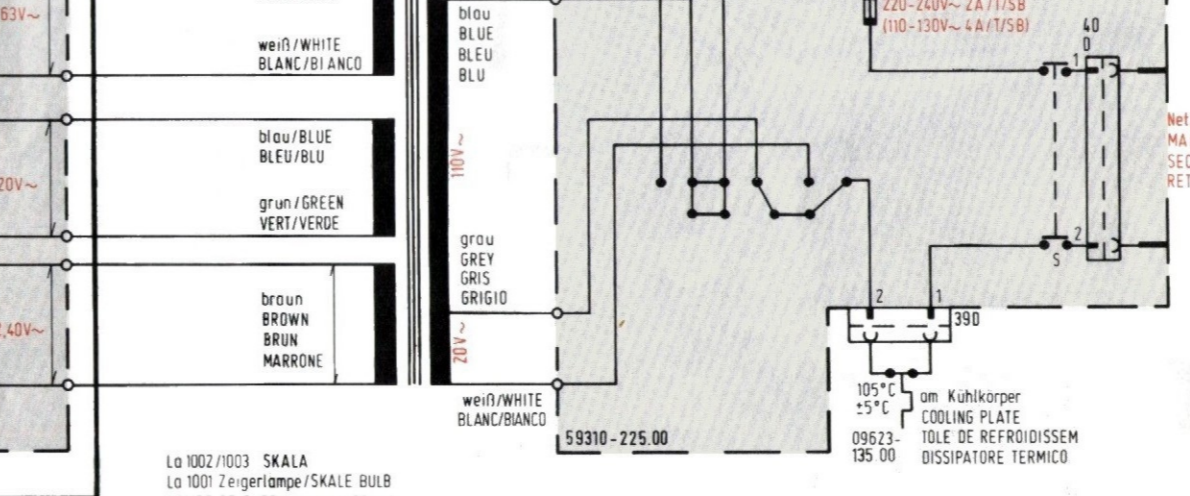
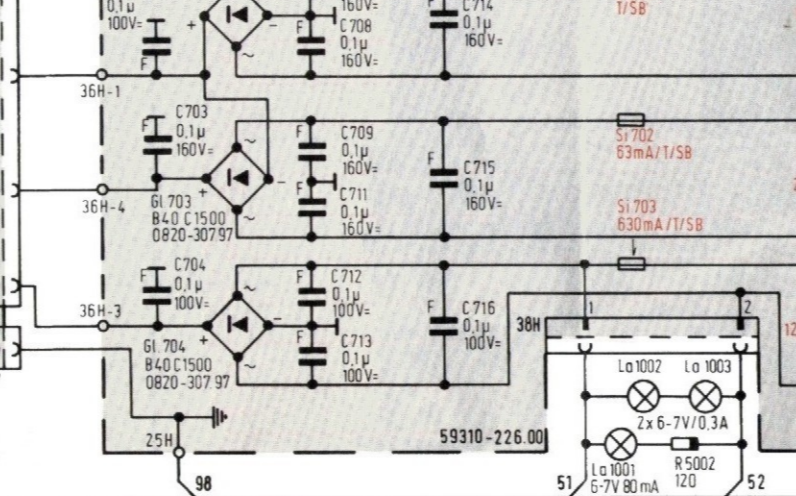
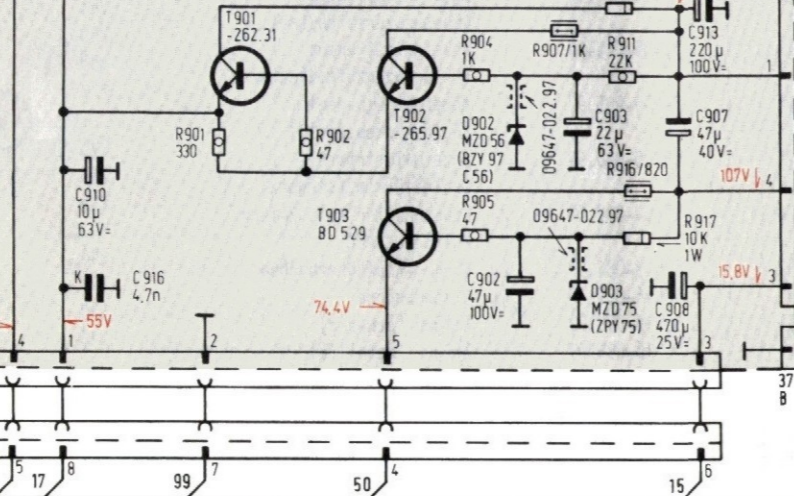
LE TENSIONI BF SONO MISURATE CON IL MILLIVOLTMETRO GRUNDIG (Ri=1MΩ/50pF) VERSO MASSA I VALORI VALGONO PER TENSIONI D'INGRESSO DI RISPETTIVAMENTE 500mV SU TB1, TB11 E DI 5mV SU TA A FREQUENZA DI 1000 Hz. L'APPARECCHIO È REGOLATO COME SEGUE: SENSORE TB1, SELETTORE TIPO DI MICROFONO IN POSIZIONE "0", REGOLATORE DI VOLUME ACCESSO, RISPETTIVAMENTE 2x50 W DI POTENZA D'USCITA SU 4 Ω, REGOLATORE DI TONO E DI BILANCIAMENTO IN POSIZIONE MECCANICA INTERMEDIA, INTERUTTORE DEL MONITOR IN POSIZIONE "AUS".

Ruhestromeinstellung  
Ohne Lautsprecheranschluss mit R 2024 bzw. R 3008  
Spannungsabfall an R 2024 + R 2025 bzw.  
R 3024 + R 3025 auf 30mV (+20-10%) einstellen

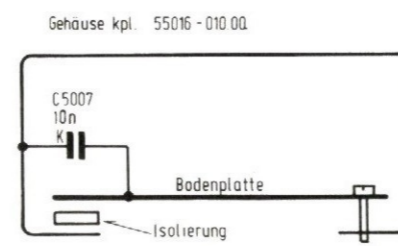
SETTING OF QUIESCENT CURRENT  
WITH LOUSPEAKER SOCKET NOT TERMINATED ADJUST  
R 2008 RESP R 3008 TO OBTAIN A POTENTIAL DROP  
ACROSS R 2024 + R 2025 RESP R 3024 + R 3025  
OF 30mV (+20-10%).

REGLAGE DU COURANT DE REPOS  
SANS CHARGE HP RÉGLER RESP PAR R 2008 RESP 3008  
LA CHUTE DE TENSION AUX BORNES DE R 2024 +  
R 2025 RESP R 3024 + R 3025 À 30 mV  
(+20-10%).

REGOLAZIONE CORRENTE DI RIPOSO  
SENZA CHIUSURA SULL'ALTOP. REGOLARE LA CADUTA  
DI TENSIONE CON R 2008 RISP 3008 AGENDO SU  
R 2024 + R 2025 RISP R 3024 + R 3025 PORTANDO  
IL VALORE 30mV (+20-10%).



Gr. I = Gruppe I L = linker Kanal Gr. I = Gruppe I R = rechter Kanal  
GRUPPI I LEFT CHANNEL GRUPPI I GROUP I RIGHT CHANNEL  
GRUPPI I CANAL DE GAUCHE GRUPPI I GROUP I CANAL DE DROITE  
GRUPPI I CANALE SINISTRO GRUPPI I GROUP I CANALE DESTRO



Freizustellung für Transistoren und Dioden nach Grundig Bestellvorschrift  
REPLACEMENT ORDER FOR TRANSISTORS AND DIODES ACCORDING TO GRUNDIG REQUISITION REGULATION  
COMMANDE DE REMPLACEMENT POUR TRANS ET DIODES SUIVANT L'INSTRUCTION DE COMM. GRUNDIG  
ORDINAZIONE RICAMBI DI TRANSISTORI E DIODI SECONDO LE PRESCRIZIONI GRUNDIG

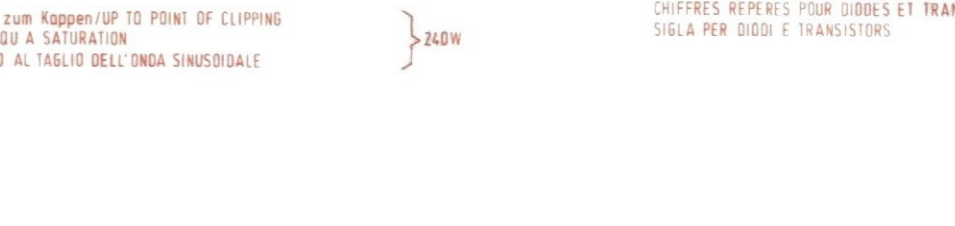
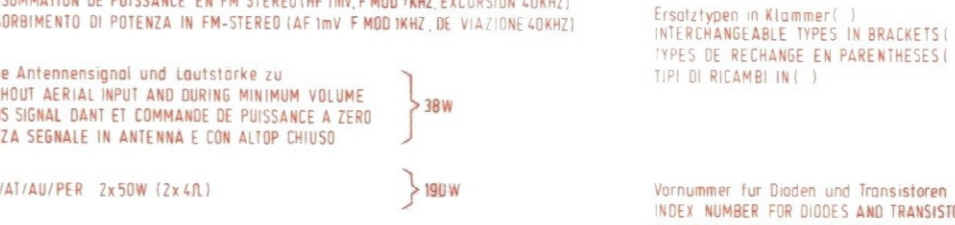
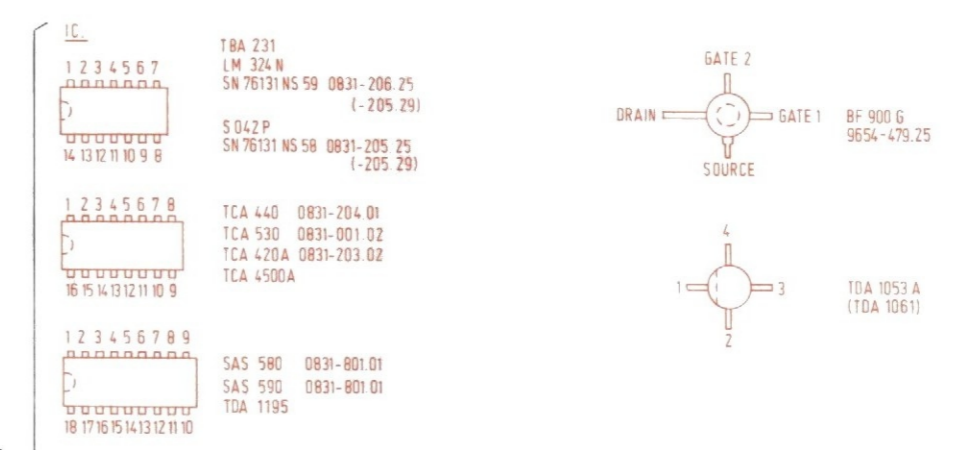
Gleichrichter: 840 C 1000 0820-307 97  
840 C 5000/3300 0820-471 97

Leucht-Dioden: C 01 4016 09654-801 03  
C 01 7216 09654-902 03  
C 01 7416 09654-903 03

Dioden: BA 181 09654-172 97  
BA 317/BA 318/1N 41241  
Z-Diode 10V 09654-178 97  
Z-Diode 3.9V 09654-267 97  
MZF 6 B 09654-131 31  
Z09654-139 01 021 031/04/371  
Z-Diode 7.5V 09654-124 01 021 031/04/371

Änderungen vorbehalten  
ALTERATIONS RESERVED  
MODIFICATIONS RESERVEES  
CON RISERVA DI MODIFICA

- Elko
- Folien Kondensator
- Styrolitex (K5, KPI) Kondensator
- Keramik Kondensator
- 0204 DIN
- 0207 DIN
- Rauscharm
- 0309 DIN
- 0411 DIN
- 0414 DIN
- 0617 DIN
- schwer entflammbar
- Drahtwiderstand
- Metalloxidschicht-widerstand



HiFi - Receiver R 45a

(50019-906.04)

Teil 3

4001, 4501, 4004, 4002, 4502, 4504, 4003, 4503, 4507	4006, 4007, 4508, 4506, 4008, 3001, 2002, 3003, 2006, 2008, 3005	2001, 2002, 3002, 2005, 3006, 3008, 3020, 3009, 2011, 3012, 2012, 2014, 3014	2013, 917, 916, 915, 7015, 2016, 901, 904, 907, 909, 913, 905, 908, 911, 906, 703, 753, 5008, 707, 711, 714, 715, 716	5004, 704, 751, 754, 705, 708, 712, 707, 5005, 752, 5006, 706, 709, 713, 703, 753, 5008, 707, 711, 714, 715, 716	632, 633, 637, 5007, 639, 641, 642, 643, 644, 645, 646, 647	5007
4001, 4002, 4003, 4503, 4006, 4007, 4508, 4011, 4501, 4502, 4004, 4504, 4008, 4009, 4511, 4005, 4505, 4507, 4509	2001, 2002, 3002, 2005, 2006, 2008, 2009, 3008, 2012, 3012, 3001, 3001, 3002, 3003, 2010, 2017, 2011, 3009, 2012, 2016, 2003, 3004, 3006, 2008, 3007, 3011, 3013, 3014	2011, 3012, 2012, 2014, 3014, 2013, 3013, 910, 2018, 3016, 2018, 3019, 2022, 3022, 2017, 3017, 2019, 2020, 3020, 3018, 2021, 3021, 2021, 3021	901, 903, 2024, 2025, 2026, 2027, 906, 907, 908, 912, 915, 916, 751, 754, 757, 3017, 3019, 2027, 904, 913, 909, 917, 902, 2025, 3026, 3027, 904, 914, 911, 918, 753			



**Ersatzteilliste (Auszug)**

Receiver R 45a. Sach-Nr. 55016-12

Pos.	Part No.	Description	QTY	Part No.	Description	QTY	Part No.	Description	QTY	Part No.	Description
		<u>Gehäuse</u>		41	50016-081.00	Rollenwinkel	331	59410-519.00	Speichereinheit 7-fach		
		graphit-metallic		42	00813-001.02	8x Seilrolle	340	59310-188.00	FM-Netzteil-Module kpl.		(R203)
		<u>Front:metallfinish</u>		45	09612-833.00	Schwungrad	345	8790-209-251	Einstellregler 10KΩ		
				47	8138-003-005	Polyamidschnur 0,3φ			<u>Schalter-Modulplatte</u>		
				48	8138-005-015	Skalenseil (7x0,1)			Schalter-Modulpl. kpl.		
				51	8138-007-021	2x Antriebsschnur TE 50 P			Kippschalter kpl. (Aus)		
						0,5 φ (schwarz)	350	59315-056.00	2x Kippschalter kpl. 4-fach		
1	55016-110.01	Gehäuse kpl.		52	09626-145.00	2x Lampenfassung	351	59500-035.00	Kippschalter kpl. (MPX)		
1.1	55010-015.01	Lüftungsgitter (graphit-metallic)		57	39600-010.00	Steckerleiste kpl.	352	59500-029.00	Kippschalter kpl. 4-fach (Lin./Cont.)		
1.4	55016-130.01	Blende kpl.		68	09690-358.09	10-pol./Nr.163690-8	353	59500-033.00	Kippschalter kpl. 4-fach (Rausch)		
1.4.1	55014-034.01	Skalenscheibe	68	09690-358.04	Netzleitung kpl.		354	59500-031.00	Kippschalter kpl. 2-fach (Monitor)		
1.4.2	55016-101.01	Zierrahmen kpl.	68	09690-358.05	Netzleitung kpl. (f.GB)			50016-155.00	2x Drahtfeder		
1.4.3	55016-095.01	Zierblech kpl.	68	19799-323.91	Netzleitung (f. Exp.)	355	59500-034.00	50016-156.00	Relais V 23037		
1.7	55015-080.01	Deckel kpl.	71	8316-113-009	Lampe 6-7V/0,3A (LA1002/1003)			8312-001-310	A 0004-A 402		
3	09670-847.01	5x Drehknopf	72	8316-453-004	Zwerglampe 7V/80mA (LA1001)	356	59500-036.00	59315-079.00	Programm-Modul-Platte kpl.		
4	09670-848.01	Drehknopf	79	09670-864.01	8x Tastenknopf			59315-039.00	Buchsen-Modul-Platte kpl.		
5	09670-860.01	2x Drehknopf	80	09670-865.01	4x Tastenknopf			09622-388.02	5x Zwergsteckdose		
6	09670-852.01	Drehknopf	128	19799-323.91	Trimmer 3/15pF (C1027)	357	50016-155.00	09625-475.00	Antennenbuchse kpl.		
7	01560-580.00	UKW-Möbelantenne	129	19799-323.97	Trimmer 3/15pF (C1026)	358	50016-156.00	09623-104.97	Mehrfachbuchse 10-pol.		
		<u>Gehäuse</u>		131	8790-009-244	Einstellregler 3KΩ (R1083)	364	59310-181.00	ZF-Modul-Platte kpl.(AM)		
		graphit-metallic		132	8790-009-248	Einstellregler 5KΩ (R1021)		19202-326.97	ZF-Filter kpl.		
		<u>Front: schwarz</u>		133	8790-009-251	Einstellregler 10KΩ (R1013)		19202-328.97	ZF-Filter kpl.		
				134	8790-009-280	Einstellregler 2MΩ (R1079)		19203-034.97	Ker.-Filter 460KHz		
1	55016-110.02	Gehäuse kpl.						19203-035.97	Ker.-Filter 452KHz(f.BE)		
1.1	55010-015.01	Lüftungsgitter (graphit-metallic)	149	59420-011.00	<u>FM-Spulensatz</u>			59310-200.00	Entzerrer-Modul-Platte kpl.		
1.4	55016-130.02	Blende kpl.	171	19799-313.94	(59420-011.00)			59311-035.00	Mischer-Modul-Platte kpl.		
1.4.1	55014-034.01	Skalenscheibe	172	19799-331.91	FM-Spulensatz kpl.			59500-020.00	Drehschalter		
1.4.2	55016-101.02	Zierrahmen kpl.	175	59310-238.00	Trimmer 3,5/13pF			59703-129.97	Potentiometer 2x50KΩ		
1.4.3	55016-095.02	Zierblech kpl.			Trimmer 2/6pF				KN 53129/Mix.		
1.7	55015-080.02	Deckel kpl.			FM-Spulenplatte				Potentiometer 2x50KΩ		
3	09670-847.02	5x Drehknopf	190	59800-619.00	<u>ZF-PLL-Decoder-Steckmodul</u>				53128 (Mikrofon)		
4	09670-848.02	Drehknopf	192	09223-354.21	ZF-PLL-Decoder-Steckm.				Mikrofon-Buchsen-Platte		
5	09670-860.02	2x Drehknopf	193	09223-355.21	ZF-Filter				Mikrofonbuchse		
6	09670-852.02	Drehknopf	196	19202-334.97	ZF-Filter				2x Min-Schiebefortschalter		
7	01560-580.00	UKW-Möbelantenne	197	19202-335.97	2x ZF-Filter				Tandemknopf		
		<u>Chassisteile</u>		211	8790-003-051	ZF-Filter	463	59703-128.97	2x Mikrofon-Übertrager kpl.		
21	50016-107.01	Skala kpl. (schwarz)	211	8790-003-051	Einstellregler 10KΩ (R25)	464	59310-234.00	59703-128.97	Thermoschalter		
21	50016-107.02	Skala kpl. (metallic)	212	8790-006-248	Einstellregler 5KΩ (R56)	464.1	09623-093.01		2x Glimmerscheibe		
23	09670-853.01	Drehknopf kpl. (met.)	213	8790-009-251	Einstellregler 10KΩ (R41)	464.2	59500-023.00		2x Glimmerscheibe		
23	09670-853.02	Drehknopf kpl. (schwarz)	214	8790-009-010	Einstellregler 1KΩ (R18)	464.3	50016-130.00		2x Einstellregler 1,5KΩ		(R2008/3008)
24	59705-034.97	Anzeiginstrument (Frequenzanzeige)(met.)	215	8790-009-026	Einstellregler 250KΩ (R13)	464.4	09016-513.01		2x LS-Buchsen-Platte kpl.		
24	59705-045.97	Anzeiginstrument (Frequenzanzeige)(schwarz)	230	59310-236.00	Tiefpaß-Modul-Platte kpl.	480	09623-135.00		2x Lautsprecherbuchse (schwarz)		
25	59705-035.97	Anzeiginstrument (Feldstärkem./met.)	240	59310-237.00	FM-Regel-Modul-Platte kpl.	485	09605-501.97		2x Differenz-Verst.-Modul-Platte I kpl.		
25	59705-046.97	Anzeiginstrument (Feldstärkem./schwarz)	243	8790-209-261	Einstellregler 220KΩ (R492)	486	09605-502.97		2x Differenz-Verst.-Modul-Platte II kpl.		
26	59500-037.00	2x Kippschalter kpl. 2-fach Muting u. AFC	250	59315-077.00	Tastplatte kpl. 4-fach	522	8790-009-031		2x Netztrafo-Modul kpl.		(G1.703/704)
32	09623-081.97	2x Stereo-Kopfhörerbuchse	255	59310-239.00	Diode-Modul-Platte kpl.	523	59310-230.00		2x Gleichrichter B40/C1500/1000		(G1.702)
33	50016-057.00	4x Diodenbuchse	270	59311-029.00	Tunoscopes-Multop.-Modulplatte kpl.	523.1	09622-435.97		2x Gleichrichter B80/C1500/1000		(G1.701)
34	50016-038.02	Zeiger (schwarz)	290	59315-061.00	Regler-Modul-Platte I	523.2	09622-555.97		2x Gleichrichter B40/C5000/3300		
34	50016-038.01	Zeiger (metallic)	294	59500-021.00	Drehschalter(Klangstärke)	524	59310-228.00		2x Zugschalter kpl. 2-pol.		
35	50016-040.00	Zeigerkappe	295	59703-123.97	Potentiometer 2x100KΩ (R151/152)	525	59310-229.00		2x Seilrolle		
36	09612-155.97	Antriebsrad	296	59703-124.97	KN 53123 (Lautstärke)	540	59800-617.00		2x Netztrafo		
37	09619-833.00	Ringfeder	310	59315-062.00	Potentiometer 2x6KΩ (R165/166)	548	8308-528-004				
39	59701-023.00	Drehkondensator kpl. 2-f.	316	59703-125.97	KN 53124 (Balance)	548a	8308-538-017				
39.1	59703-093.00	Abstimmwiderstand	317	59703-127.97	Regler-Modul-Platte II kpl.	549	8308-128-012				
40	50016-031.00	Rückwanddeckel	318	59703-126.97	Potentiometer 2x200KΩ (R406/407)	551	09622-961.00				
			330	59310-187.00	KN 53125(Bässe)	552	00813-001.01				
					Potentiometer 2x100KΩ (R403/411)	555	09088-006.01				
					KN 53127(Höhen)						
					Potentiometer 2x100KΩ (R433/434/439/441)						
					KN 53126(Klang)						
					Speicher-Platte kpl.						