

# ICF-M350L

## SERVICE MANUAL

AEP Model  
UK Model



### SPECIFICATIONS

Frequency range	FM	87.5–108 MHz (0.05 MHz scan step)
	MW	531–1,602 kHz (9 kHz scan step) 530–1,610 kHz (10 kHz scan step)
	LW	153–279 kHz (9 kHz scan step)
Intermediate frequency		FM : 10.7 MHz MW/LW: 450 kHz
Antennas		FM : Telescopic antenna MW/LW: Built-in ferrite bar antenna
Speaker		Approx. 7.7 cm (3 <sup>1</sup> / <sub>8</sub> inches) dia.
Power output		280 mW (at 10% harmonic distortion)
Output		Earphone jack (minijack)
Power requirements		4.5 V DC Three R6 (size AA) batteries DC IN 4.5 V jack accepts: Sony AC-E45M AC power adaptor (optional) Sony DCC-E145L car battery cord (optional) for use with 12 V car battery
Battery life		Approx. 15 hours of listening for 4 hours a day at a normal volume using Sony batteries SUM-3 (NS)
Dimensions		Approx. 195×95×32.5 mm (w/h/d) (7 <sup>7</sup> / <sub>8</sub> ×3 <sup>3</sup> / <sub>4</sub> ×1 <sup>1</sup> / <sub>16</sub> inches) not incl. projecting parts and controls
Weight		Approx. 440 g (15.5 oz) incl. batteries
Supplied accessory		FM antenna coupler (1. Models for Switzerland and Belgium)

Design and specifications subject to change without notice.

#### Note

This appliance conforms with EEC Directive 87/308/EEC regarding interference suppression.

### FEATURES

- A quartz-controlled PLL(Phase Locked Loop) synthesizer system using a microcomputer for easy pinpoint tuning.
- Up to 5 stations in each band can be preset.
- The tuned frequency is digitally displayed to make searching of the desired station easier.
- The radio can be turned on at the preset time.

#### Note on MW tuning interval

The MW tuning interval differs depending on areas. The tuning interval of this unit is factory-set to 10 KHz or to 9 kHz to match the frequency allocation system of the country as listed. You can change the interval. (See "Changing MW Tuning Interval" on page 2.)

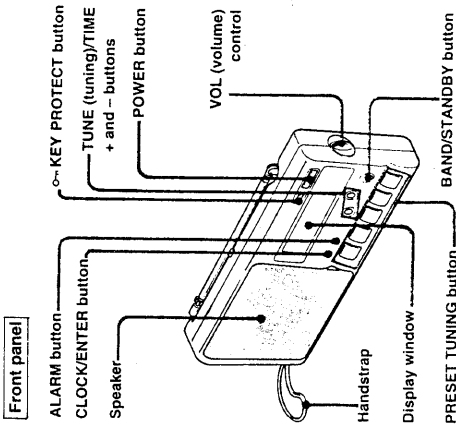
Area	MW tuning interval
North American countries	10 kHz
Other countries	9 kHz

FM/MW/LW 3 BAND  
PLL SYNTHESIZED RECEIVER  
**SONY**®

SECTION 1  
GENERAL

This section is extracted from instruction manual.

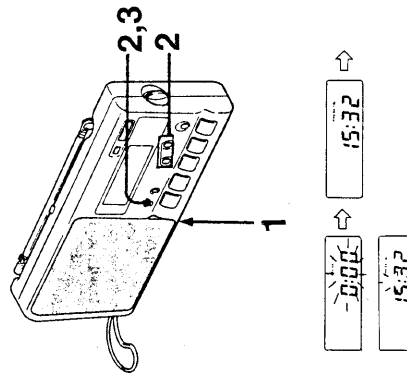
Location and Function of Controls



6

Setting the Clock

Set the clock or display time when the radio is turned off.

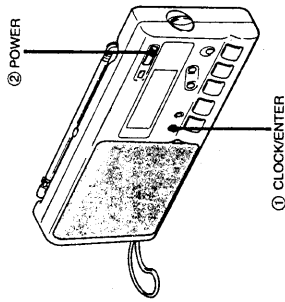


12

Changing the MW Tuning Interval

- 1 Make sure that the radio is turned off.
- 2 While pressing the CLOCK/ENTER button ①, keep pressing the POWER button ② for more than 5 seconds. The MW tuning interval has been changed. If you proceed step 2 again, the interval changes again.

**Note**  
 If you proceed with the step above, the clock and the preset memory are erased, and "0:00" flashes.

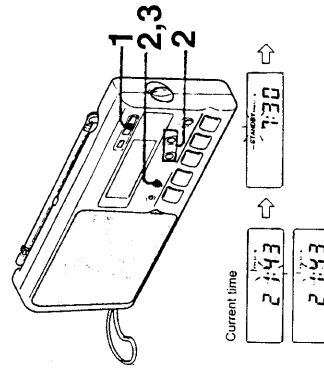


14

Using the Alarm Function

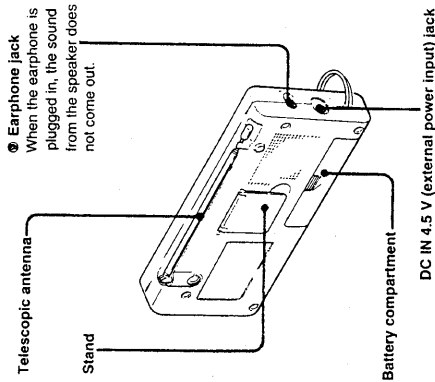
You can turn the radio on at the preset time. It will be tuned in the station before the radio was turned off. The radio will automatically turn off after about 60 minutes, unless you turn it off.

Setting the Alarm Time



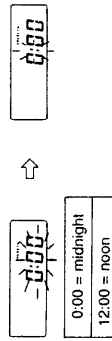
22

Rear panel



7

- 1 When you insert the batteries for the first time, digits flash in the display window. To stop flashing, press the CLOCK/ENTER button.



- 2 While pressing the CLOCK/ENTER button, press the TUNE/TIME + or - button to set the clock to the current time. Each time the button pressed, the digits move forward or back by one. When you keep the button pressed, the digits change rapidly.

- 3 When you release the CLOCK/ENTER button, the clock starts operating, and " " starts flashing. If you release the CLOCK/ENTER button simultaneously with the time signal as it sounds, the clock starts from zero second.

13

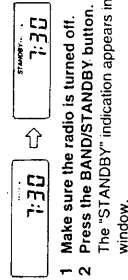
- 1 Make sure the radio is turned off.

- 2 While keeping the ALARM button pressed, set the time by pressing the TUNE/TIME + or - button.

While the ALARM button is pressed, the "STANDBY" indication is flashing in the display window.

- 3 Release the ALARM button.  
 The alarm time is set. The indication becomes the current time.

Setting the Alarm



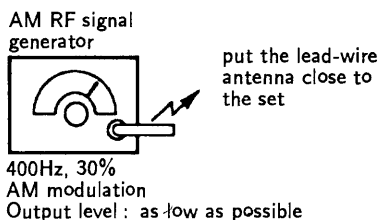
**To cancel the alarm function**  
 Press the BAND/STANDBY button. The "STANDBY" indication disappears.

**Note**  
 When "0:00" is flashing, you cannot set the alarm time nor set the alarm.

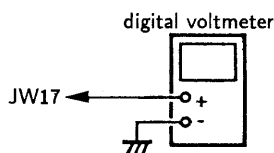
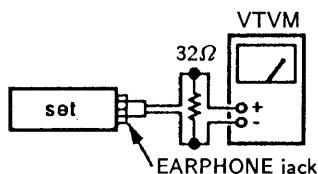
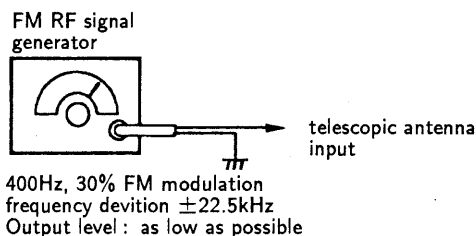
23

## SECTION 2 ADJUSTMENTS

### AM SECTION



### FM SECTION



- Repeat the procedures in each adjustment several times, and the frequency coverage and tracking adjustments should be finally done by the trimmer capacitors.

#### AM IF ADJUSTMENT

Adjust for a maximum reading on VTVM.

T1	450 kHz
----	---------

#### MW FREQUENCY COVERAGE ADJUSTMENT

Adjustment Part	Frequency Display	Reading on Digital Voltmeter
CT4	1602 kHz	$8 \pm 0.1$ V
L11	531 kHz	$1.50 \pm 0.05$ V

Note: Not use the AM RF signal generator in this adjustment.

#### MW TRACKING ADJUSTMENT

Adjust for a maximum reading on VTVM.

L8-1	621 kHz
CT2	1395 kHz

#### LW FREQUENCY COVERAGE ADJUSTMENT

Adjustment Part	Frequency Display	Reading on Digital Voltmeter
CT5	279 kHz	$6.8 \pm 0.1$ V
—	153 kHz	Confirm about 0.9V

Note: Not use the AM RF signal generator in this adjustment.

#### LW TRACKING ADJUSTMENT

Adjust for a maximum reading on VTVM.

L8-2	171 kHz
CT3	252 kHz

#### FM FREQUENCY COVERAGE ADJUSTMENT

Adjustment Part	Frequency Display	Reading on Digital Voltmeter
L4	108 MHz	$8 \pm 0.1$ V
—	87.5 MHz	Confirm about 1.25V

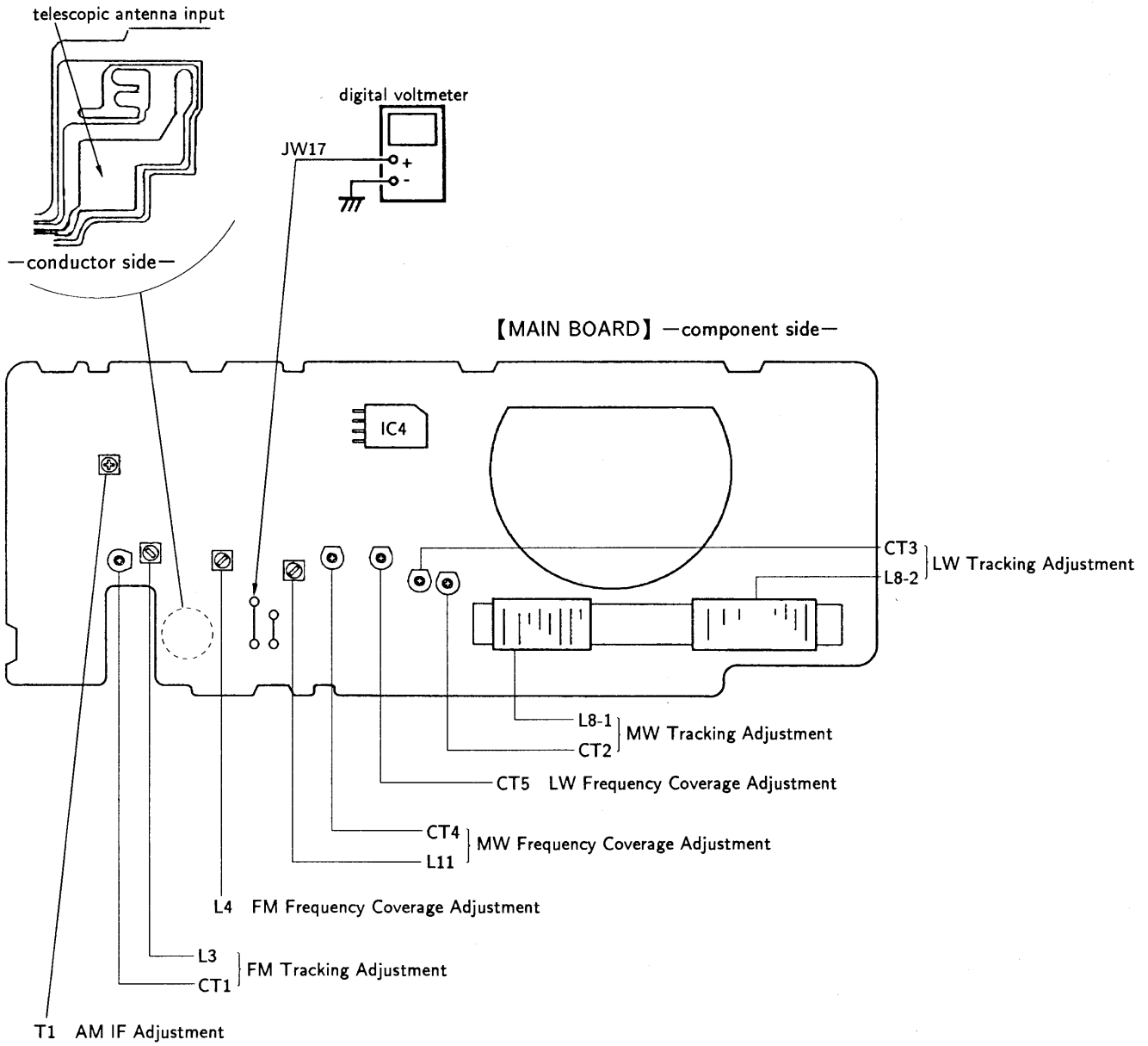
Note: Not use the FM RF signal generator in this adjustment.

#### FM TRACKING ADJUSTMENT

Adjust for a maximum reading on VTVM.

L3	87.5 MHz
CT1	108 MHz

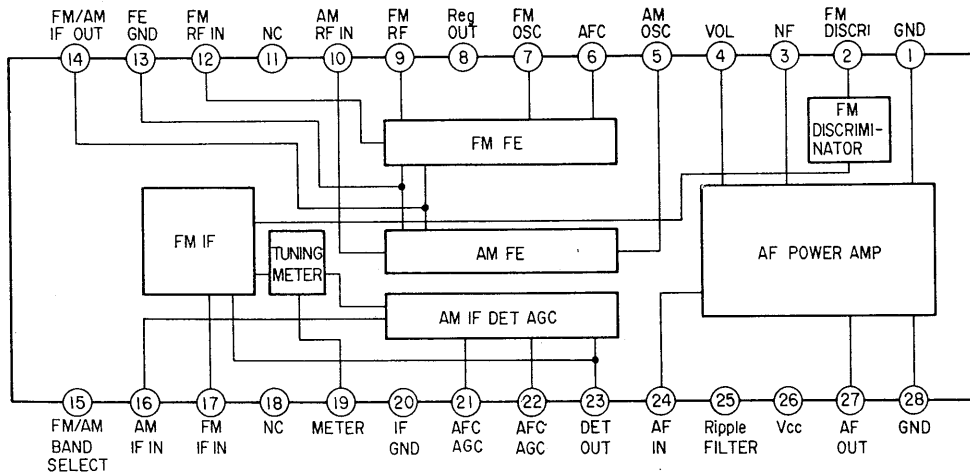
# Adjustment Location



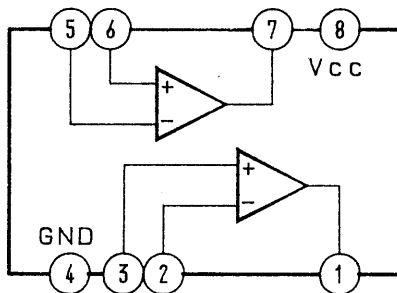
## SECTION 3 DIAGRAMS

### 3-1. IC BLOCK DIAGRAMS

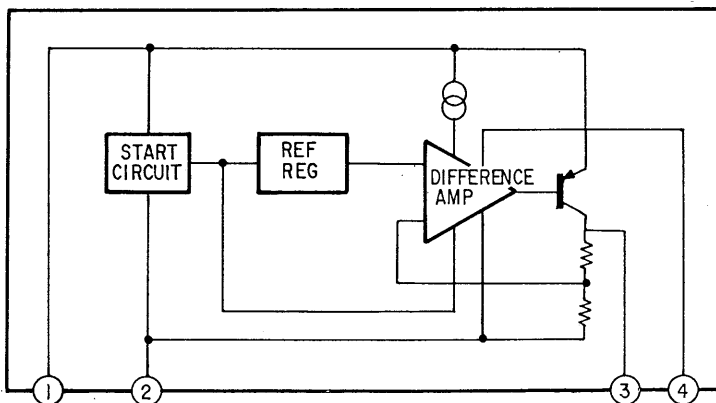
IC1 CXA1019M



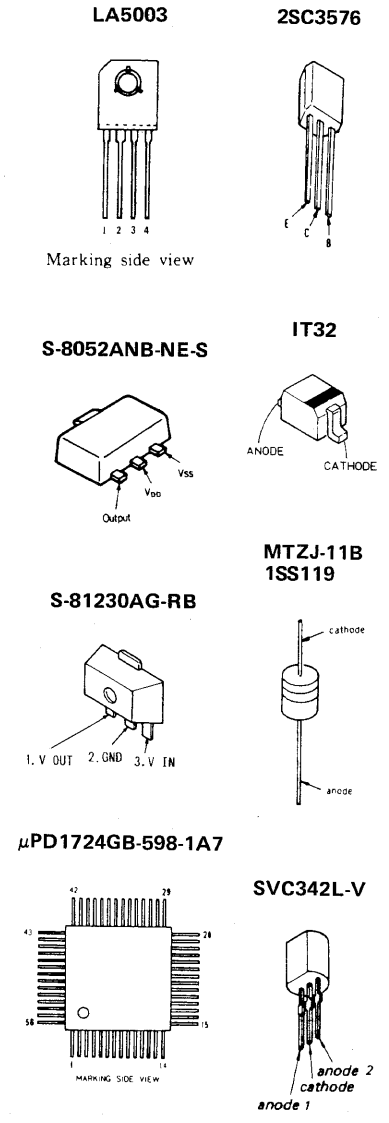
IC2 BA10393F



IC4 LA5003



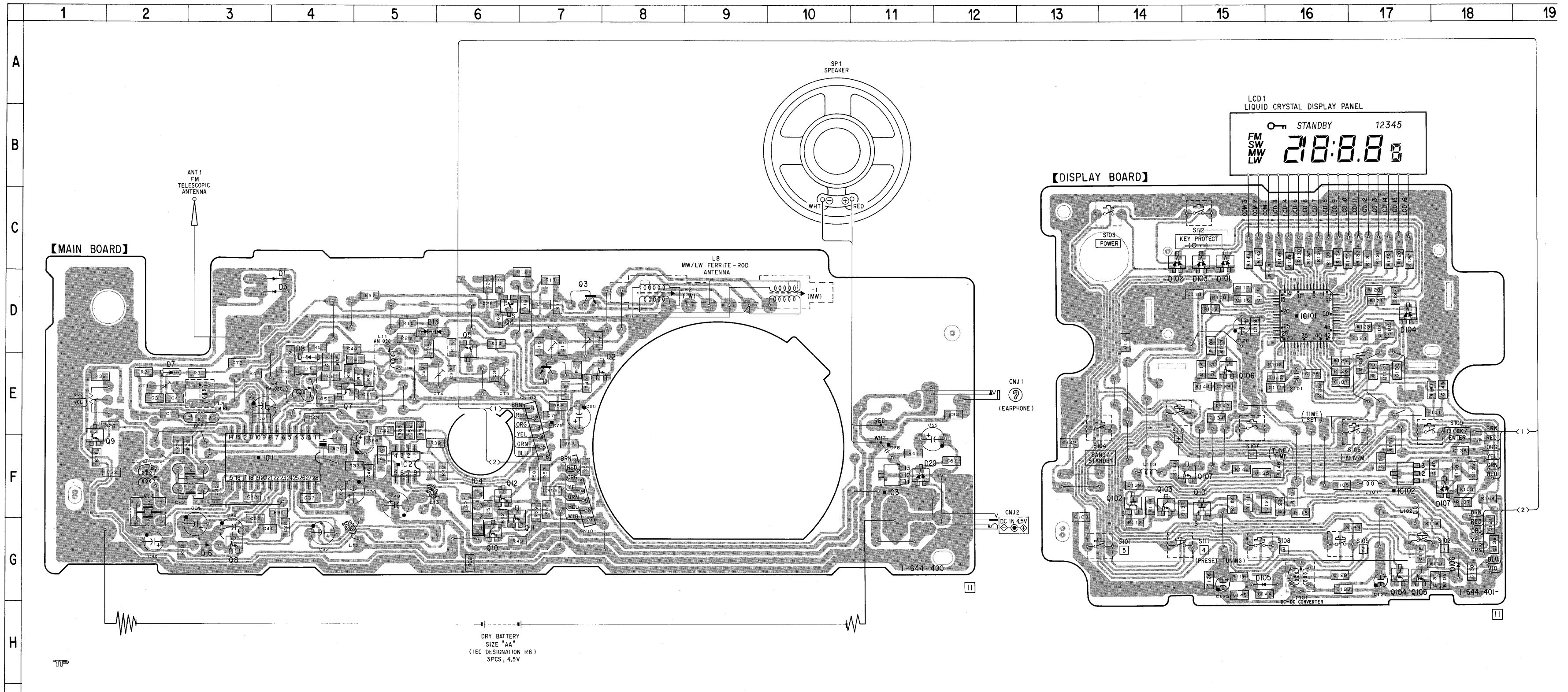
3-2. SEMICONDUCTOR LEAD LAYOUTS



● Semiconductor Location

Ref. No.	Location
D1	D-4
D3	D-4
D7	E-2
D8	E-4
D13	D-5
D16	G-3
D20	F-11
D101	C-15
D102	C-14
D103	C-15
D104	C-17
D105	G-15
D106	G-18
D107	F-18
IC1	F-3
IC2	F-5
IC3	F-11
IC4	F-6
IC101	D-16
IC102	F-17
Q1	E-7
Q2	E-7
Q3	D-7
Q4	D-6
Q5	D-6
Q7	E-4
Q8	G-3
Q9	F-1
Q10	G-6
Q11	F-6
Q12	F-6
Q101	F-15
Q102	F-14
Q103	F-14
Q104	G-17
Q105	G-17
Q106	E-15
Q107	F-15

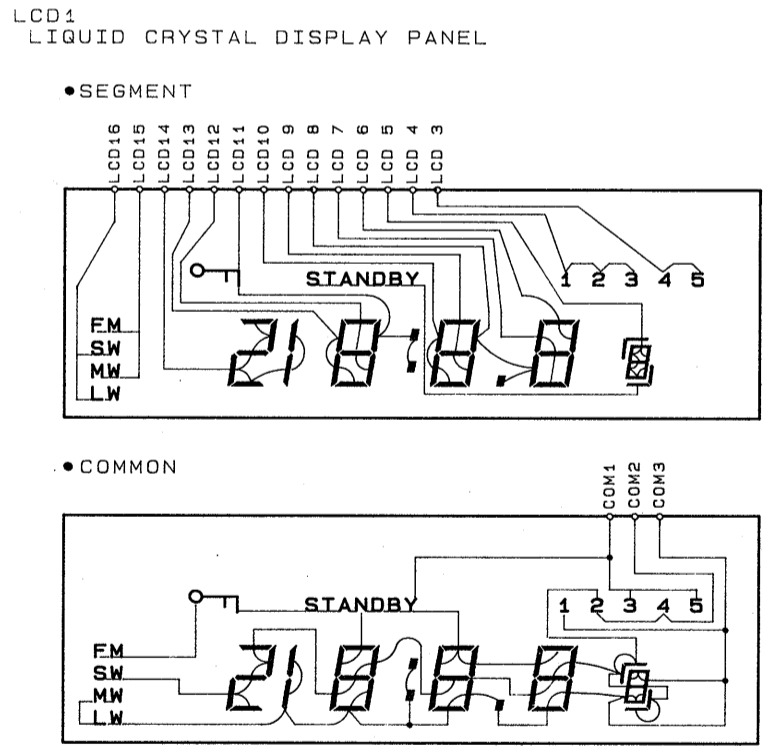
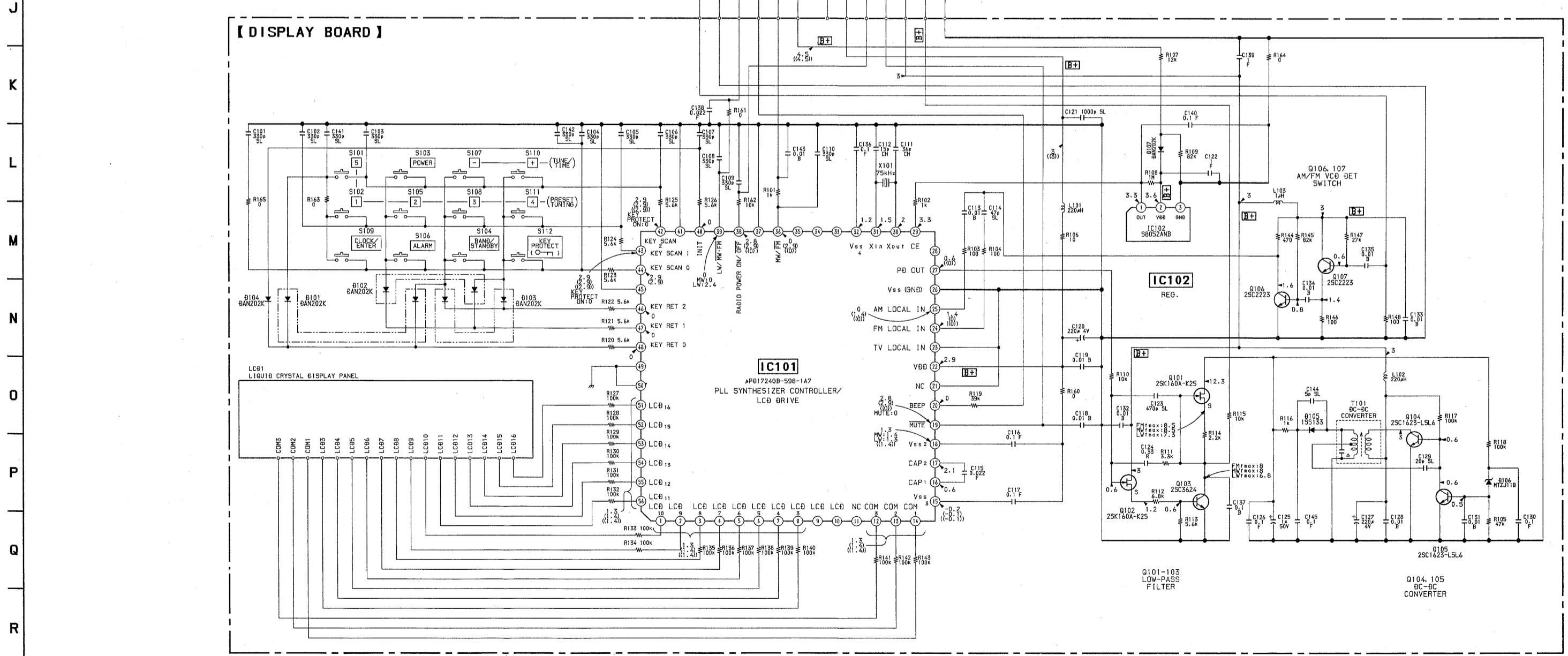
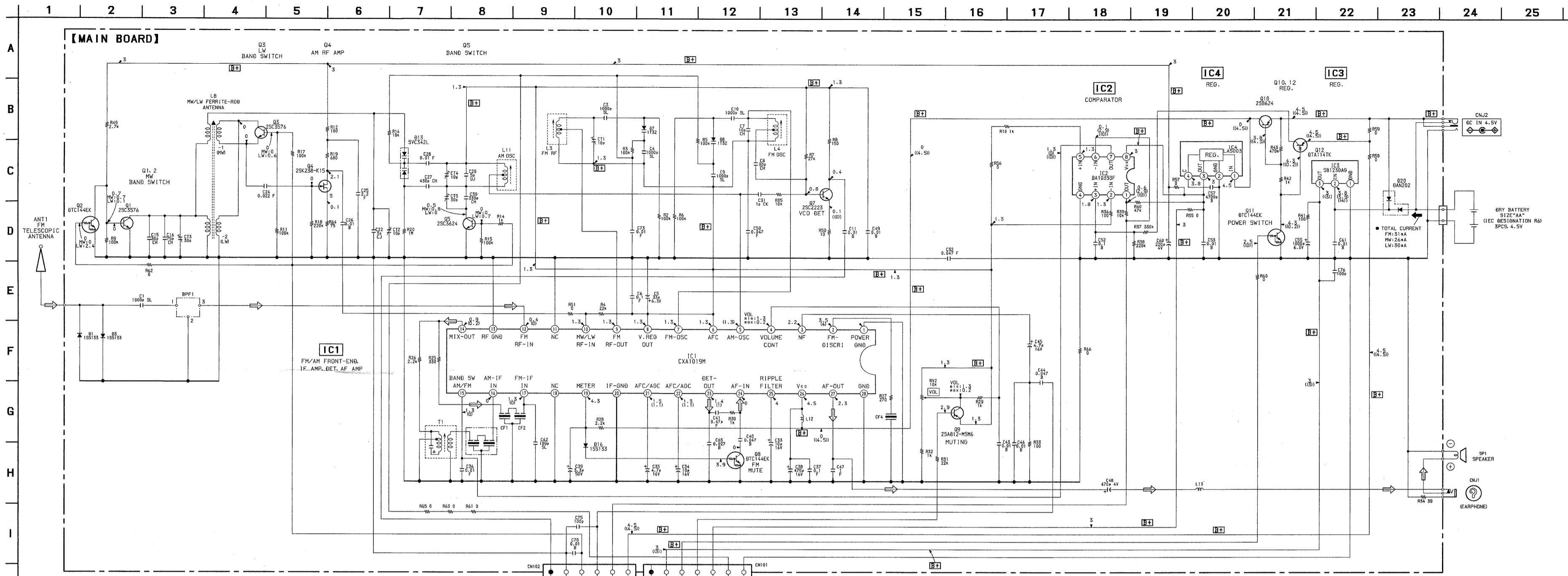
3-3. PRINTED WIRING BOARDS



Note:

- : parts extracted from the component side.
- : parts extracted from the conductor side.
- : parts mounted on the conductor side.
- ▨ : Pattern on the side which is seen.

34. SCHEMATIC DIAGRAM

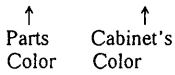


- Note:**
- All capacitors are in μF unless otherwise noted. pF: μμF
  - 50WV or less are not indicated except for electrolytics and tantalums.
  - All resistors are in Ω and 1/4 W or less unless otherwise specified.
  - Δ : internal component.
  - B+ : B+ line.
  - Power voltage is dc 4.5V and fed with regulated dc power supply from external power voltage jack.
  - Voltage and waveforms are dc with respect to ground under no-signal (detuned) conditions.
  - no mark: FM
  - ( ): AM (MW/LW)
  - ( | ): OFF mode
  - Voltages are taken with a VOM. (Input impedance 10MΩ)
  - Voltage variations may be noted due to normal production tolerances.
  - Signal path.
  - ↪ : FM

## SECTION 4 EXPLODED VIEW

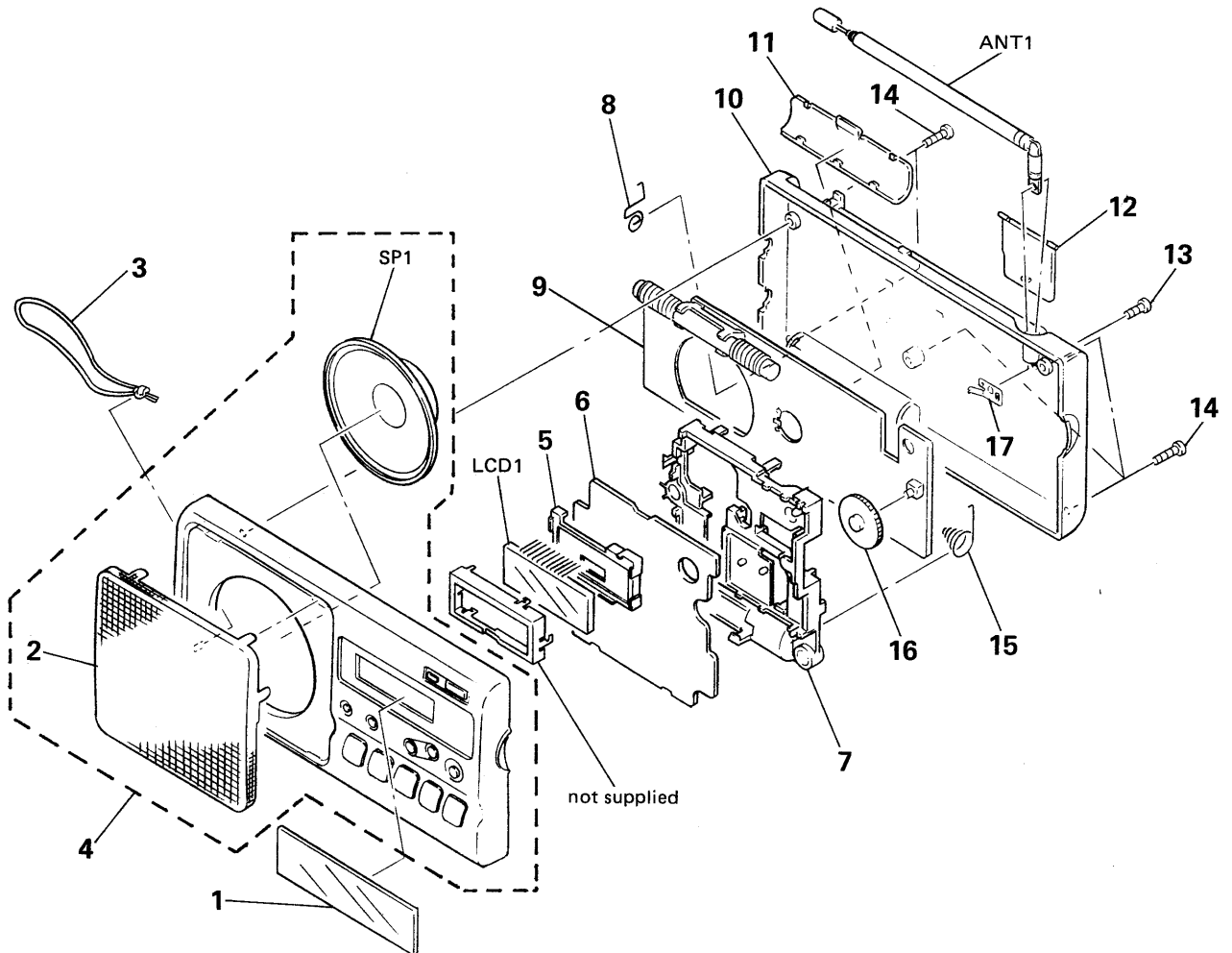
**NOTE:**

- -XX,-X mean standardized parts, so they may have some difference from the original one.
- Color indication of Appearance Parts.  
Example:  
KNOB,BALANCE (WHITE) ... (RED)



- Items marked "\*" are not stocked since they are seldom required for routine service. Some delay should be anticipated when ordering these items.
- The mechanical parts with no reference number in the exploded views are not supplied.

- Hardware (# mark) list is given in the last of this parts list.



Ref. No.	Part No.	Description	Remark
1	3-380-334-01	WINDOW... (BLACK)	
1	3-380-334-11	WINDOW... (WHITE)	
2	3-380-340-01	NET, SPEAKER... (BLACK)	
2	3-380-340-11	NET, SPEAKER... (WHITE)	
3	3-902-226-01	STRAP, HAND	
4	X-3365-466-1	CABINET (FRONT) ASSY... (BLACK)	
4	X-3365-467-1	CABINET (FRONT) ASSY... (WHITE)	
5	3-380-336-01	HOLDER (LCD)	
* 6	A-3679-394-A	DISPLAY BOARD, COMPLETE	
* 7	3-380-329-01	CHASSIS	
8	3-380-341-01	SPRING (+), BATTERY COIL	
* 9	A-3679-393-A	MAIN BOARD, COMPLETE	
10	3-380-328-01	CABINET (REAR)... (BLACK)	
10	3-380-328-11	CABINET (REAR)... (WHITE)	

Ref. No.	Part No.	Description	Remark
11	3-899-907-21	LID, BATTERY CASE... (BLACK)	
11	3-899-907-31	LID, BATTERY CASE... (WHITE)	
12	3-380-335-01	STAND... (BLACK)	
12	3-380-335-11	STAND... (WHITE)	
13	3-370-475-01	SCREW (NYLOCK +B 3X6)	
14	7-685-649-79	SCREW +P 3X14 TYPE2 NON-SLIT	
15	3-380-343-01	SPRING (-), BATTERY COIL	
16	3-380-333-01	KNOB... (BLACK)	
16	3-380-333-11	KNOB... (WHITE)	
17	3-380-339-01	PLATE (ANT), CONTACT	
ANT1	1-501-362-11	ANTENNA, TELESCOPIC	
LCD1	1-809-735-11	DISPLAY PANEL, LIQUID CRYSTAL	
SP1	1-544-756-11	SPEAKER (7CM)	



**SECTION 5  
ELECTRICAL PARTS LIST**

**NOTE:**

- Due to standardization, replacements in the parts list may be different from the parts specified in the diagrams or the components used on the set.
- -XX and -X mean standardized parts, so they may have some difference from the original one.
- RESISTORS  
All resistors are in ohms.  
METAL: Metal-film resistor.  
METAL OXIDE: Metal oxide-film resistor.  
F: Nonflammable

- Items marked "\*" are not stocked since they are seldom required for routine service. Some delay should be anticipated when ordering these items.
- SEMICONDUCTORS  
In each case, u:  $\mu$ , for example:  
uA.:  $\mu$ A. uPA.:  $\mu$ PA.  
uPB.:  $\mu$ PB. uPC.:  $\mu$ PC. uPD.:  $\mu$ PD.
- CAPACITORS  
uF:  $\mu$ F
- COILS  
uH:  $\mu$ H

When indicating parts by reference number, please include the board.

Ref. No.	Part No.	Description	Remark	Ref. No.	Part No.	Description	Remark
*	A-3679-394-A	DISPLAY BOARD, COMPLETE *****		C136	1-163-038-00	CERAMIC CHIP 0.1uF	25V
	3-380-336-01	HOLDER (LCD)		C137	1-164-004-11	CERAMIC CHIP 0.1uF	10% 25V
	< CAPACITOR >			C138	1-163-033-00	CERAMIC CHIP 0.022uF	50V
C101	1-163-129-00	CERAMIC CHIP 330PF	5% 50V	C139	1-164-346-11	CERAMIC CHIP 1uF	16V
C102	1-163-129-00	CERAMIC CHIP 330PF	5% 50V	C140	1-163-038-00	CERAMIC CHIP 0.1uF	25V
C103	1-163-129-00	CERAMIC CHIP 330PF	5% 50V	C141	1-163-129-00	CERAMIC CHIP 330PF	5% 50V
C104	1-163-129-00	CERAMIC CHIP 330PF	5% 50V	C142	1-163-129-00	CERAMIC CHIP 330PF	5% 50V
C105	1-163-129-00	CERAMIC CHIP 330PF	5% 50V	C143	1-164-232-11	CERAMIC CHIP 0.01uF	50V
C106	1-163-129-00	CERAMIC CHIP 330PF	5% 50V	C144	1-163-088-00	CERAMIC CHIP 5PF	50V
C107	1-163-129-00	CERAMIC CHIP 330PF	5% 50V	C145	1-163-038-00	CERAMIC CHIP 0.1uF	25V
C108	1-163-129-00	CERAMIC CHIP 330PF	5% 50V	< DIODE >			
C109	1-163-129-00	CERAMIC CHIP 330PF	5% 50V	D101	8-719-400-18	DIODE MA152WK	
C110	1-163-129-00	CERAMIC CHIP 330PF	5% 50V	D102	8-719-400-18	DIODE MA152WK	
C111	1-163-106-00	CERAMIC CHIP 36PF	5% 50V	D103	8-719-400-18	DIODE MA152WK	
C112	1-163-097-00	CERAMIC CHIP 15PF	5% 50V	D104	8-719-400-18	DIODE MA152WK	
C113	1-164-232-11	CERAMIC CHIP 0.01uF	50V	D105	8-719-911-19	DIODE 1SS119	
C114	1-163-109-00	CERAMIC CHIP 47PF	5% 50V	D106	8-719-921-80	DIODE MTZJ-11B	
C115	1-163-033-00	CERAMIC CHIP 0.022uF	50V	D107	8-719-400-18	DIODE MA152WK	
C116	1-163-038-00	CERAMIC CHIP 0.1uF	25V	< IC >			
C117	1-163-038-00	CERAMIC CHIP 0.1uF	25V	IC101	8-759-084-66	IC uPD1724GB-598-1A7	
C118	1-164-232-11	CERAMIC CHIP 0.01uF	50V	IC102	8-759-945-21	IC S-8052ANB-NE-S	
C119	1-163-059-00	CERAMIC CHIP 0.01uF	10% 50V	< COIL >			
C120	1-124-576-11	ELECT 220uF	20% 4V	L101	1-410-336-11	INDUCTOR 220uH	
C121	1-163-141-00	CERAMIC CHIP 0.001uF	5% 50V	L102	1-410-336-11	INDUCTOR 220uH	
C122	1-164-346-11	CERAMIC CHIP 1uF	16V	L103	1-414-142-31	INDUCTOR 1uH	
C123	1-163-133-00	CERAMIC CHIP 470PF	5% 50V	< LIQUID CRYSTAL DISPLAY >			
C124	1-164-006-11	CERAMIC CHIP 0.33uF	10% 16V	LCD1	1-809-735-11	DISPLAY PANEL, LIQUID CRYSTAL	
C125	1-126-160-11	ELECT 1uF	20% 50V	< TRANSISTOR >			
C126	1-163-038-00	CERAMIC CHIP 0.1uF	25V	Q101	8-729-117-83	TRANSISTOR 2SK160A-K25	
C127	1-124-434-00	ELECT 220uF	20% 4V	Q102	8-729-117-83	TRANSISTOR 2SK160A-K25	
C128	1-164-232-11	CERAMIC CHIP 0.01uF	50V	Q103	8-729-107-46	TRANSISTOR 2SC3624A-L15	
C129	1-163-100-00	CERAMIC CHIP 20PF	5% 50V	Q104	8-729-100-66	TRANSISTOR 2SC1623	
C130	1-163-077-00	CERAMIC CHIP 0.1uF	10% 25V	Q105	8-729-100-66	TRANSISTOR 2SC1623	
C131	1-164-232-11	CERAMIC CHIP 0.01uF	50V	Q106	8-729-102-07	TRANSISTOR 2SC2223-F13	
C132	1-164-232-11	CERAMIC CHIP 0.01uF	50V	Q107	8-729-102-07	TRANSISTOR 2SC2223-F13	
C133	1-164-232-11	CERAMIC CHIP 0.01uF	50V				
C134	1-164-232-11	CERAMIC CHIP 0.01uF	50V				
C135	1-164-232-11	CERAMIC CHIP 0.01uF	50V				

**DISPLAY**

**MAIN**

Ref. No.	Part No.	Description	Remark			Ref. No.	Part No.	Description	Remark		
< RESISTOR >											
R101	1-216-049-00	METAL CHIP	1K	5%	1/10W	R146	1-216-025-00	METAL CHIP	100	5%	1/10W
R102	1-216-049-00	METAL CHIP	1K	5%	1/10W	R147	1-216-083-00	METAL CHIP	27K	5%	1/10W
R103	1-216-025-00	METAL CHIP	100	5%	1/10W	R148	1-216-025-00	METAL CHIP	100	5%	1/10W
R104	1-216-025-00	METAL CHIP	100	5%	1/10W	R160	1-216-295-00	METAL CHIP	0	5%	1/10W
R105	1-216-089-00	METAL CHIP	47K	5%	1/10W	R161	1-216-295-00	METAL CHIP	0	5%	1/10W
R106	1-216-001-00	METAL CHIP	10	5%	1/10W	R162	1-216-073-00	METAL CHIP	10K	5%	1/10W
R107	1-216-075-00	METAL CHIP	12K	5%	1/10W	R163	1-216-295-00	METAL CHIP	0	5%	1/10W
R108	1-216-121-00	METAL CHIP	1M	5%	1/10W	R164	1-216-295-00	METAL CHIP	0	5%	1/10W
R109	1-216-095-00	METAL CHIP	82K	5%	1/10W	R165	1-216-295-00	METAL CHIP	0	5%	1/10W
R110	1-216-073-00	METAL CHIP	10K	5%	1/10W	< SWITCH >					
R111	1-216-061-00	METAL CHIP	3.3K	5%	1/10W	S101	1-571-760-11	SWITCH, KEY BOARD (5 (PRESET TUNING))			
R112	1-216-069-00	METAL CHIP	6.8K	5%	1/10W	S102	1-571-760-11	SWITCH, KEY BOARD (1 (PRESET TUNING))			
R113	1-216-067-00	METAL CHIP	5.6K	5%	1/10W	S103	1-571-760-11	SWITCH, KEY BOARD (POWER)			
R114	1-216-057-00	METAL CHIP	2.2K	5%	1/10W	S104	1-571-760-11	SWITCH, KEY BOARD (BAND/STANDBY)			
R115	1-216-073-00	METAL CHIP	10K	5%	1/10W	S105	1-571-760-11	SWITCH, KEY BOARD (2 (PRESET TUNING))			
R116	1-216-049-00	METAL CHIP	1K	5%	1/10W	S106	1-571-760-11	SWITCH, KEY BOARD (ALARM)			
R117	1-216-097-00	METAL CHIP	100K	5%	1/10W	S107	1-571-760-11	SWITCH, KEY BOARD (- (TUNE/TIME))			
R118	1-216-097-00	METAL CHIP	100K	5%	1/10W	S108	1-571-760-11	SWITCH, KEY BOARD (3 (PRESET TUNING))			
R119	1-216-689-11	METAL CHIP	39K	0.5%	1/10W	S109	1-571-760-11	SWITCH, KEY BOARD (CLOCK/ENTER)			
R120	1-216-067-00	METAL CHIP	5.6K	5%	1/10W	S110	1-571-760-11	SWITCH, KEY BOARD (+ (TUNE/TIME))			
R121	1-216-067-00	METAL CHIP	5.6K	5%	1/10W	S111	1-571-760-11	SWITCH, KEY BOARD (4 (PRESET TUNING))			
R122	1-216-067-00	METAL CHIP	5.6K	5%	1/10W	S112	1-572-596-21	SWITCH, KEY BOARD (KEY PROTECT)			
R123	1-216-067-00	METAL CHIP	5.6K	5%	1/10W	< TRANSFORMER >					
R124	1-216-067-00	METAL CHIP	5.6K	5%	1/10W	T101	1-449-138-61	TRANSFORMER, DC-DC CONVERTER			
R125	1-216-067-00	METAL CHIP	5.6K	5%	1/10W	< VIBRATOR >					
R126	1-216-067-00	METAL CHIP	5.6K	5%	1/10W	X101	1-567-769-11	VIBRATOR, CRYSTAL (75KHz)			
R127	1-216-097-00	METAL CHIP	100K	5%	1/10W	*****					
R128	1-216-097-00	METAL CHIP	100K	5%	1/10W	*	A-3679-393-A	MAIN BOARD, COMPLETE			
R129	1-216-097-00	METAL CHIP	100K	5%	1/10W	*****					
R130	1-216-097-00	METAL CHIP	100K	5%	1/10W	< BAND PASS >					
R131	1-216-097-00	METAL CHIP	100K	5%	1/10W	BPF1	1-236-711-21	FILTER, BAND PASS			
R132	1-216-097-00	METAL CHIP	100K	5%	1/10W	< CAPACITOR >					
R133	1-216-097-00	METAL CHIP	100K	5%	1/10W	C1	1-163-141-00	CERAMIC CHIP	0.001uF	5%	50V
R134	1-216-097-00	METAL CHIP	100K	5%	1/10W	C3	1-163-141-00	CERAMIC CHIP	0.001uF	5%	50V
R135	1-216-097-00	METAL CHIP	100K	5%	1/10W	C4	1-163-141-00	CERAMIC CHIP	0.001uF	5%	50V
R136	1-216-097-00	METAL CHIP	100K	5%	1/10W	C5	1-131-374-00	TANTALUM	33uF	10%	16V
R137	1-216-097-00	METAL CHIP	100K	5%	1/10W	C6	1-163-077-00	CERAMIC CHIP	0.1uF	10%	25V
R138	1-216-097-00	METAL CHIP	100K	5%	1/10W						
R139	1-216-097-00	METAL CHIP	100K	5%	1/10W						
R140	1-216-097-00	METAL CHIP	100K	5%	1/10W						
R141	1-216-097-00	METAL CHIP	100K	5%	1/10W						
R142	1-216-097-00	METAL CHIP	100K	5%	1/10W						
R143	1-216-097-00	METAL CHIP	100K	5%	1/10W						
R144	1-216-041-00	METAL CHIP	470	5%	1/10W						
R145	1-216-095-00	METAL CHIP	82K	5%	1/10W						

Ref. No.	Part No.	Description	Remark	Ref. No.	Part No.	Description	Remark
C7	1-163-227-11	CERAMIC CHIP 10PF	5% 50V			< FILTER >	
C8	1-163-104-00	CERAMIC CHIP 30PF	5% 50V				
C9	1-163-141-00	CERAMIC CHIP 0.001uF	5% 50V				
C10	1-163-141-00	CERAMIC CHIP 0.001uF	5% 50V				
C11	1-164-232-11	CERAMIC CHIP 0.01uF	50V				
C15	1-163-104-00	CERAMIC CHIP 30PF	5% 50V				
C16	1-163-114-00	CERAMIC CHIP 75PF	5% 50V				
C22	1-163-220-11	CERAMIC CHIP 3PF	50V				
C24	1-163-033-00	CERAMIC CHIP 0.022uF	50V				
C25	1-164-505-11	CERAMIC CHIP 2.2uF	16V				
C26	1-164-232-11	CERAMIC CHIP 0.01uF	50V				
C27	1-163-132-00	CERAMIC CHIP 430PF	5% 50V				
C28	1-163-031-11	CERAMIC CHIP 0.01uF	50V				
C29	1-163-088-00	CERAMIC CHIP 5PF	50V				
C30	1-163-263-11	CERAMIC CHIP 330PF	5% 50V				
C31	1-163-217-11	CERAMIC CHIP 1PF	0.25PF 50V				
C32	1-163-075-00	CERAMIC CHIP 0.047uF	50V				
C33	1-126-157-11	ELECT 10uF	20% 16V				
C34	1-126-157-11	ELECT 10uF	20% 16V				
C35	1-126-163-11	ELECT 4.7uF	20% 50V				
C36	1-163-031-11	CERAMIC CHIP 0.01uF	50V				
C37	1-163-077-00	CERAMIC CHIP 0.1uF	10% 25V				
C38	1-126-935-11	ELECT 470uF	20% 16V				
C39	1-126-162-11	ELECT 3.3uF	20% 50V				
C40	1-163-809-11	CERAMIC CHIP 0.047uF	10% 25V				
C41	1-164-005-11	CERAMIC CHIP 0.47uF	25V				
C43	1-164-232-11	CERAMIC CHIP 0.01uF	50V				
C44	1-163-809-11	CERAMIC CHIP 0.047uF	10% 25V				
C45	1-126-163-11	ELECT 4.7uF	20% 50V				
C46	1-164-232-11	CERAMIC CHIP 0.01uF	50V				
C47	1-162-638-11	CERAMIC CHIP 1uF	16V				
C48	1-104-483-91	ELECT 470uF	20% 4V				
C49	1-164-232-11	CERAMIC CHIP 0.01uF	50V				
C50	1-163-035-00	CERAMIC CHIP 0.047uF	50V				
C52	1-164-004-11	CERAMIC CHIP 0.1uF	10% 25V				
C53	1-164-232-11	CERAMIC CHIP 0.01uF	50V				
C55	1-124-471-00	ELECT 1000uF	20% 6.3V				
C57	1-163-017-00	CERAMIC CHIP 0.047uF	10% 50V				
C60	1-124-434-00	ELECT 220uF	20% 4V				
C61	1-164-232-11	CERAMIC CHIP 0.01uF	50V				
C62	1-163-117-00	CERAMIC CHIP 100PF	5% 50V				
C65	1-163-986-00	CERAMIC CHIP 0.027uF	10% 25V				
C70	1-164-232-11	CERAMIC CHIP 0.01uF	50V				
C73	1-163-031-11	CERAMIC CHIP 0.01uF	50V				
C75	1-102-973-00	CERAMIC 100PF	5% 50V				
C76	1-102-973-00	CERAMIC 100PF	5% 50V				
						< CONNECTOR >	
				* CN101	1-506-989-11	PIN, CONNECTOR (PC BOARD) 7P	
				* CN102	1-506-988-11	PIN, CONNECTOR (PC BOARD) 6P	
						< JACK >	
				CNJ1	1-563-836-21	JACK (EARPHONE)	
				CNJ2	1-695-153-11	JACK, EXTERNAL POWER (DC IN 4.5V)	
						< TRIMMER >	
				CT1	1-141-304-21	CAP, TRIMMER 10PF	
				CT2	1-141-304-21	CAP, TRIMMER 10PF	
				CT3	1-141-443-11	TRIMMER, CERAMIC	
				CT4	1-141-304-21	CAP, TRIMMER 10PF	
				CT5	1-141-443-11	TRIMMER, CERAMIC	
						< DIODE >	
				D1	8-719-911-19	DIODE 1SS119	
				D3	8-719-911-19	DIODE 1SS119	
				D7	8-719-949-46	DIODE 1T32	
				D8	8-719-949-46	DIODE 1T32	
				D13	8-719-980-71	DIODE SVC342L-V	
				D16	8-719-911-19	DIODE 1SS119	
				D20	8-719-400-18	DIODE MA152WK	
						< IC >	
				IC1	8-759-605-77	IC CXA1019M-T1	
				IC2	8-759-982-73	IC BA10393F	
				IC3	8-759-939-41	IC S-81230AG-RB	
				IC4	8-759-800-27	IC LA5003	
						< COIL >	
				L3	1-460-339-11	COIL (WITH CORE) (FM-RF)	
				L4	1-459-837-11	COIL (WITH CORE)	
				L8	1-402-622-11	ANTENNA, FERRITE-ROD (LW/MW)	
				L11	1-406-489-11	COIL (OSC)	
				L12	1-410-294-11	INDUCTOR, MICRO	
				L13	1-410-294-11	INDUCTOR, MICRO	
						< TRANSISTOR >	
				Q1	8-729-823-22	TRANSISTOR 2SC3576	
				Q2	8-729-901-01	TRANSISTOR DTC144EK	
				Q3	8-729-823-22	TRANSISTOR 2SC3576	
				Q4	8-729-123-85	TRANSISTOR 2SK238-K15	

**MAIN**

Ref. No.	Part No.	Description	Remark
Q5	8-729-107-46	TRANSISTOR 2SC3624A-L15	
Q7	8-729-102-07	TRANSISTOR 2SC2223-F13	
Q8	8-729-901-01	TRANSISTOR DTC144EK	
Q9	8-729-216-22	TRANSISTOR 2SA1162	
Q10	8-729-141-48	TRANSISTOR 2SB624-BV345	
Q11	8-729-901-01	TRANSISTOR DTC144EK	
Q12	8-729-900-51	TRANSISTOR DTA114TK	
< RESISTOR >			
R2	1-216-097-00	METAL CHIP 100K 5%	1/10W
R3	1-216-097-00	METAL CHIP 100K 5%	1/10W
R4	1-216-081-00	METAL CHIP 22K 5%	1/10W
R5	1-216-097-00	METAL CHIP 100K 5%	1/10W
R6	1-216-097-00	METAL CHIP 100K 5%	1/10W
R7	1-216-083-00	METAL CHIP 27K 5%	1/10W
R8	1-216-029-00	METAL CHIP 150 5%	1/10W
R9	1-216-097-00	METAL CHIP 100K 5%	1/10W
R10	1-216-049-00	METAL CHIP 1K 5%	1/10W
R11	1-216-097-00	METAL CHIP 100K 5%	1/10W
R12	1-216-025-00	METAL CHIP 100 5%	1/10W
R14	1-216-049-00	METAL CHIP 1K 5%	1/10W
R15	1-216-097-00	METAL CHIP 100K 5%	1/10W
R16	1-216-073-00	METAL CHIP 10K 5%	1/10W
R17	1-216-097-00	METAL CHIP 100K 5%	1/10W
R18	1-216-105-00	METAL CHIP 220K 5%	1/10W
R19	1-216-045-00	METAL CHIP 680 5%	1/10W
R20	1-216-121-00	METAL CHIP 1M 5%	1/10W
R25	1-216-037-00	METAL CHIP 330 5%	1/10W
R26	1-216-057-00	METAL CHIP 2.2K 5%	1/10W
R27	1-216-035-00	METAL CHIP 270 5%	1/10W
R28	1-216-057-00	METAL CHIP 2.2K 5%	1/10W
R29	1-216-049-00	METAL CHIP 1K 5%	1/10W
R30	1-216-049-00	METAL CHIP 1K 5%	1/10W
R31	1-216-081-00	METAL CHIP 22K 5%	1/10W
R32	1-216-049-00	METAL CHIP 1K 5%	1/10W
R33	1-216-025-00	METAL CHIP 100 5%	1/10W
R34	1-216-015-00	METAL CHIP 39 5%	1/10W
R35	1-216-073-00	METAL CHIP 10K 5%	1/10W
R36	1-216-025-00	METAL CHIP 100 5%	1/10W
R37	1-216-109-00	METAL CHIP 330K 5%	1/10W
R38	1-216-105-00	METAL CHIP 220K 5%	1/10W
R39	1-216-073-00	METAL CHIP 10K 5%	1/10W
R40	1-216-089-00	METAL CHIP 47K 5%	1/10W
R41	1-216-025-00	METAL CHIP 100 5%	1/10W
R42	1-216-049-00	METAL CHIP 1K 5%	1/10W
R43	1-216-113-00	METAL CHIP 470K 5%	1/10W
R49	1-216-059-00	METAL CHIP 2.7K 5%	1/10W
R50	1-216-001-00	METAL CHIP 10 5%	1/10W
R55	1-216-296-00	METAL CHIP 0 5%	1/8W

Ref. No.	Part No.	Description	Remark
R56	1-216-295-00	METAL CHIP 0 5%	1/10W
R57	1-216-295-00	METAL CHIP 0 5%	1/10W
R58	1-216-296-00	METAL CHIP 0 5%	1/8W
R59	1-216-296-00	METAL CHIP 0 5%	1/8W
R60	1-216-295-00	METAL CHIP 0 5%	1/10W
R61	1-216-295-00	METAL CHIP 0 5%	1/10W
R62	1-216-295-00	METAL CHIP 0 5%	1/10W
R63	1-216-295-00	METAL CHIP 0 5%	1/10W
R64	1-216-022-00	METAL CHIP 75 5%	1/10W
R65	1-216-295-00	METAL CHIP 0 5%	1/10W
R66	1-216-295-00	METAL CHIP 0 5%	1/10W
< VARIABLE RESISTOR >			
RV2	1-238-650-11	RES, VAR, CARBON 10K (VOL)	
< TRANSFORMER >			
T1	1-404-789-21	TRANSFORMER, IF	
*****			
MISCELLANEOUS			
*****			
ANT1	1-501-362-11	ANTENNA, TELESCOPIC	
SP1	1-544-756-11	SPEAKER (7CM)	
*****			
ACCESSORIES & PACKING MATERIALS			
*****			
	1-501-499-11	COUPLER, ANTENNA (Models for Switzerland and Belgium)	
*	3-381-310-01	INDIVIDUAL CARTON	
	3-755-441-11	MANUAL, INSTRUCTION (ENGLISH/FRENCH/ GERMAN/DUTCH/ITALIAN)	