

ICF-M260/M260L

SERVICE MANUAL

AEP Model
ICF-M260/M260L

Canadian Model
UK Model
E Model
Australian Model
ICF-M260



Photo : ICF-M260L

SPECIFICATIONS

Time display: 12-hour system (CND, PA)
24-hour system (EXCEPT CND, PA)

Frequency range:

Band	ICF-M260	ICF-M260L	Channel step
FM	87.5 – 108 MHz	87.5 – 108.0 MHz	0.05 MHz* (EXCEPT CND, PA) (CND, PA)
	531 – 1,602 kHz (EXCEPT CND, PA)	530 – 1,710 kHz (CND, PA)	9 kHz (EXCEPT CND, PA) 10 kHz (CND, PA)
LW	–	153 – 279 kHz	9 kHz
FM	87.5 – 108 MHz	87.5 – 108.0 MHz	0.1 MHz (EXCEPT CND, PA) 0.05 MHz (CND, PA)
	530 – 1,610 kHz (EXCEPT CND, PA)	531 – 1,710 kHz (CND, PA)	10 kHz (EXCEPT CND, PA) 9 kHz (CND, PA)
LW	–	153 – 279 kHz	9 kHz

* The frequency display is raised or lowered by a step of 0.1 MHz.
(Example: Frequency 88.05 MHz is displayed as "88.0 MHz".)

Speaker: 6.6 cm (2⁵/₈ inches) 4 ohm

Power output: 120 mW (at 10% harmonic distortion)

Output: Ⓞ (earphone) jack (minijack)

Power requirements:

3 V DC, two R6 (size AA) batteries

Dimensions: Approx. 130 × 80 × 31 mm (w/h/d) (Approx. 5¹/₈ × 3¹/₂ × 1¹/₄ inches) not incl. projecting parts and controls

Mass: Approx. 260 g (9.2 oz) incl. batteries

Design and specifications are subject to change without notice.

• Abbreviation
CND : Canadian
PA : Panamanian

ICF-M260

FM/AM PLL SYNTHESIZED RADIO

ICF-M260L

FM/LW PLL SYNTHESIZED RADIO

SONY®



TABLE OF CONTENTS

1.	GENERAL	3
2.	DISASSEMBLY	5
3.	ELECTRICAL ADJUSTMENTS	7
4.	DIAGRAMS	
4-1.	Printed Wiring Boards	9
4-2.	Schematic Diagram	13
4-3.	IC Pin Function Description	16
5.	EXPLODED VIEW	17
6.	ELECTRICAL PARTS LIST	18

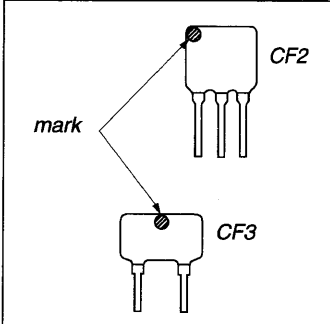
SERVICING NOTES

HOW TO CHANGED THE CERAMIC FILTERS

This model is used two ceramic filters of CF2 and CF3.

You must used same type of color marked ceramic filters in order to meet same specifications.

Therefore, the ceramic filter must changed two pieces together since it's supply two pieces in one package as a spare parts.

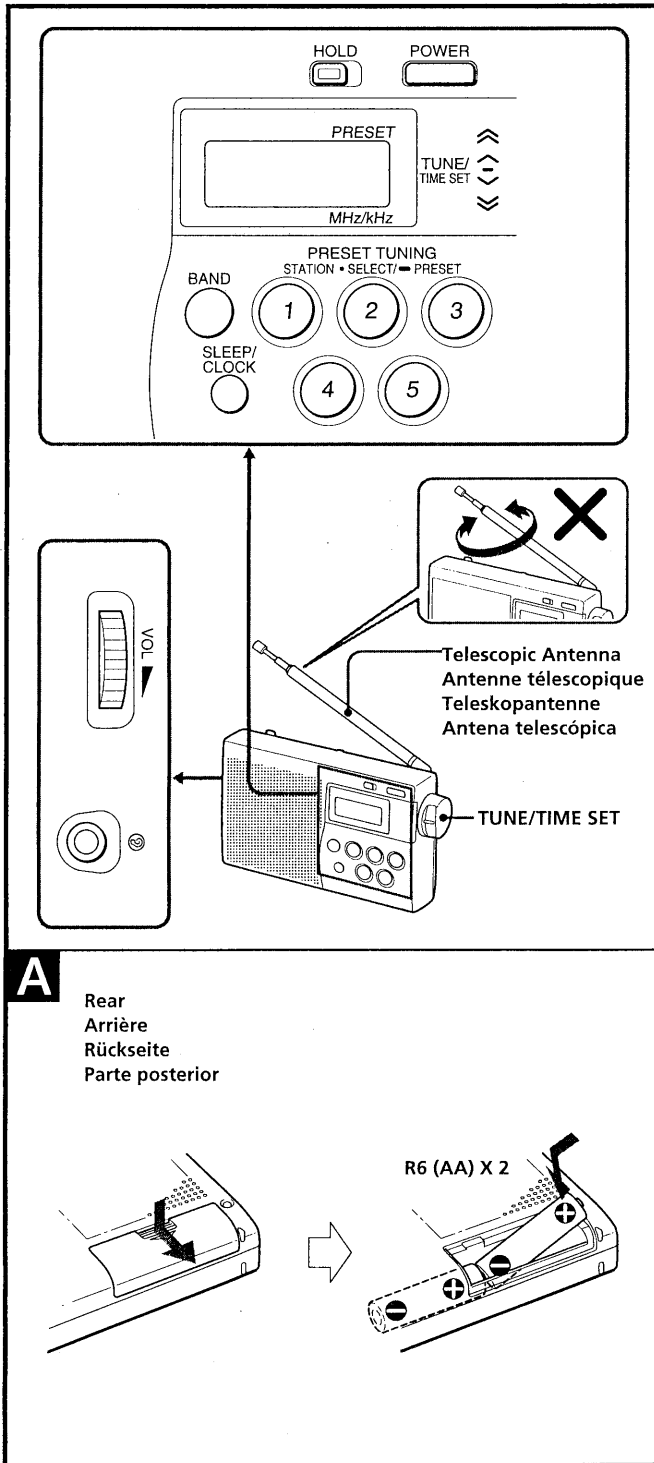
	Mark	Center frequency
	red	10.70 MHz
	blue	10.67 MHz
	orange	10.73 MHz
	black	10.64 MHz
	white	10.76 MHz

Notes on chip component replacement

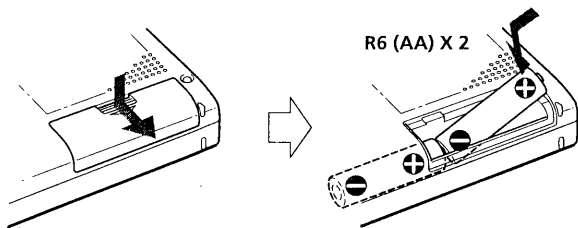
- Never reuse a disconnected chip component.
- Notice that the minus side of a tantalum capacitor may be damaged by heat.

SECTION 1 GENERAL

This section is extracted from instruction manual.



A
Rear
Arrière
Rückseite
Parte posterior



You are cautioned that any changes or modifications not expressly approved in this manual could void your authority to operate this equipment.

Features

- Quartz-controlled PLL (Phase Locked Loop) synthesizer system using a microcomputer for easy pinpoint tuning.
- Up to 10 stations in FM and 5 stations in AM can be preset.
- Tuned frequency is digitally displayed to make searching for the desired station easier.

Notes on AM Channel Step

The AM channel step differs depending on areas. The channel step of this unit is factory-set to 10 kHz / 9 kHz

Installing the Batteries (See Fig. A)

- 1 Open the lid at the rear of the radio.
- 2 Install two R6 (size AA) batteries (not supplied) with correct polarity.
- 3 Close the lid.

Battery Life for using Sony batteries R6 (AA)

Band	(Approx. hours)
FM	17 hours
AM/LW	23 hours

Knowing When to Replace the Batteries

- When the batteries become weak, the sound becomes weak and distorted. Replace the batteries with new ones. When the batteries are completely exhausted, the radio is turned off and "00" flashes.
- Before replacing the batteries, make sure that the radio is turned off.
- Replace the batteries within about one minute. Otherwise, the memories for the clock and the preset stations will be erased "0:00" will flash in the display.

Notes on Batteries

- Insert the batteries with correct polarity.
- Do not charge the dry batteries.
- Do not use different types of batteries at the same time.
- When you replace the batteries, replace both with new ones.
- When the unit is not being used for a long period of time, remove the batteries to avoid damage from battery leakage and corrosion.
- If a battery leakage occurs, wipe the battery compartment with a soft cloth before inserting new ones.

Setting the Clock

The display will flash "0:00" when the batteries are first installed.

Set the clock when the radio is turned off.

- 1 To stop flashing of the display, press **SLEEP/CLOCK**.
- 2 While holding down **SLEEP/CLOCK**, turn **TUNE/TIME SET** to set the clock to the current time.

When you turn the control knob a little to ^ or v, the clock digits move forward or back one by one, and when you turn the control knob further to & or &, the clock digits move rapidly.

When you release **SLEEP/CLOCK**, the clock starts operating, and ":" starts flashing.

- The clock system varies depending on the model you own.
"0:00" = midnight

Changing AM Channel Step

The channel step of this unit is factory-set to 9 kHz or 10 kHz to match the frequency allocation system of the country as listed. When needed, change the channel step before listening to the radio.

- 1 Press **POWER** to turn off the power.
- 2 While holding down **SLEEP/CLOCK**, keep pressing **POWER** for more than 5 seconds. The AM channel step will be changed. If you proceed to step 2 again, the channel step changes again.

Note

- When the AM channel step is changed, the preset stations and the clock will be erased, "0:00" flashes in the display.

Operating the Radio

Manual Tuning

- 1 Press **POWER**.
- 2 Adjust **VOL** (volume).
- 3 Press **BAND** to select the band. Each press of the button changes the band in the following order.

AM (LW) → FM1* → FM2*

* When using FM1 or FM2 preset mode, you may listen to the radio on either mode.
(See "Preset Tuning")

- 4 Turn **TUNE/TIME SET**
When you turn the control knob a little to \sim or \vee , the frequency digits move forward or back one step at a time, and when you turn the control knob further to \approx or \approx , the frequency digits move rapidly.

- To turn off the radio, press **POWER**.
- For private listening, connect an earphone to the Ⓜ jack.
- To improve radio reception
FM: Extend the telescopic antenna and adjust the length.
AM/LW: Rotate the unit horizontally for optimum reception. A ferrite bar antenna is built in the unit.

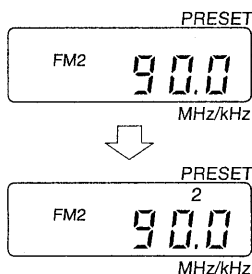
Preset Tuning

You can preset up to 10 stations in FM (5 stations in FM1, 5 stations in FM2), and 5 stations in AM.

Presetting a Station

Example: To set FM 90 MHz in preset button 2 for FM2.

- 1 Press **POWER**.
- 2 Press **BAND** to select FM2.
- 3 Tune in FM 90 MHz.
Press the desired preset button for more than a few seconds (i.e., in this case, preset button 2).
You can hear the confirmation beep and preset number "2" appears in the display.



To preset another station, repeat these steps.

- To change the preset station, preset a new station number. The previous station will be cancelled.

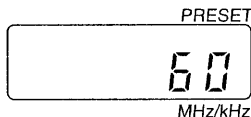
Tuning in a Preset Station

- 1 Press **POWER**.
- 2 Select the band with **BAND**.
- 3 Press the desired preset tuning button.
- 4 Adjust **VOL** (volume).

Setting the Sleep Timer

By setting the sleep timer, you can fall asleep to the radio sound. The radio turns off after 60 minutes.

- 1 Press **POWER**.
- 2 Select the band with **BAND**.
- 3 Tune to the desired station.
- 4 Adjust **VOL** (volume).
- 5 Press **SLEEP/CLOCK**.



The sleep mode will appear in the display and the minutes will start to elapse.

- To turn off the sleep timer before the time has elapsed, press **POWER**.
- When you press **SLEEP/CLOCK** during the sleep mode, the sleep timer will start again at 60 minutes.
- When you press the control button for the radio during the sleep mode, the button function will operate and the frequency will be displayed for about 3 seconds and then return to the sleep mode display.

Using other Functions

To Prevent Accidental Change -HOLD function.

Press **HOLD**. "o—" is displayed, indicating that all the functions of the buttons are locked.
To release the key protection, press **HOLD** again to "o—" disappear.

Precautions

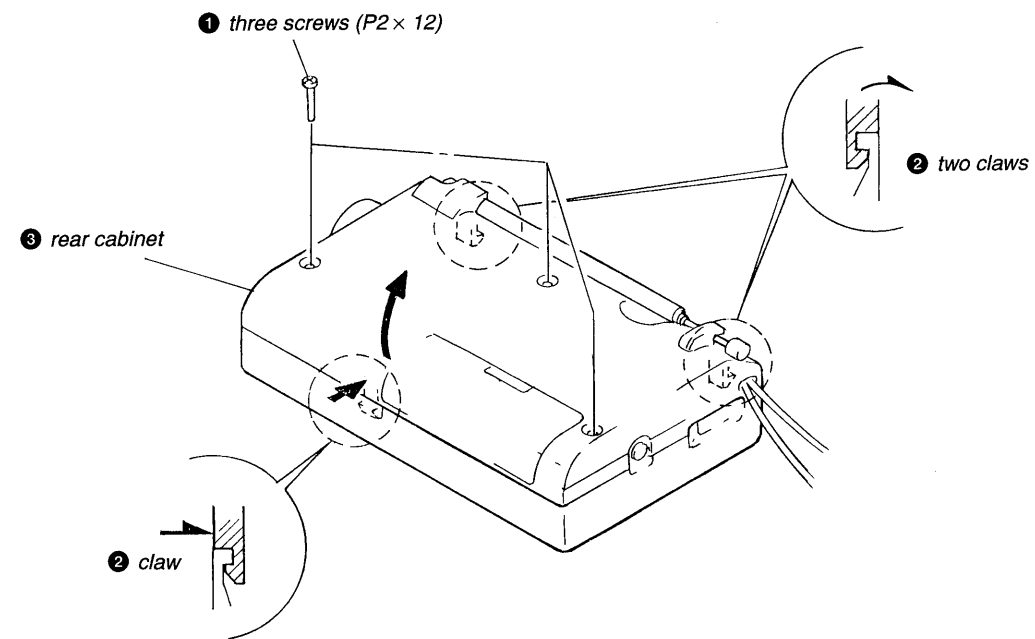
- Operate the unit only on 3 V DC with two R6 (size AA) batteries.
- Avoid exposure to temperature extremes, direct sunlight, moisture, sand, dust or mechanical shock. Never leave in a car parked in the sun.
- Should anything fall into the unit, remove the batteries, and have the unit checked by qualified personnel before operating it any further.
- To clean the casing, use a soft cloth dampened with a mild detergent solution.
- In vehicles or buildings, radio reception may be difficult or noisy. Try listening near a window.

If you have any questions or problems concerning your unit, please consult your nearest Sony dealer.

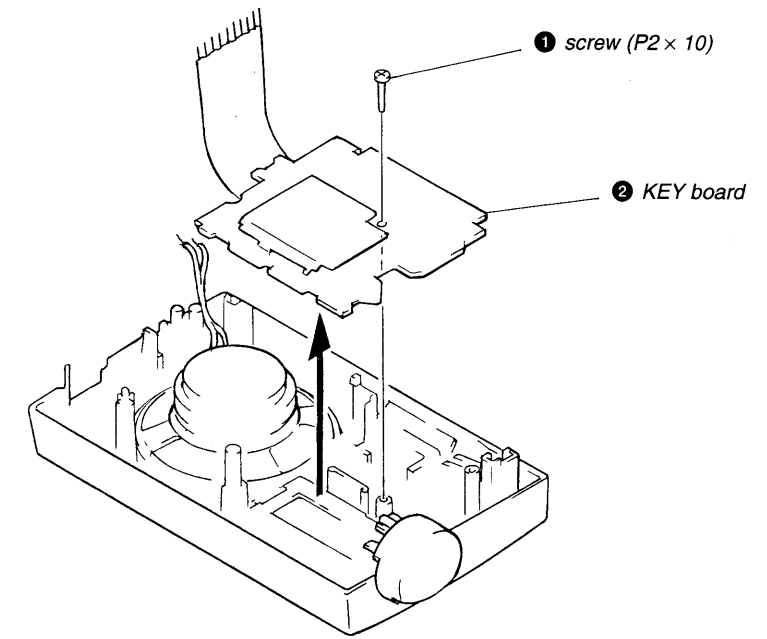
SECTION 2 DISASSEMBLY

Note: Follow the disassembly procedure in the numerical order given.

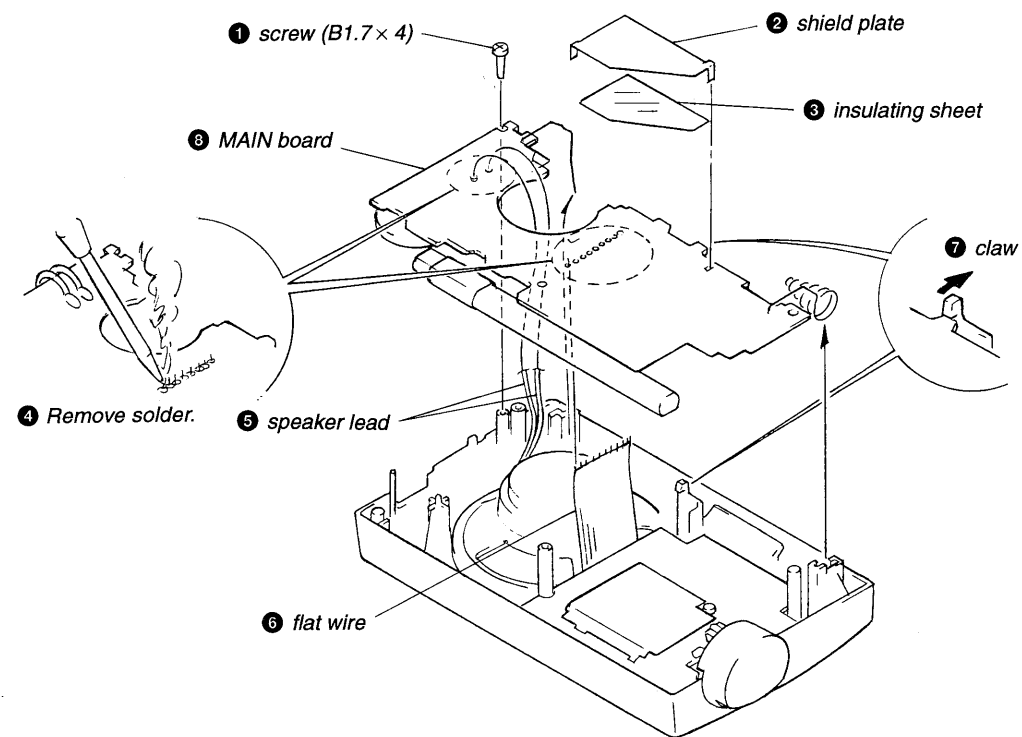
REAR CABINET



KEY BOARD

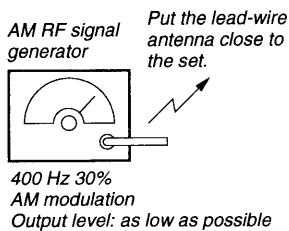


MAIN BOARD

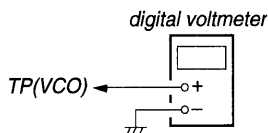
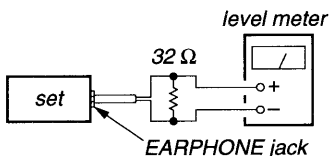
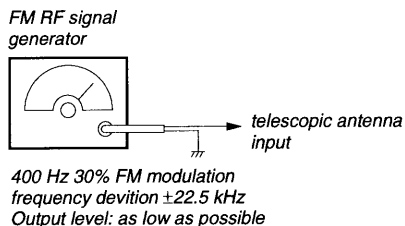


SECTION 3 ELECTRICAL ADJUSTMENTS

AM SECTION



FM SECTION



- Repeat the procedures in each adjustment several times, and the frequency coverage and tracking adjustments should be finally done by the trimmer capacitors.

- Abbreviation
AUS : Australian
CND : Canadian
EA : Saudi Arabia
G : German
PA : Panamanian

AM/LW IF ADJUSTMENT

Adjust for a maximum reading on level meter.

T1	450 kHz
----	---------

Note : Receive 531 kHz (M260 : AEP, G, UK, E, EA, AUS)
530 kHz (M260 : CND, PA)
153 kHz (M260L)

(M260)

AM FREQUENCY COVERAGE ADJUSTMENT

Adjust for a reading on digital voltmeter.

L5	531 kHz (530 kHz)	2.7 \pm 0.1V
Confirm	1710 kHz (1602 kHz)	8.9 \pm 1V (8.4 \pm 1V)

Note : Not use the AM RF signal generator in this adjustment.
() : CND, PA

(M260)

AM TRACKING ADJUSTMENT

Adjust for a maximum reading on level meter.

L1	603 kHz (580 kHz)
CT1	1395 kHz (1490 kHz)

Note : () : CND, PA

(M260L)

LM FREQUENCY COVERAGE ADJUSTMENT

Adjust for a reading on digital voltmeter.

L5	153 kHz	2.0 \pm 0.1V
Confirm	279 kHz	7.0 \pm 1V

Note : Not use the AM RF signal generator in this adjustment.

(M260L)

LM TRACKING ADJUSTMENT

Adjust for a maximum reading on level meter.

L1	153 kHz
CT1	279 kHz

FM FREQUENCY COVERAGE ADJUSTMENT

Adjust for a reading on digital voltmeter.

L4	87.5 kHz	2.0 \pm 0.1V
Confirm	108.0 kHz	9.1 \pm 1V

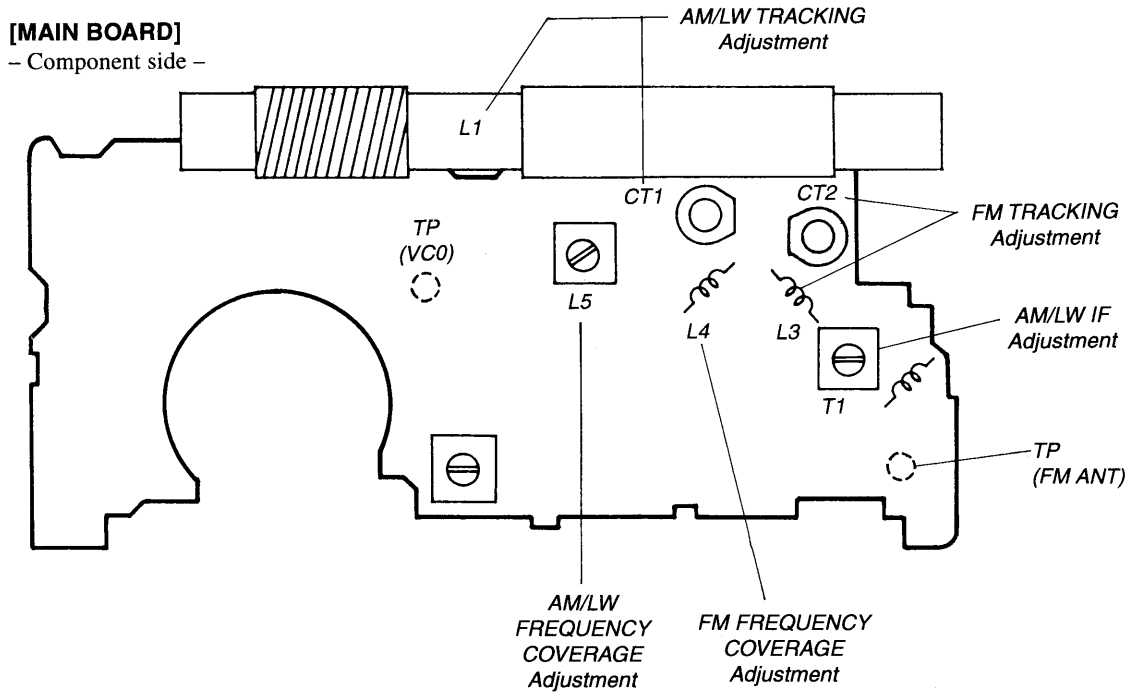
Note : Not use the FM RF signal generator in this adjustment.

FM TRACKING ADJUSTMENT

Adjust for a maximum reading on level meter.

L3	87.5 MHz
CT2	108 MHz

• Adjusting Location

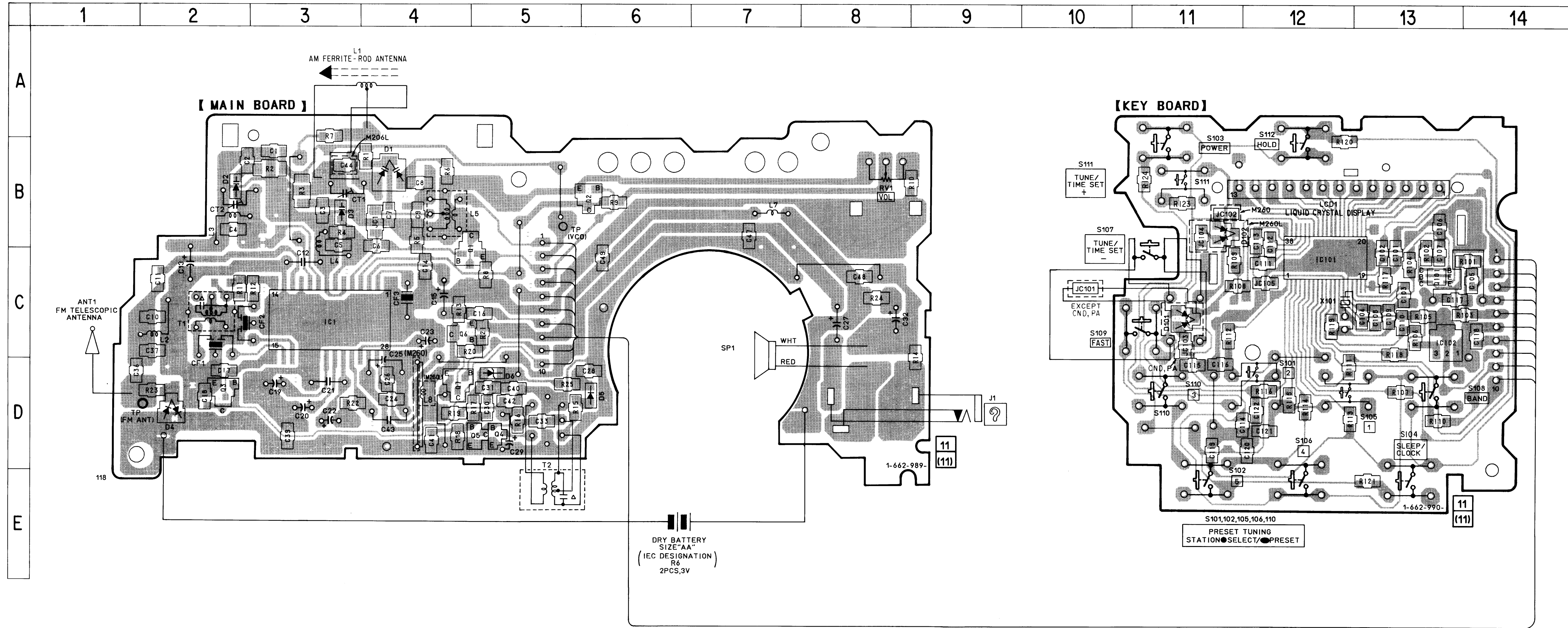


SECTION 4
DIAGRAMS

4-1. PRINTED WIRING BOARDS

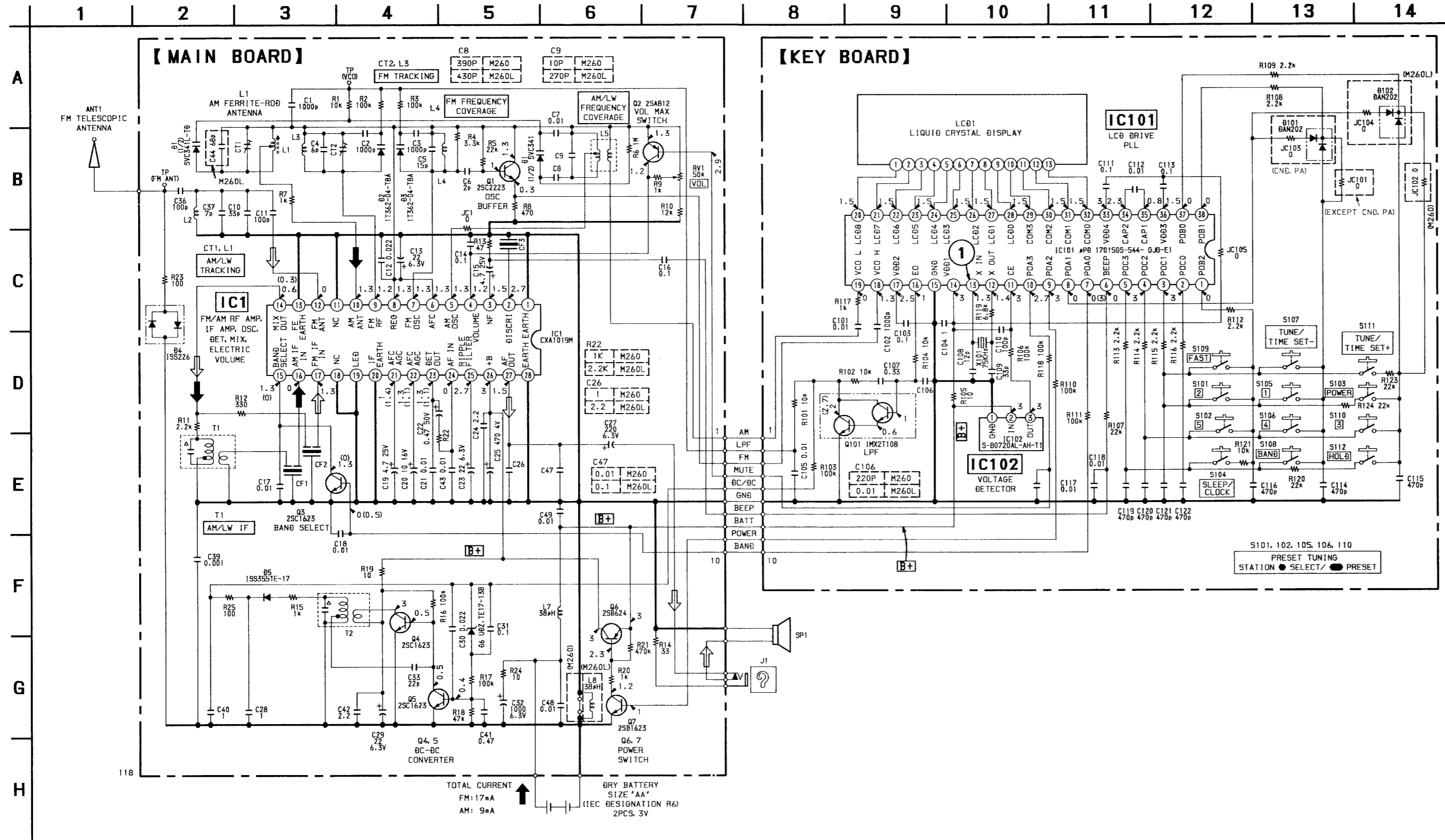
• Semiconductor Location

Ref. No.	Location
D1	B-4
D2	B-2
D3	B-3
D4	D-2
D5	D-6
D6	D-5
D101	C-11
D102	B-11
IC1	C-3
IC101	C-12
IC102	C-13
Q1	C-4
Q2	B-6
Q3	D-2
Q4	D-5
Q5	D-5
Q6	C-4
Q7	D-4
Q101	C-13

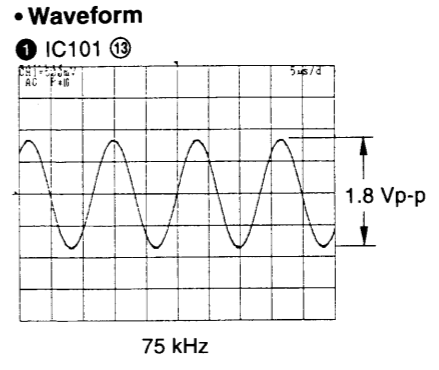
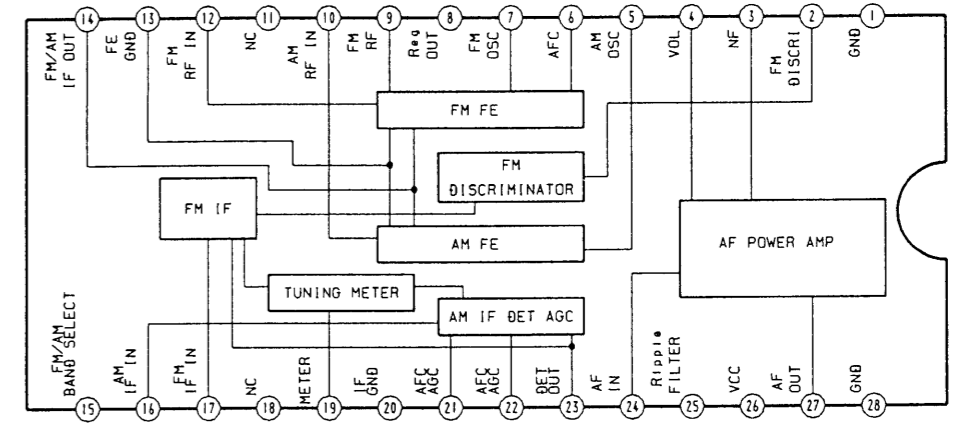


Note:
 • — : parts extracted from the component side.
 • Δ : internal component.
 • Abbreviation
 CND : Canadian model
 PA : Panama model

4-2. SCHEMATIC DIAGRAM



• IC Block Diagram
IC1 CXA1019M (MAIN BOARD)



- Note:**
- All capacitors are in μF unless otherwise noted. pF: μpF 50 WV or less are not indicated except for electrolytics and tantalums.
 - All resistors are in Ω and $1/4$ W or less unless otherwise specified.
 - Δ : internal component.
 - \square : panel designation.
 - **B+** : B+ Line.
 - \square : adjustment for repair.
 - Voltages and waveforms are dc with respect to ground under no-signal (detuned) conditions.
 - no mark : FM
() : AM
 - Voltages are taken with a VOM (Input impedance 10 M Ω). Voltage variations may be noted due to normal production tolerances.
 - Waveforms are taken with an oscilloscope. Voltage variations may be noted due to normal production tolerances.
 - Circled numbers refer to waveforms.
 - Abbreviation
CND : Canadian model
PA : Panama model
 - Signal path.
 \rightarrow : FM
 \rightarrow : AM

4-3. IC PIN FUNCTION DESCRIPTION

KEY BOARD IC101 μ PD17015GS-544-GJG-E1 (PLL, LCD DRIVE)

Pin No.	Pin Name	I/O	Function
1	POB2	I	Key return signal input.
2	POC0	O	Key source signal output.
3	POC1	O	
4	POC2	O	
5	POC3	O	
6	BEEP	O	
7	POA0	O	BAND output.
8	POA1	O	Initial output
9	POA2	O	Radio power ON/OFF. (Radio ON : H)
10	POA3	O	Mute signal. (Mute ON : L)
11	CE	I	Voltage Detect.
12	X OUT	O	Connected to the 75 kHz crystal oscillator.
13	X IN	I	
14	VDD1	-	Power supply 3V.
15	GND	-	Ground
16	E0	O	PLL error output.
17	VDD2	O	Connected to the regulator circuit capacitor (PLL).
18	VCOH	I	FM VCO input.
19	VCOL	I	AM VCO input.
20	LCD8	O	Liquid crystal display segment signal output.
21	LCO7	O	
22	LCD6	O	
23	LCO5	O	
24	LCD4	O	
25	LCO3	O	
26	LCD2	O	
27	LCO1	O	
28	LCD0	O	
29	COM3	O	Liquid crystal display common signal output.
30	COM2	O	
31	COM1	O	
32	COM0	O	
33	VDD4	-	Power supply for liquid crystal display drive.
34	CAP1	-	Connected to the power voltage capacitor for liquid crystal display drive.
35	CAP0	-	
36	VDD3	-	Power supply for liquid crystal display drive.
37	POB0	I	Key return signal Input.
38	POB1	I	

SECTION 5 EXPLODED VIEW

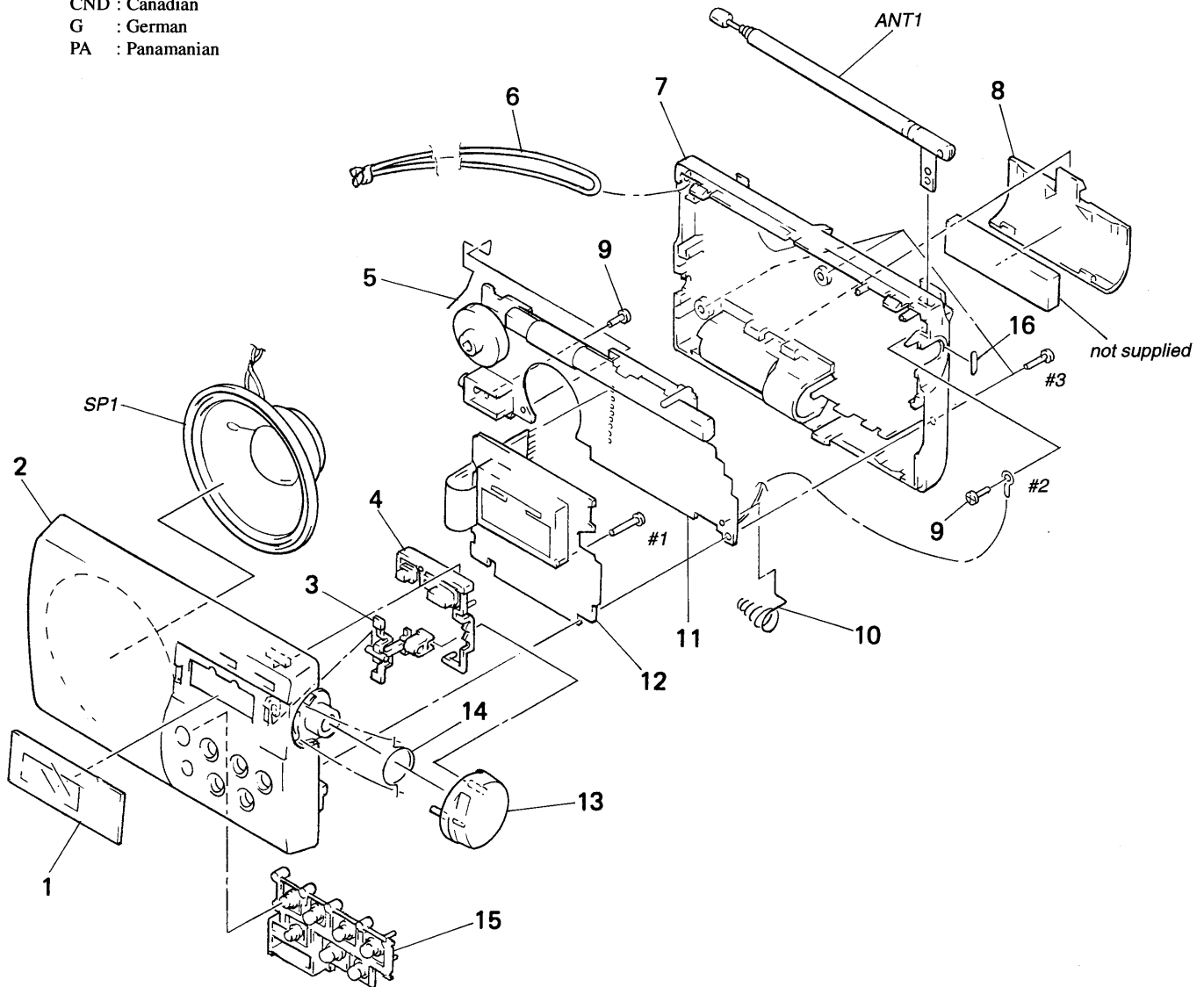
NOTE:

- -XX and -X mean standardized parts, so they may have some difference from the original one.
- Color Indication of Appearance Parts
Example:
KNOB, BALANCE (WHITE) . . . (RED)

↑	↑
Parts Color	Cabinet's Color

- Abbreviation
 EA : Saudi Arabia
 AUS : Australian
 CND : Canadian
 G : German
 PA : Panamanian

- Items marked "*" are not stocked since they are seldom required for routine service. Some delay should be anticipated when ordering these items.
- The mechanical parts with no reference number in the exploded views are not supplied.
- Hardware (# mark) list and accessories and packing materials are given in the last of the electrical parts list.



Ref. No.	Part No.	Description	Remark	Ref. No.	Part No.	Description	Remark
1	3-938-433-01	PLATE, TRANSPARENT		* 11	A-3679-817-A	MAIN BOARD, COMPLETE (M260)	
2	3-938-426-01	CABINET (FRONT) (M260)		* 11	A-3679-820-A	MAIN BOARD, COMPLETE (M260L)	
2	3-938-426-11	CABINET (FRONT) (M260L)		* 12	A-3679-818-A	KEY BOARD, COMPLETE	
3	3-938-432-01	ADAPTOR (JOG)					(M260:AEP, UK, G, E, EA, AUS)
4	3-938-429-01	BUTTON (PW)		* 12	A-3679-819-A	KEY BOARD, COMPLETE (M260:CND, PA)	
5	3-938-438-01	TERMINAL (+), BATTERY		* 12	A-3679-821-A	KEY BOARD, COMPLETE (M260L)	
6	3-893-381-01	STRAP, HAND		13	3-938-430-01	KNOB (JOG)	
7	3-938-427-01	CABINET (REAR)		14	3-938-437-01	SPRING (JOG), RING	
		(M260:AEP, UK, G, E, PA, AUS/M260L)		15	3-938-428-01	BUTTON (PRESET)	
7	3-938-427-11	CABINET (REAR) (M260:CND, EA)		* 16	3-009-276-01	SPACER (A)	
8	3-369-161-01	LID, BATTERY CASE		ANT1	1-501-247-32	ANTENNA, TELESCOPIC (FM)	
9	3-318-203-61	SCREW (B1.7X4), TAPPING		SP1	1-505-492-11	SPEAKER (6.6CM)	
10	3-938-439-01	TERMINAL (-), BATTERY					

KEY

**SECTION 6
ELECTRICAL PARTS LIST**

NOTE:

- Due to standardization, replacements in the parts list may be different from the parts specified in the diagrams or the components used on the set.
- -XX and -X mean standardized parts, so they may have some difference from the original one.
- **RESISTORS**
All resistors are in ohms.
METAL: Metal-film resistor.
METAL OXIDE: Metal oxide-film resistor.
F: nonflammable
- **Abbreviation**
AUS: Australian EA: Saudi Arabia CND: Canadian
G : German PA : Panamanian

- Items marked "*" are not stocked since they are seldom required for routine service. Some delay should be anticipated when ordering these items.
- **SEMICONDUCTORS**
In each case, u: μ , for example:
uA. . : μ A. . uPA. . : μ PA. .
uPB. . : μ PB. . uPC. . : μ PC. .
uPD. . : μ PD. .
- **CAPACITORS**
uF: μ F
- **COILS**
uH: μ H

When indicating parts by reference number, please include the board.

Ref. No.	Part No.	Description	Remark
*	A-3679-818-A	KEY BOARD, COMPLETE (M260:AEP, G, UK, E, EA, AUS)	
*	A-3679-819-A	KEY BOARD, COMPLETE (M260:CND, PA)	
*	A-3679-821-A	KEY BOARD, COMPLETE (M260L)	

	3-938-434-01	HOLDER (LCD)	
*	3-938-436-01	PLATE (LCD), SHIELD	
*	3-939-543-01	PLATE (MICRO COMPUTER), SHIELD	
< CAPACITOR >			
C101	1-163-031-11	CERAMIC CHIP 0.01uF	50V
C102	1-163-141-00	CERAMIC CHIP 0.001uF	5% 50V
C103	1-163-038-00	CERAMIC CHIP 0.1uF	25V
C104	1-164-346-11	CERAMIC CHIP 1uF	16V
C105	1-163-031-11	CERAMIC CHIP 0.01uF	50V
C106	1-163-125-00	CERAMIC CHIP 220PF	5% 50V (M260)
C106	1-163-031-11	CERAMIC CHIP 0.01uF	50V (M260L)
C107	1-110-501-11	CERAMIC CHIP 0.33uF	10% 16V
C108	1-163-229-11	CERAMIC CHIP 12PF	5% 50V
C109	1-163-239-11	CERAMIC CHIP 33PF	5% 50V
C110	1-163-251-11	CERAMIC CHIP 100PF	5% 50V
C111	1-164-004-11	CERAMIC CHIP 0.1uF	10% 25V
C112	1-164-232-11	CERAMIC CHIP 0.01uF	50V
C113	1-164-004-11	CERAMIC CHIP 0.1uF	10% 25V
C114	1-163-133-00	CERAMIC CHIP 470PF	5% 50V
C115	1-163-133-00	CERAMIC CHIP 470PF	5% 50V
C116	1-163-133-00	CERAMIC CHIP 470PF	5% 50V
C117	1-163-031-11	CERAMIC CHIP 0.01uF	50V
C118	1-163-031-11	CERAMIC CHIP 0.01uF	50V
C119	1-163-133-00	CERAMIC CHIP 470PF	5% 50V

Ref. No.	Part No.	Description	Remark
C120	1-163-133-00	CERAMIC CHIP 470PF	5% 50V
C121	1-163-133-00	CERAMIC CHIP 470PF	5% 50V
C122	1-163-133-00	CERAMIC CHIP 470PF	5% 50V
< DIODE >			
D101	8-719-914-43	DIODE DAN202K (M260:CND, PA)	
D102	8-719-914-43	DIODE DAN202K (M260L)	
< IC >			
IC101	8-759-445-28	IC uPD17015GS-544-GJG-E1	
IC102	8-759-281-70	IC S-80720AL-AH-T1	
< CHIP CONDUCTOR >			
JC101	1-216-295-00	CONDUCTOR, CHIP (2012) (M260:AEP, G, UK, E, EA, AUS, M260L)	
JC102	1-216-295-00	CONDUCTOR, CHIP (2012) (M260)	
JC103	1-216-295-00	CONDUCTOR, CHIP (2012) (M260:CND, PA)	
JC104	1-216-295-00	CONDUCTOR, CHIP (2012) (M260L)	
JC105	1-216-295-00	CONDUCTOR, CHIP (2012)	
< LIQUID CRYSTAL DISPLAY >			
LCD1	1-801-269-11	DISPLAY PANEL, LIQUID CRYSTAL	
< TRANSISTOR >			
Q101	8-729-920-59	TRANSISTOR IMX2	
< RESISTOR >			
R101	1-216-073-00	METAL CHIP 10K 5%	1/10W
R102	1-216-073-00	METAL CHIP 10K 5%	1/10W
R103	1-216-097-00	METAL GLAZE 100K 5%	1/10W
R104	1-216-073-00	METAL CHIP 10K 5%	1/10W
R105	1-216-001-00	METAL CHIP 10 5%	1/10W

Ref. No.	Part No.	Description	Remark		
R106	1-216-097-00	METAL GLAZE	100K	5%	1/10W
R107	1-216-081-00	METAL CHIP	22K	5%	1/10W
R108	1-216-057-00	METAL CHIP	2.2K	5%	1/10W
R109	1-216-057-00	METAL CHIP	2.2K	5%	1/10W
R110	1-216-097-00	METAL GLAZE	100K	5%	1/10W
R111	1-216-097-00	METAL GLAZE	100K	5%	1/10W
R112	1-216-057-00	METAL CHIP	2.2K	5%	1/10W
R113	1-216-057-00	METAL CHIP	2.2K	5%	1/10W
R114	1-216-057-00	METAL CHIP	2.2K	5%	1/10W
R115	1-216-057-00	METAL CHIP	2.2K	5%	1/10W
R116	1-216-057-00	METAL CHIP	2.2K	5%	1/10W
R117	1-216-049-00	METAL GLAZE	1K	5%	1/10W
R118	1-216-097-00	METAL GLAZE	100K	5%	1/10W
R119	1-216-069-00	METAL CHIP	6.8K	5%	1/10W
R120	1-216-081-00	METAL CHIP	22K	5%	1/10W
R121	1-216-073-00	METAL CHIP	10K		1/10W
R123	1-216-081-00	METAL CHIP	22K	5%	1/10W
R124	1-216-081-00	METAL CHIP	22K	5%	1/10W
< SWITCH >					
S101	1-553-856-00	SWITCH, KEY BOARD (2)			
S102	1-553-856-00	SWITCH, KEY BOARD (5)			
S103	1-553-856-00	SWITCH, KEY BOARD (POWER)			
S104	1-553-856-00	SWITCH, KEY BOARD (SLEEP/CLOCK)			
S105	1-553-856-00	SWITCH, KEY BOARD (1)			
S106	1-553-856-00	SWITCH, KEY BOARD (4)			
S107	1-553-856-00	SWITCH, KEY BOARD (TUNE/TIME SET -)			
S108	1-553-856-00	SWITCH, KEY BOARD (BAND)			
S109	1-553-856-00	SWITCH, KEY BOARD (FAST)			
S110	1-553-856-00	SWITCH, KEY BOARD (3)			
S111	1-553-856-00	SWITCH, KEY BOARD (TUNE/TIME SET +)			
S112	1-553-856-00	SWITCH, KEY BOARD (HOLD)			
< VIBRATOR >					
X101	1-567-769-11	VIBRATOR, CRYSTAL (75KHz)			

*	A-3679-817-A	MAIN BOARD, COMPLETE (M260)			
*	A-3679-820-A	MAIN BOARD, COMPLETE (M260L)			

*	3-009-483-01	SHEET, INSULATING			
	3-938-431-01	KNOB (VOL)			
	3-938-435-01	HOLDER (B. ANT)			
< CAPACITOR >					
C1	1-163-141-00	CERAMIC CHIP	0.001uF	5%	50V
C2	1-163-141-00	CERAMIC CHIP	0.001uF	5%	50V
C3	1-163-141-00	CERAMIC CHIP	0.001uF	5%	50V

Ref. No.	Part No.	Description	Remark		
C4	1-163-089-00	CERAMIC CHIP	6PF		50V
C5	1-163-231-11	CERAMIC CHIP	15PF	5%	50V
C6	1-163-085-00	CERAMIC CHIP	2PF		50V
C7	1-163-031-11	CERAMIC CHIP	0.01uF		50V
C8	1-163-131-00	CERAMIC CHIP	390PF	5%	50V (M260)
C8	1-163-132-00	CERAMIC CHIP	430PF	5%	50V (M260L)
C9	1-163-227-11	CERAMIC CHIP	10PF	0.5PF	50V (M260)
C9	1-163-127-00	CERAMIC CHIP	270PF	5%	50V (M260L)
C10	1-163-239-11	CERAMIC CHIP	33PF	5%	50V
C11	1-163-251-11	CERAMIC CHIP	100PF	5%	50V
C12	1-161-055-00	CERAMIC	22000PF		50V
C13	1-126-153-11	CERAMIC CHIP	22uF	20%	6.3V
C14	1-163-038-00	CERAMIC CHIP	0.1uF		25V
C15	1-126-163-11	ELECT	4.7uF	20%	25V
C16	1-163-038-00	CERAMIC CHIP	0.1uF		25V
C17	1-163-031-11	CERAMIC CHIP	0.01uF		50V
C18	1-163-031-11	CERAMIC CHIP	0.01uF		50V
C19	1-126-163-11	ELECT	4.7uF	20%	50V
C20	1-104-396-11	ELECT	10uF	20%	16V
C21	1-161-051-00	CERAMIC CHIP	0.01uF		50V
C22	1-124-465-11	ELECT	0.47uF	20%	50V
C23	1-124-638-11	ELECT	22uF	20%	10V
C24	1-164-505-11	CERAMIC CHIP	2.2uF		16V
C25	1-104-483-11	ELECT	470uF	20%	4V
C26	1-164-346-11	CERAMIC CHIP	1uF		16V (M260)
C26	1-164-505-11	CERAMIC CHIP	2.2uF		16V (M260L)
C27	1-124-635-00	ELECT	220uF	20%	6.3V
C28	1-164-346-11	CERAMIC CHIP	1uF		16V
C29	1-124-638-11	ELECT	22uF	20%	10V
C30	1-163-033-00	CERAMIC CHIP	0.022uF		50V
C31	1-163-038-00	CERAMIC CHIP	0.1uF		25V
C32	1-126-916-11	ELECT	1000uF	20%	6.3V
C33	1-163-235-11	CERAMIC CHIP	22PF	5%	50V
C36	1-163-251-11	CERAMIC CHIP	100PF	5%	50V
C37	1-163-224-11	CERAMIC CHIP	7PF	0.25PF	50V
C39	1-163-141-00	CERAMIC CHIP	0.001uF	5%	50V
C40	1-164-346-11	CERAMIC CHIP	1uF		16V
C41	1-164-005-11	CERAMIC CHIP	0.47uF		25V
C42	1-164-505-11	CERAMIC CHIP	2.2uF		16V
C43	1-161-051-00	CERAMIC CHIP	0.01uF		50V
C44	1-163-113-00	CERAMIC CHIP	68PF	5%	50V (M260L)

MAIN

Ref. No.	Part No.	Description	Remark
C47	1-163-031-11	CERAMIC CHIP 0.01uF	50V (M260)
C47	1-163-038-00	CERAMIC CHIP 0.1uF	25V (M260L)
C48	1-163-031-11	CERAMIC CHIP 0.01uF	50V
C49	1-163-031-11	CERAMIC CHIP 0.01uF	50V
< FILTER >			
* CF1	1-577-319-11	FILTER, CERAMIC (M260)	
CF1	1-578-677-21	FILTER, CRYSTAL (M260L)	
CF2	1-579-632-41	FILTER, CERAMIC	
CF3	1-579-632-41	FILTER, CERAMIC	
< TRIMMER >			
CT1	1-141-304-21	CAP, TRIMMER 10PF (M260)	
CT1	1-141-443-11	TRIMMER, CERAMIC (M260L)	
CT2	1-141-304-21	CAP, TRIMMER 10PF	
< DIODE >			
D1	8-719-945-31	DIODE SVC341-L	
D2	8-713-100-11	DIODE 1T362	
D3	8-713-100-11	DIODE 1T362	
D4	8-719-800-76	DIODE 1SS226	
D5	8-719-988-62	DIODE 1SS355	
D6	8-719-978-61	DIODE DTZ-TT11-13B	
< IC >			
IC1	8-752-050-16	IC CXA1019M	
< JACK >			
J1	1-770-666-11	JACK (⊙)	
< CHIP CONDUCTOR >			
JC1	1-216-296-00	CONDUCTOR, CHIP (3216)	
< COIL >			
L1	1-501-863-11	ANTENNA, FERRITE-ROD (MW) (M260)	
L1	1-501-864-11	ANTENNA, FERRITE-ROD (LW) (M260L)	
L2	1-428-768-11	COIL, AIR-CORE	
L3	1-411-529-11	COIL, AIR-CORE	
L4	1-428-817-11	COIL, AIR-CORE	
L5	1-406-485-11	COIL (OSC) (M260)	
L5	1-415-930-11	COIL (OSC) (M260L)	
L7	1-410-294-11	INDUCTOR, MICRO 38uH	
L8	1-410-294-11	INDUCTOR, MICRO 38uH (M260L)	
< TRANSISTOR >			
Q1	8-729-102-07	TRANSISTOR 2SC2223-F13	

Ref. No.	Part No.	Description	Remark
Q2	8-729-216-22	TRANSISTOR 2SA1162-G	
Q3	8-729-120-28	TRANSISTOR 2SC1623-L5L6	
Q4	8-729-120-28	TRANSISTOR 2SC1623-L5L6	
Q5	8-729-120-28	TRANSISTOR 2SC1623-L5L6	
Q6	8-729-141-48	TRANSISTOR 2SB624-BV345	
Q7	8-729-120-28	TRANSISTOR 2SC1623-L5L6	
< RESISTOR >			
R1	1-216-073-00	METAL CHIP 10K 5%	1/10W
R2	1-216-246-00	METAL GLAZE 100K 5%	1/8W
R3	1-216-246-00	METAL GLAZE 100K 5%	1/8W
R4	1-216-061-00	METAL CHIP 3.3K 5%	1/10W
R5	1-216-081-00	METAL CHIP 22K 5%	1/10W
R6	1-216-121-00	METAL GLAZE 1M 5%	1/10W
R7	1-216-049-00	METAL GLAZE 1K 5%	1/10W
R8	1-216-041-00	METAL CHIP 470 5%	1/10W
R9	1-216-049-00	METAL GLAZE 1K 5%	1/10W
R10	1-216-075-00	METAL CHIP 12K 5%	1/10W
R11	1-216-057-00	METAL CHIP 2.2K 5%	1/10W
R12	1-216-037-00	METAL CHIP 330 5%	1/10W
R13	1-216-017-00	METAL GLAZE 47 5%	1/10W
R14	1-216-013-00	METAL CHIP 33 5%	1/10W
R15	1-216-049-00	METAL GLAZE 1K 5%	1/10W
R16	1-216-097-00	METAL GLAZE 100K 5%	1/10W
R17	1-216-097-00	METAL GLAZE 100K 5%	1/10W
R18	1-216-089-00	METAL GLAZE 47K 5%	1/10W
R19	1-216-001-00	METAL CHIP 10 5%	1/10W
R20	1-216-049-00	METAL GLAZE 1K 5%	1/10W
R21	1-216-113-00	METAL CHIP 470K 5%	1/10W
R22	1-216-049-00	METAL GLAZE 1K 5%	1/10W (M260)
R22	1-216-057-00	METAL CHIP 2.2K 5%	1/10W (M260L)
R23	1-216-025-00	METAL GLAZE 100 5%	1/10W
R24	1-216-001-00	METAL CHIP 10 5%	1/10W
R25	1-216-025-00	METAL GLAZE 100 5%	1/10W
< VARIABLE RESISTOR >			
RV1	1-241-586-11	RES, VAR, CARBON 50K (VOL)	
< TRANSFORMER >			
T1	1-404-790-11	TRANSFORMER, IF	
T2	1-429-858-11	TRANSFORMER, DC/DC CONVERTER	

MISCELLANEOUS			

ANT1	1-501-247-32	ANTENNA, TELESCOPIC (FM)	
SP1	1-505-492-11	SPEAKER (6.6CM)	

Ref. No.	Part No.	Description	Remark
----------	----------	-------------	--------

 HARDWARE LIST

#1	7-685-106-01	SCREW +P 2X10 TYPE1	
#2	7-623-505-01	LUG, 2	
#3	7-685-107-19	SCREW +P 2X12 TYPE2 NON-SLIT	

ACCESSORIES & PACKING MATERIALS

	3-856-959-11	MANUAL, INSTRUCTION (ENGLISH, FRENCH, GERMAN, SPANISH, DUTCH, SWEDISH, ITALIAN, PORTUGUESU) (M260:CND, AEP, UK, G/M260L)	
	3-856-959-31	MANUAL, INSTRUCTION (ENGLISH, FRENCH, SPANISH, CHINESE, KOREAN) (M260:E, EA, PA, AUS)	
*	3-939-547-01	INDIVIDUAL CARTON (M260)	
*	3-939-547-11	INDIVIDUAL CARTON (M260L)	

ICF-M260/M260L

SONY

SERVICE MANUAL

AEP Model

ICF-M260/M260L

Canadian Model

UK Model

E Model

Australian Model

ICF-M260

SUPPLEMENT-1

File this supplement with the service manual.

Subject: Addition of Silver Model

(ECN-TR801686)

Addition of Silver Model

• DIFFERENCE PARTS LIST

(1) EXPLODED VIEW

• Abbreviation

EA : Saudi Arabia G : German
 AUS : Australian PA : Panamanian
 CND : Canadian

Page	Before Change				After Change			
	Ref. No.	Part No.	Description	Remark	Ref. No.	Part No.	Description	Remark
17	2	3-938-426-01	CABINET (FRONT) (M260)		2	3-938-426-01	CABINET (FRONT) (BLACK) (M260)	
	2	3-938-426-11	CABINET (FRONT) (M260L)		2	3-938-426-31	CABINET (FRONT) (SILVER) (M260)	
					2	3-938-426-11	CABINET (FRONT) (BLACK) (M260L)	
					2	3-938-426-41	CABINET (FRONT) (SILVER) (M260L)	
	4	3-938-429-01	BUTTON (PW)		4	3-938-429-01	BUTTON (PW) (BLACK)	
					4	3-938-429-11	BUTTON (PW) (SILVER)	
	7	3-938-427-01	CABINET (REAR) (M260: AEP, UK, G, E, PA, AUS/M260L)		7	3-938-427-01	CABINET (REAR) (BLACK) (M260: AEP, UK, G, E, PA/M260L)	
					7	3-938-427-21	CABINET (REAR) (SILVER) (M260: AEP, UK, G, E, PA/M260L)	
	7	3-938-427-11	CABINET (REAR) (M260: CND, EA)		7	3-938-427-11	CABINET (REAR) (BLACK) (M260: CND, EA, AUS)	
					7	3-938-427-31	CABINET (REAR) (SILVER) (M260: CND, EA, AUS)	
	8	3-369-161-01	LID, BATTERY CASE		8	3-369-161-01	LID, BATTERY CASE (BLACK)	
					8	3-369-161-31	LID, BATTERY CASE (SILVER)	
13	3-938-430-01	KNOB (JOG)		13	3-938-430-01	KNOB (JOG) (BLACK)		
				13	3-938-430-11	KNOB (JOG) (SILVER)		
15	3-938-428-01	BUTTON (PRESET)		15	3-938-428-01	BUTTON (PRESET) (BLACK)		
				15	3-938-428-11	BUTTON (PRESET) (SILVER)		

(2) ACCESSORIES & PACKING MATERIALS

Page	Before Change				After Change			
	Ref. No.	Part No.	Description	Remark	Ref. No.	Part No.	Description	Remark
21						3-856-959-41	MANUAL, INSTRUCTION (RUSSIAN, POLISH, CZECH, HUNGALIAN) (M260: AEP)	