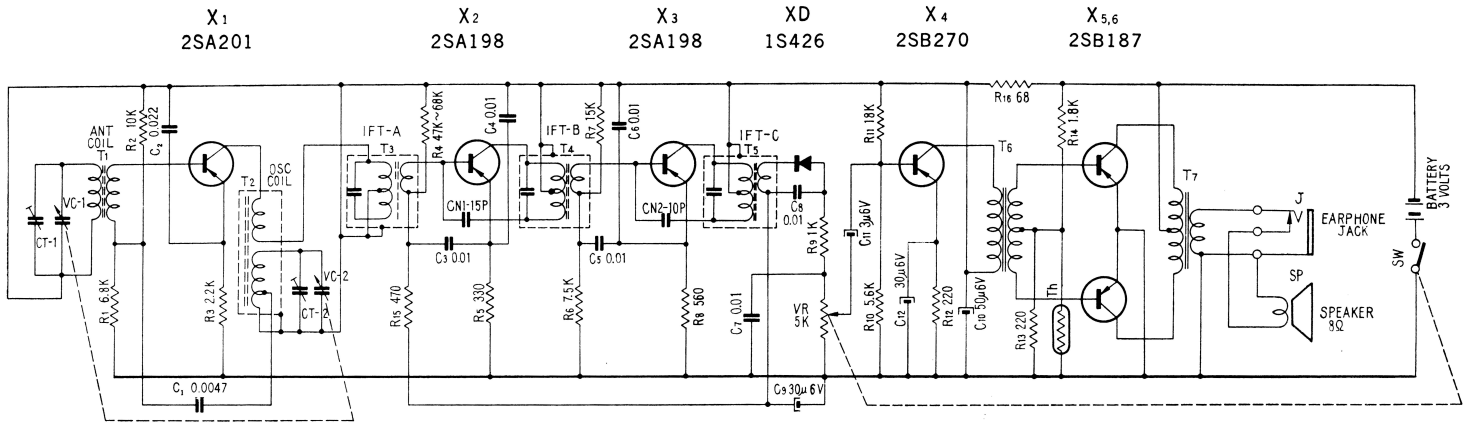
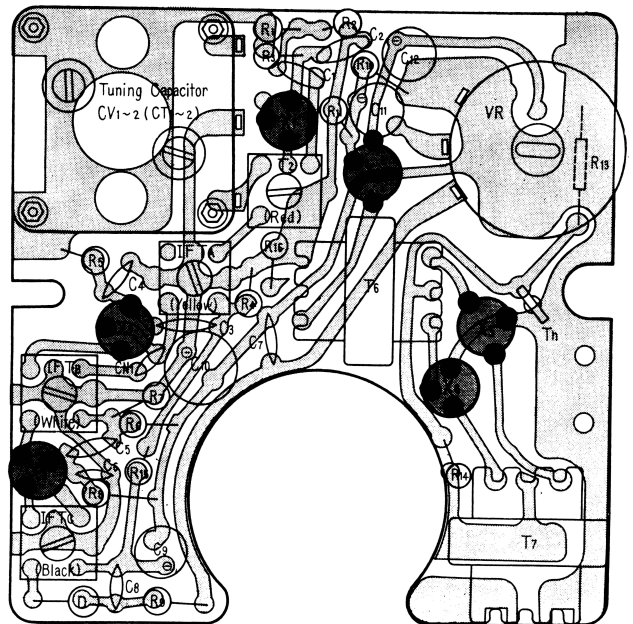
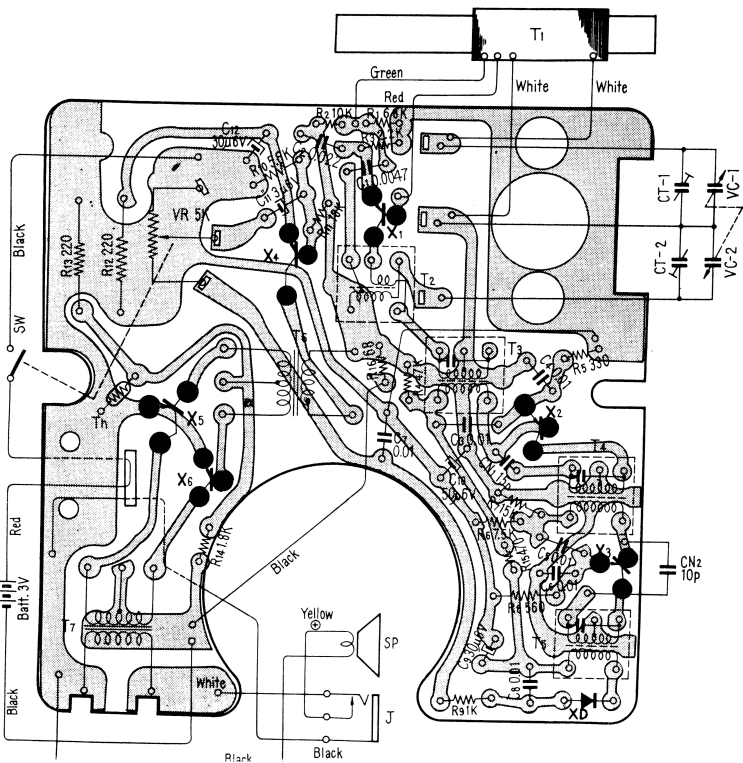
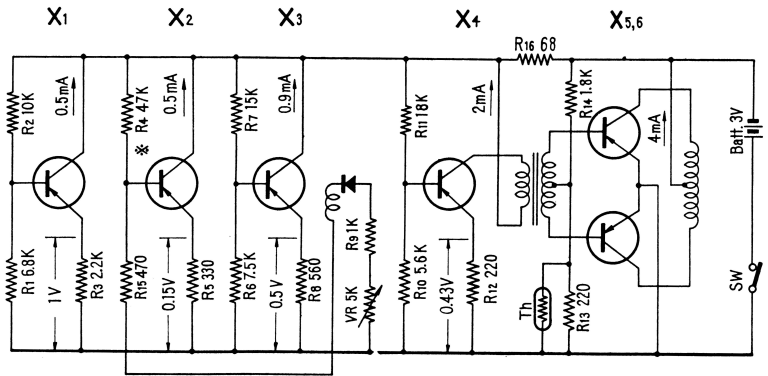
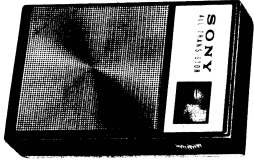


Schematic Diagram



Voltage and Current Distribution Chart at Zero Signal



R12 and CN2 are mounted on the printed side.