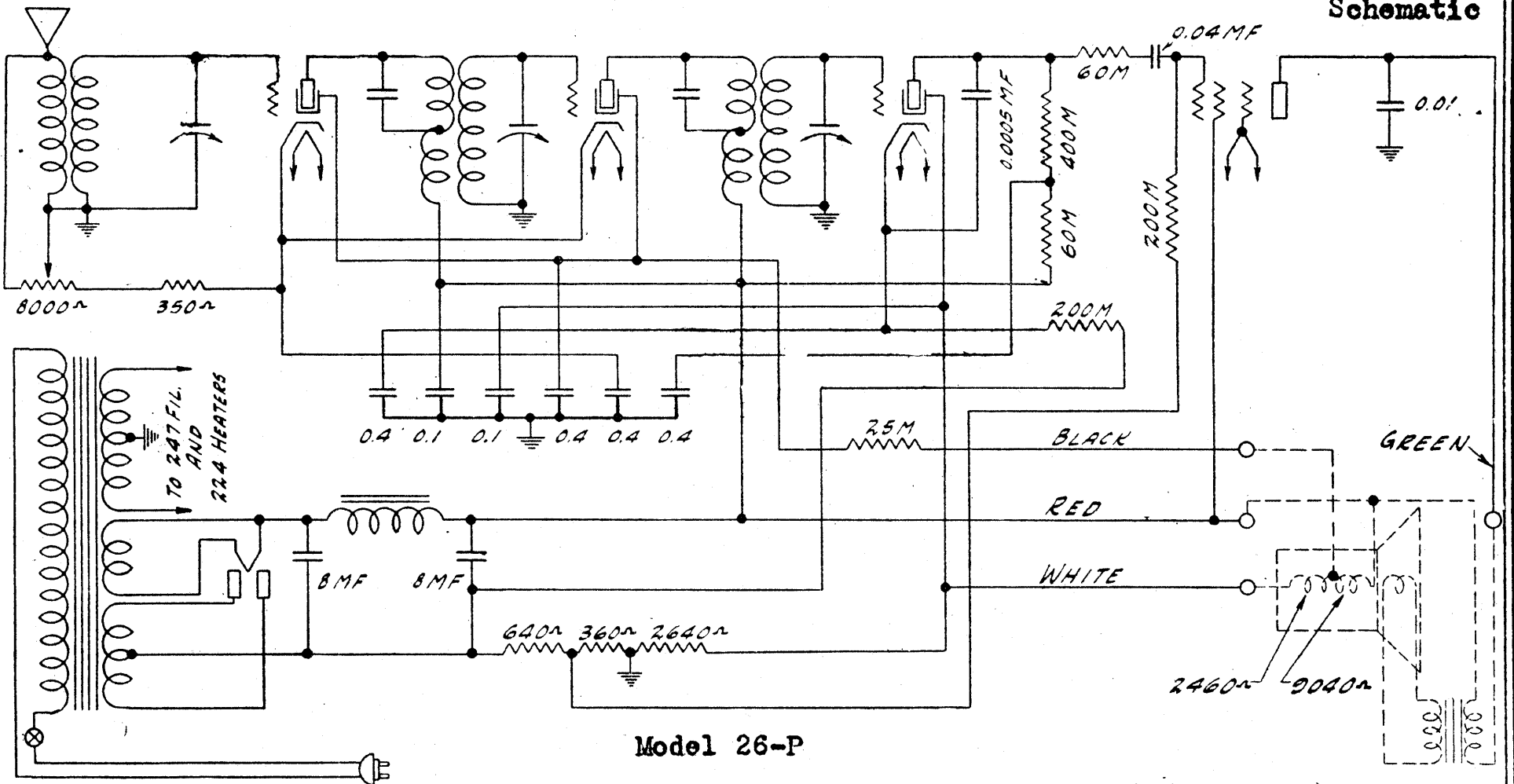
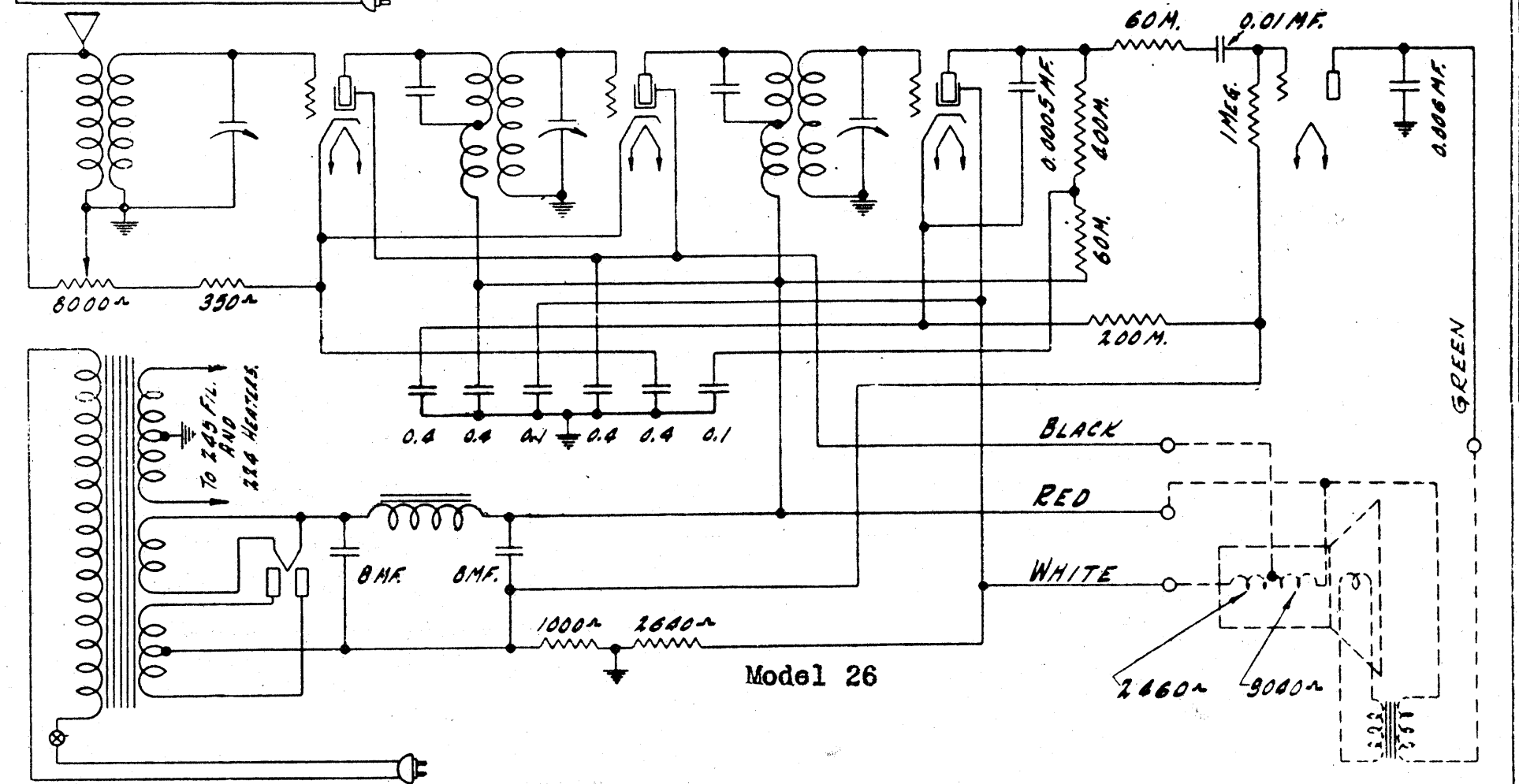


U. S. RADIO & TELEVISION CORP.

MODEL 26
Schematic
MODEL 26-P
Schematic



Model 26-P



Model 26

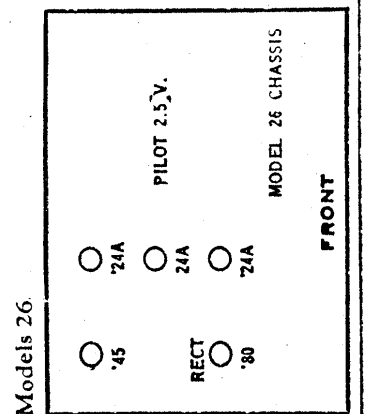
Type	Function	A	B	C	Screen	Plate Crnt.
224	1st RF	2.2	245	2.5	80	2.9 ma
224	2nd RF	2.2	245	2.5	80	2.9
224	Det	2.2	130	3.	40	.25
245	Audio	2.35	245	50.		28.
280	Rect.	4.6				25.*

* Per anode. Line voltage 115 . V.C.Max.

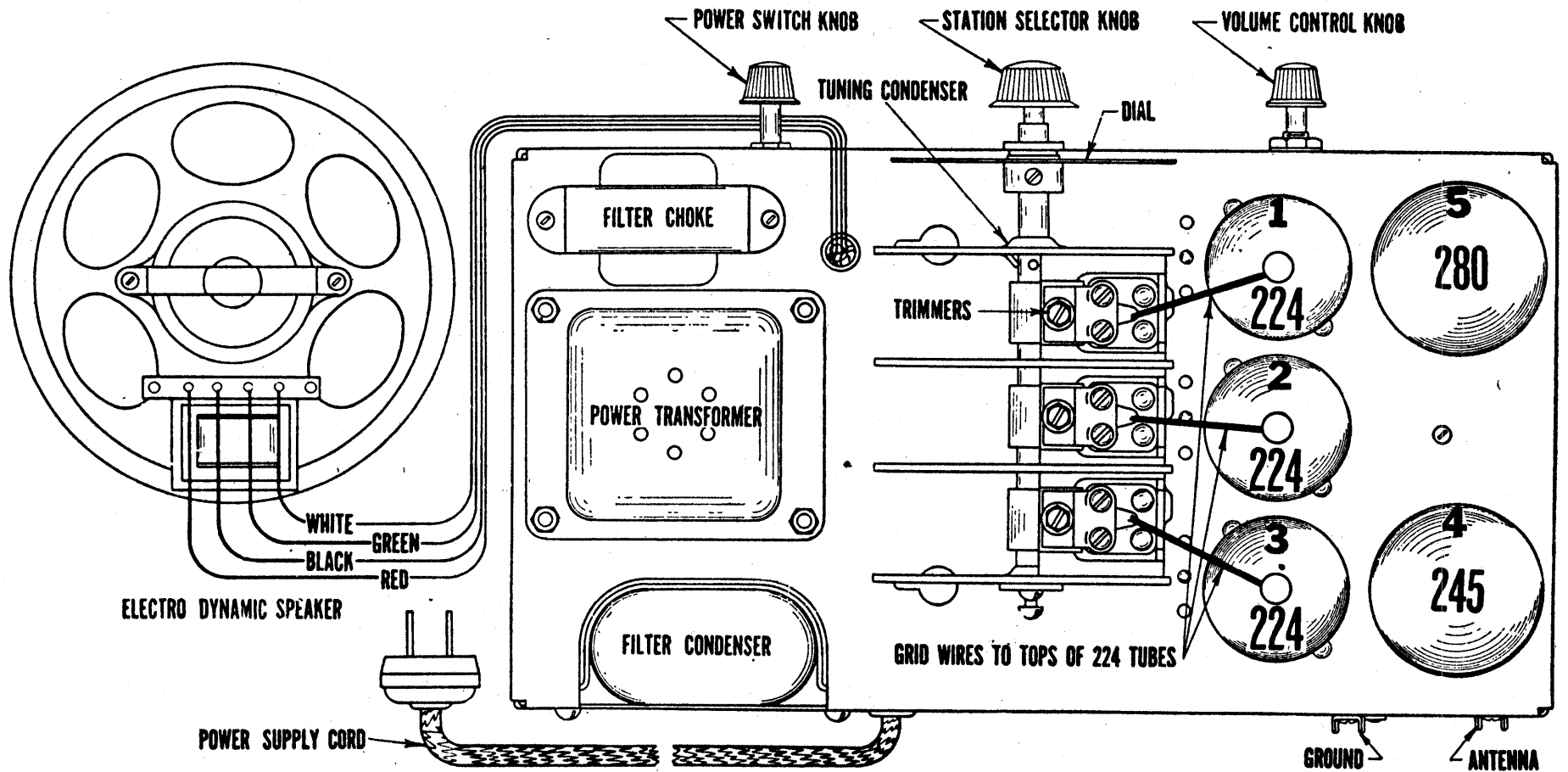
224	1st RF	2.2	250	2.	55."	2.1
224	2nd RF	2.2	250	2.	55."	2.1
224	Det.	2.2	130	2.8	40."	.25
247	Audio	2.3	238	18.**	250	27.
280	Rect.	4.65				28. *

** Read across 360 ohms section of shunt resistor.

" Read with 250,000 ohm meter.



MODEL 26 Chassis
MODEL 26-P Parts List U. S. RADIO & TELEVISION CORP.



--Top View of No. 26 Chassis showing Tube Sequence and Speaker Connections

No. 26P Chassis Replacement Parts (Supplementing No. 26 List)

The following parts are used in addition to the parts listed for the No. 26 chassis.

Part No.	Description	No. Used in Set	List Price Each
2757	Tube Socket—247.....	1	.35
705	25,000 ohm Series Resistor, Carbon.....	1	.50
1358	.04 Mfd. Coupling Condenser.....	1	.60
1751	200,000 ohm Grid Leak Resistor, Carbon.....	1	.50
2303A	Shunt Resistor, 640—360—2640 ohms.....	1	.60
2767	Resistor & Condenser Panel Assembly complete.....	1	3.00
2678	8 Mfd. Electrolytic Condenser Unit complete, Dry type.....	2	2.25
2752	Chassis Cover Plate for Electrolytic Condensers.....	1	.15
2691	Mounting Plate for Electrolytic Condensers.....	1	.15
2763	Electrolytic Condenser Assembly complete, 2 Units and Mounting Plate.....	1	4.65
2756	Power Transformer, 115 Volt, 60 Cycles.....	1	7.50
2768	Chassis Harness.....	1	1.00
2771	Bottom Plate.....	1	.40
2758	Baffle Mtg. D.C. Electrodynamic Speaker for No. 26P Chassis.....	1	8.50
2796	Transformer for Speaker.....	1	3.50

The following parts listed for the No. 26 Chassis are not used in the No. 26P Chassis:

685	Tube Socket—245.....	1	.35
1612	.006 Mfd. Audio Plate By-pass Condenser.....	1	.80
2266	1 Megohm Grid Leak Resistor.....	1	.45
2303	Shunt Resistor, 1000—2640 ohms.....	1	.60
2316	Resistor & Condenser Panel Assy. complete.....	1	3.00
1942	8 Mfd. Electrolytic Condenser Unit.....	2	2.50
2223	Mounting Clamp for Electrolytic Condensers.....	1	.20
2328	Metal Cap for Electrolytic Condensers.....	1	.15
2251	Power Transformer, 115 Volts, 60 Cycles.....	1	7.50
2238	Cover Plate for Power Transformer.....	1	.30
2318	Chassis Harness.....	1	1.20
2467	Baffle Mtg. D.C. Electrodynamic Speaker No. 26 Chassis.....	1	8.50
2555	Transformer for Speaker.....	1	3.50

Making Pentode Current and Voltage Readings

Reading	Terminals	Meter
A Volts	Across filament terminals	0-4 A.C. Voltmeter
B Volts	Plate terminal to subpanel	0-300 D.C. Voltmeter
C Volts	Across 360 ohm resistor	0-50 D.C. Voltmeter
Screen Volts	Screen grid terminal to subpanel	0-300 D.C. Voltmeter
Screen M.A.	Insert milliammeter in screen grid line	0-25 D.C. Milliammeter
Plate M.A.	Insert milliammeter in plate line	0-50 D.C. Milliammeter

CAUTION:—Never operate the Pentode tube under any circumstances without plate voltage. This condition may arise if one of the speaker leads is disconnected opening the line to the primary of the output transformer. Without plate voltage the screen grid will become white hot due to the excessive current flowing through it and may become distorted or may evolve gas. Care should be taken, therefore, in servicing the No. 26P chassis or conducting experiments with the Pentode never to have this condition arise.