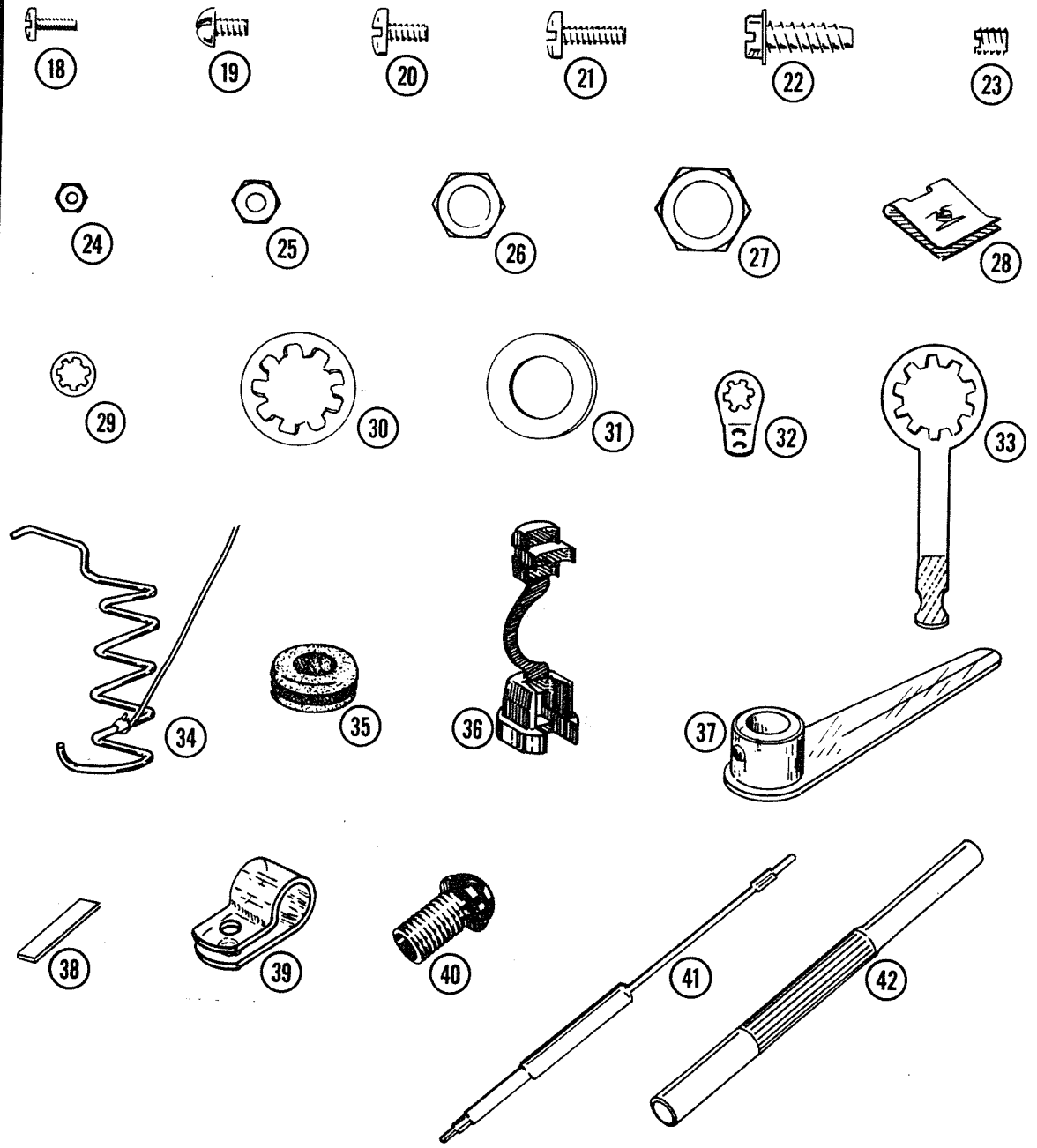
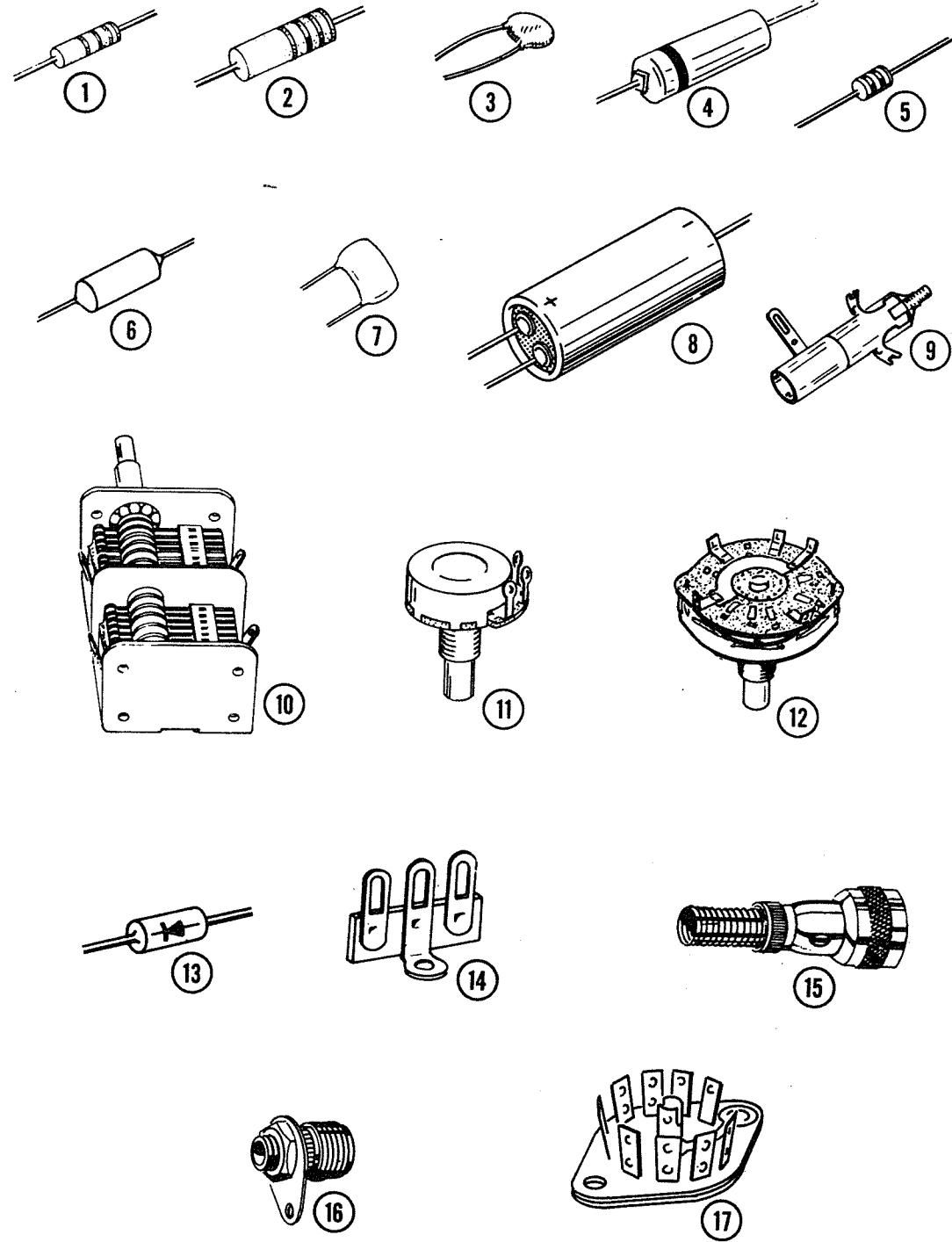
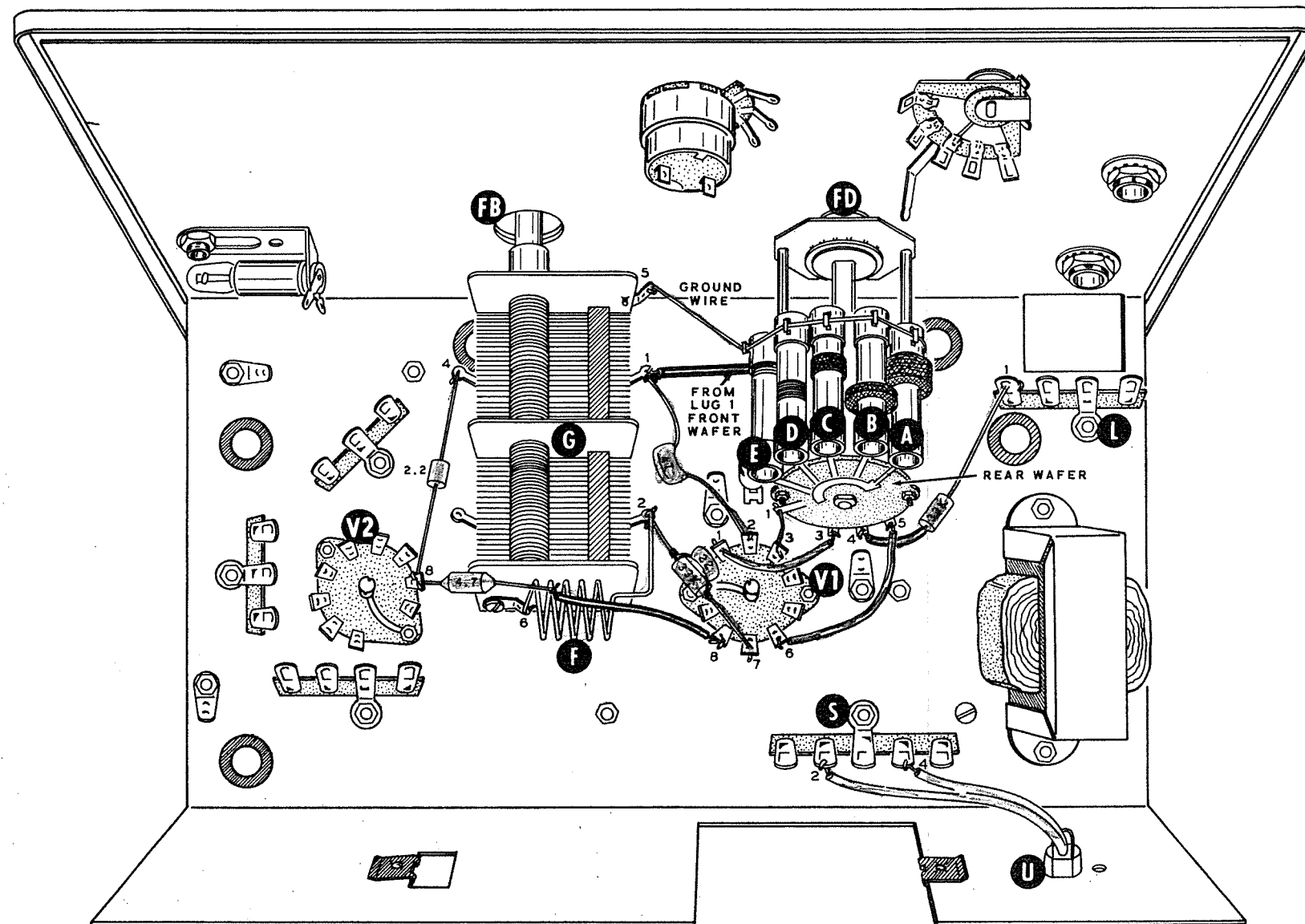
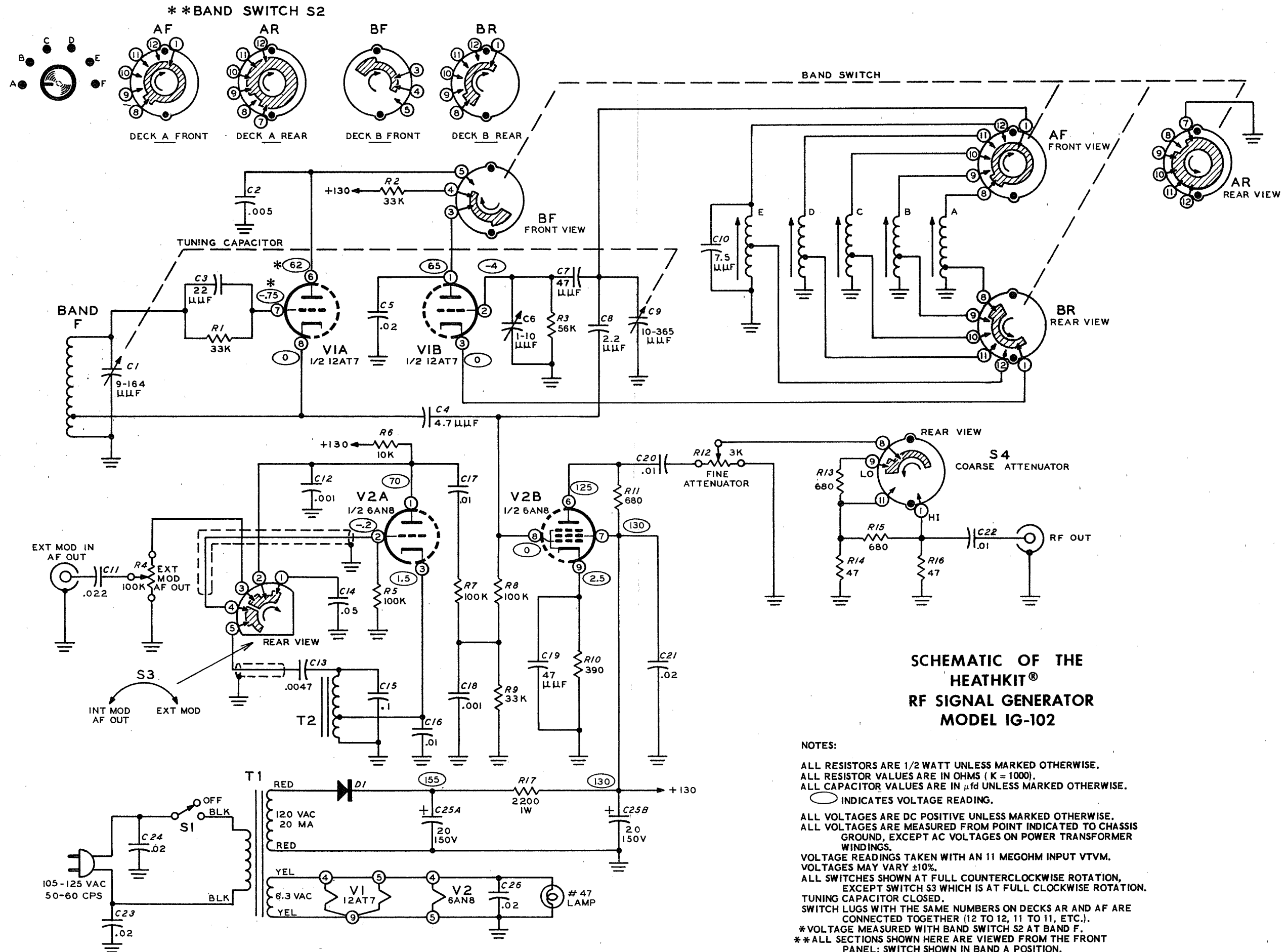


PARTS PICTORIAL





PICTORIAL 5



**SCHEMATIC OF THE
HEATHKIT®
RF SIGNAL GENERATOR
MODEL IG-102**

- NOTES:**
- ALL RESISTORS ARE 1/2 WATT UNLESS MARKED OTHERWISE.
 - ALL RESISTOR VALUES ARE IN OHMS (K = 1000).
 - ALL CAPACITOR VALUES ARE IN μ F UNLESS MARKED OTHERWISE.
 - INDICATES VOLTAGE READING.
 - ALL VOLTAGES ARE DC POSITIVE UNLESS MARKED OTHERWISE.
 - ALL VOLTAGES ARE MEASURED FROM POINT INDICATED TO CHASSIS GROUND, EXCEPT AC VOLTAGES ON POWER TRANSFORMER WINDINGS.
 - VOLTAGE READINGS TAKEN WITH AN 11 MEGOHM INPUT VTVM. VOLTAGES MAY VARY $\pm 10\%$.
 - ALL SWITCHES SHOWN AT FULL COUNTERCLOCKWISE ROTATION, EXCEPT SWITCH S3 WHICH IS AT FULL CLOCKWISE ROTATION.
 - TUNING CAPACITOR CLOSED.
 - SWITCH LUGS WITH THE SAME NUMBERS ON DECKS AR AND AF ARE CONNECTED TOGETHER (12 TO 12, 11 TO 11, ETC.).
 - * VOLTAGE MEASURED WITH BAND SWITCH S2 AT BAND F.
 - ** ALL SECTIONS SHOWN HERE ARE VIEWED FROM THE FRONT PANEL: SWITCH SHOWN IN BAND A POSITION.