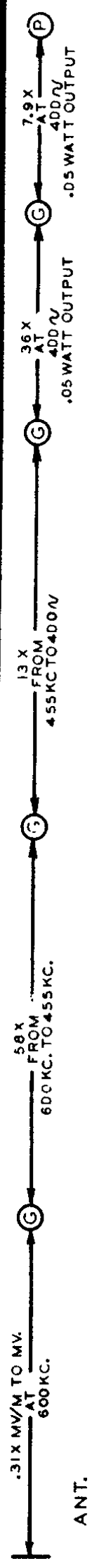


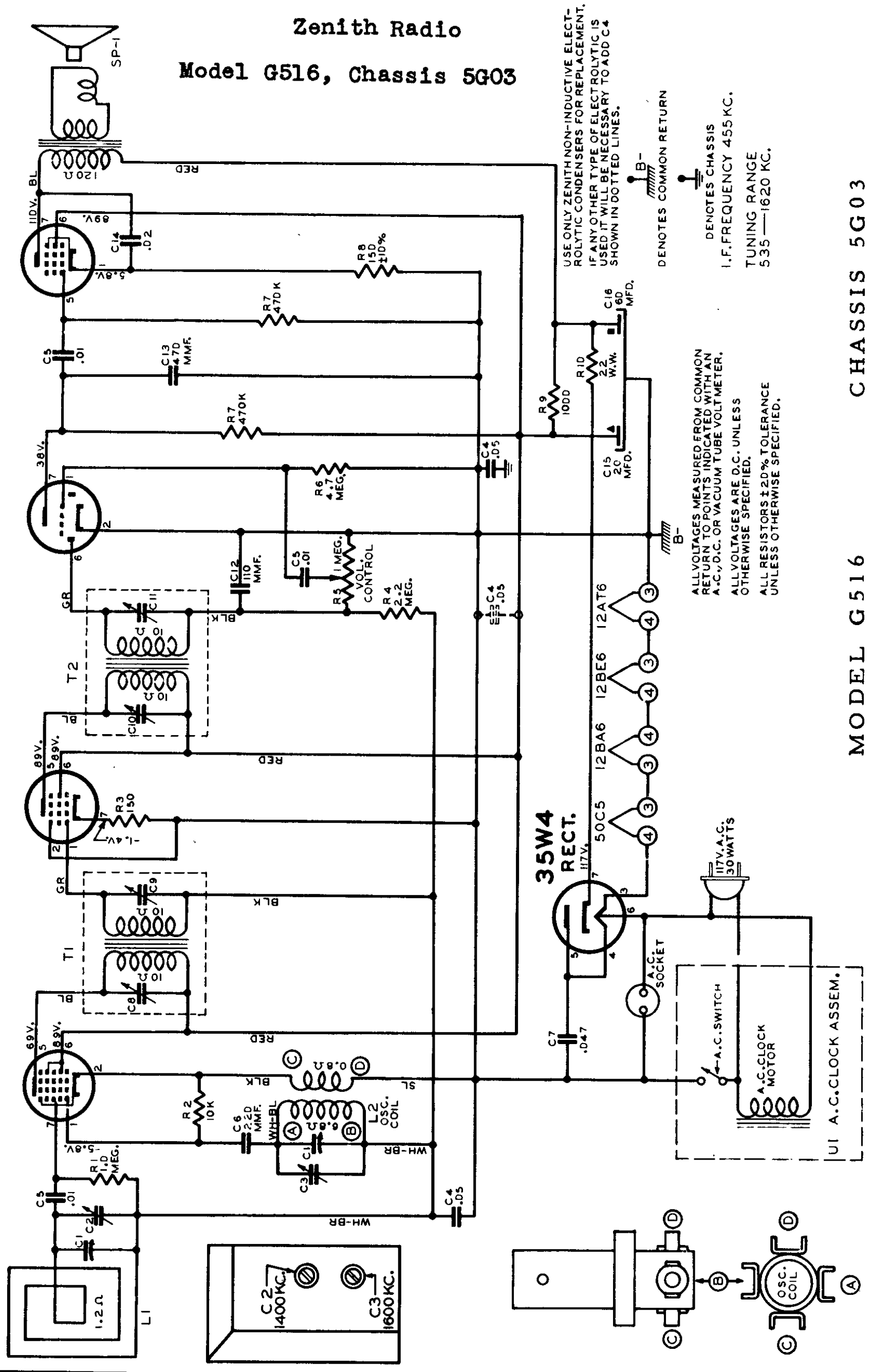
MANUAL OF 1950 MOST-OFTEN-NEEDED RADIO DIAGRAMS

Zenith Radio

Model G516, Chassis 5G03



12BE6
CONVERTER
12BA6
I.F.
12AT6
DET. AMP.
50C5
PWR.-AMP.



USE ONLY ZENITH NON-INDUCTIVE ELECTROLYTIC CONDENSERS FOR REPLACEMENT. IF ANY OTHER TYPE OF ELECTROLYTIC IS USED IT WILL BE NECESSARY TO ADD C4 SHOWN IN DOTTED LINES.

⏏ DENOTES COMMON RETURN

⏏ DENOTES CHASSIS

I.F. FREQUENCY 455 KC.
TUNING RANGE 535—1620 KC.

ALL VOLTAGES MEASURED FROM COMMON RETURN TO POINTS INDICATED WITH AN A.C., D.C. OR VACUUM TUBE VOLT-METER. ALL VOLTAGES ARE D.C. UNLESS OTHERWISE SPECIFIED.

ALL RESISTORS ±20% TOLERANCE UNLESS OTHERWISE SPECIFIED.

MODEL G516

CHASSIS 5G03