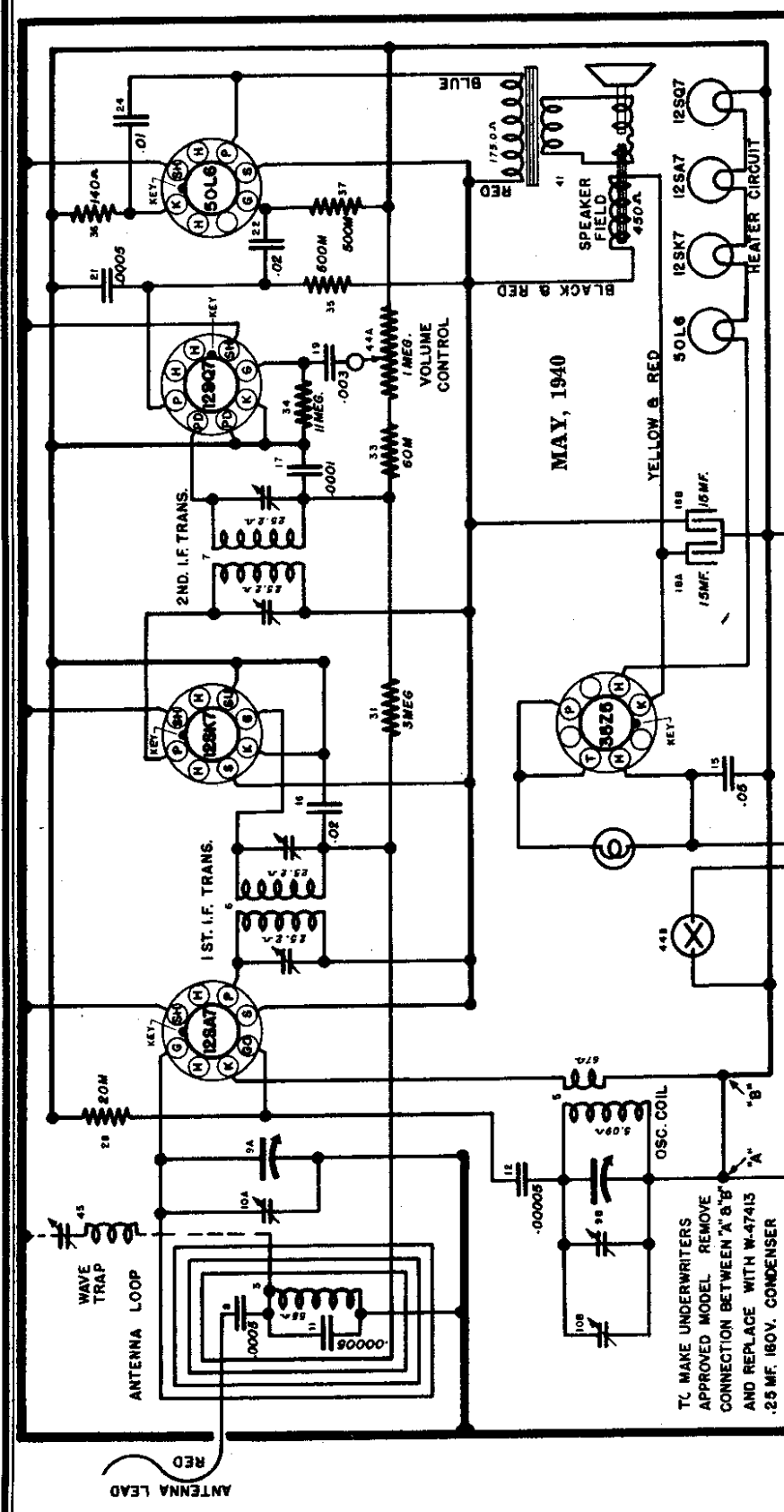
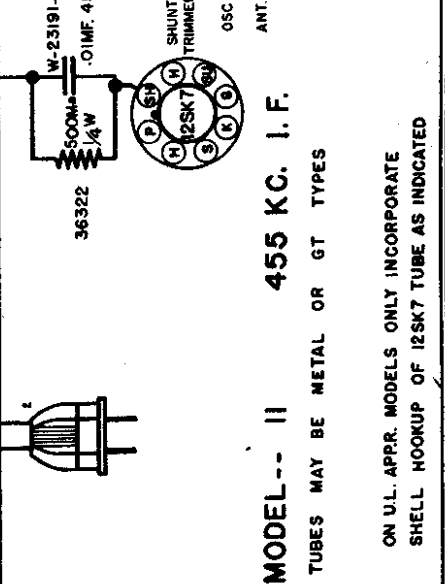
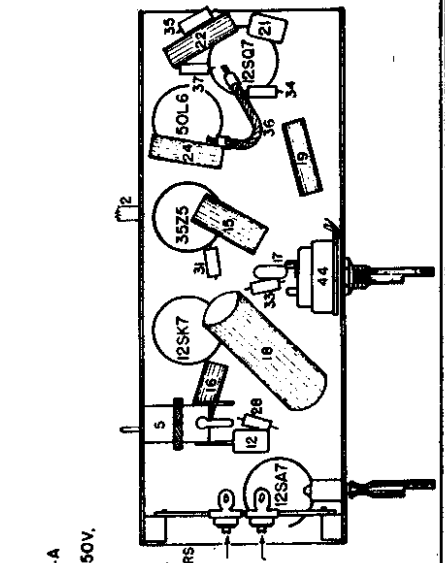


THE CROSLY CORP.

MODELS 11, J11



MAY, 1940



MODEL -- 11 455 KC. I. F.

TUBES MAY BE METAL OR GT TYPES

ON U.L. APPR. MODELS ONLY INCORPORATE SHELL HOOKUP OF 12SK7 TUBE AS INDICATED

TC MAKE UNDERWRITERS APPROVED MODEL REMOVE CONNECTION BETWEEN "A" & "B" AND REPLACE WITH W-47413 .25 MF. 180V. CONDENSER

