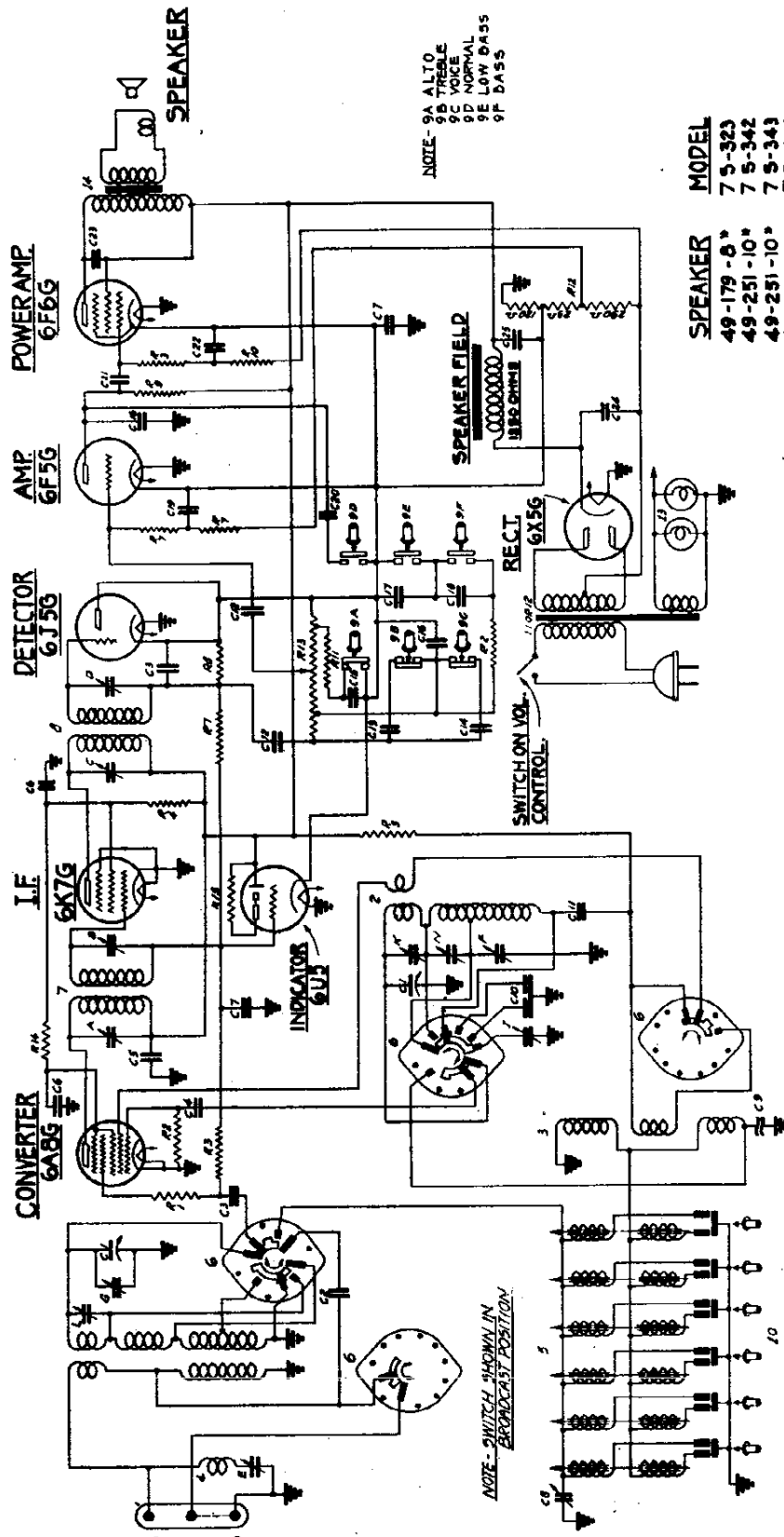


ZENITH RADIO CORP.

MODELS 7S323, 7S342, 7S363, 7S366, 7S364
 Chassis 5714
 Schematic, Parts



NOTE - 9A ALTO
 9B TREBLE
 9C VOICE
 9D NORMAL
 9E LOW BASS
 9F BASS

| MODEL | SPEAKER |
|---------|------------|
| 7 S-323 | 49-179-8" |
| 7 S-342 | 49-251-10" |
| 7 S-343 | 49-251-10" |
| 7 S-363 | 49-208-10" |
| 7 S-364 | 49-249-12" |
| 7 S-364 | 49-266-12" |

IF FREQUENCY 455 KC
 7 TUBE SUPERHETERODYNE
 CHASSIS NO 5714-A.C. 3-BAND
 ZENITH RADIO CORPORATION
 CHICAGO, ILL.

| QTY | PART NO | DESCRIPTION | QTY | PART NO | DESCRIPTION |
|-----|---------|----------------|-----|---------|---------------|
| 1 | 6A8G | CONVERTER | 1 | 6X5G | RECT. |
| 1 | 6K7G | I.F. AMPLIFIER | 1 | 6J5G | DETECTOR |
| 1 | 6F5G | AMP | 1 | 6F6G | POWER AMP |
| 1 | 6V6 | INDICATOR | 1 | 500K | POTENTIOMETER |
| 1 | 6X4 | SWITCH | 1 | 100K | POTENTIOMETER |
| 1 | 6X5 | SWITCH | 1 | 500K | POTENTIOMETER |
| 1 | 6X6 | SWITCH | 1 | 500K | POTENTIOMETER |
| 1 | 6X7 | SWITCH | 1 | 500K | POTENTIOMETER |
| 1 | 6X8 | SWITCH | 1 | 500K | POTENTIOMETER |
| 1 | 6X9 | SWITCH | 1 | 500K | POTENTIOMETER |
| 1 | 6X10 | SWITCH | 1 | 500K | POTENTIOMETER |
| 1 | 6X11 | SWITCH | 1 | 500K | POTENTIOMETER |
| 1 | 6X12 | SWITCH | 1 | 500K | POTENTIOMETER |
| 1 | 6X13 | SWITCH | 1 | 500K | POTENTIOMETER |
| 1 | 6X14 | SWITCH | 1 | 500K | POTENTIOMETER |
| 1 | 6X15 | SWITCH | 1 | 500K | POTENTIOMETER |
| 1 | 6X16 | SWITCH | 1 | 500K | POTENTIOMETER |
| 1 | 6X17 | SWITCH | 1 | 500K | POTENTIOMETER |
| 1 | 6X18 | SWITCH | 1 | 500K | POTENTIOMETER |
| 1 | 6X19 | SWITCH | 1 | 500K | POTENTIOMETER |
| 1 | 6X20 | SWITCH | 1 | 500K | POTENTIOMETER |

FOR TUNER DATA, SEE

MODELS 7S323, 7S342, 7S343
7S363, 7S364, 7S366
Chassis 5714

ZENITH RADIO CORP.

Voltage, Socket, Trimmers.
Alignment

NOTE

Voltages measured with a 1000 ohm per volt meter from chassis to socket contacts. Antenna disconnected — volume control on full.

Line voltage 115 V. Consumption 65 watts.

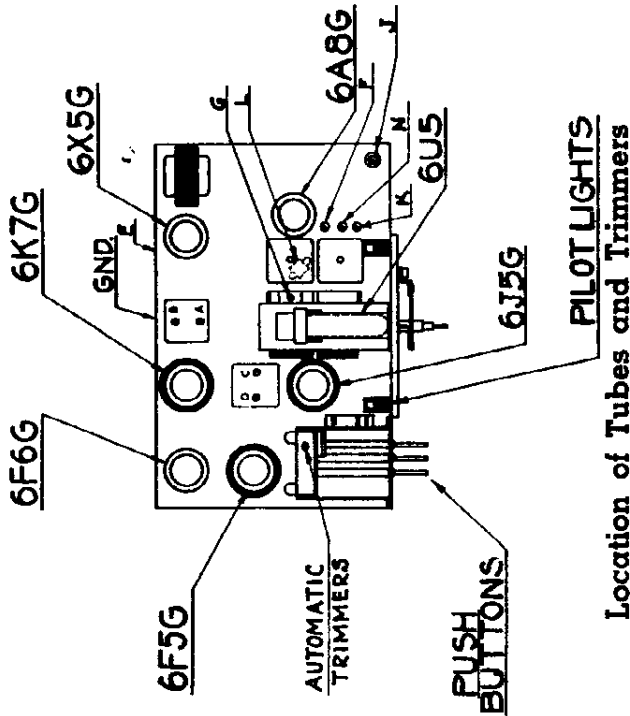
Power Output 4.5 watts.

(A) Bias for 6J5 — 6K7 and 6A8 measured across X of voltage divider is—2 volts.

(B) Bias for 6F5 measured across X and Y sections of voltage divider is—3.2 volts.

(C) Bias for 6F6 measured across XY and Z sections of voltage divider is—16 volts.

Models 7S323, 7S342, 7S343, 7S363, 7S364, 7S366
CHASSIS No. 5714

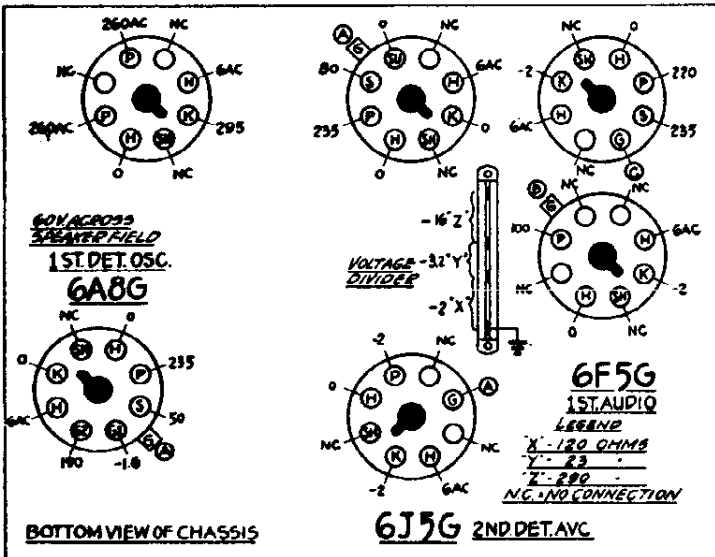


Location of Tubes and Trimmers

6X5G
RECT.

6K7G
I.F. AMP.

6F6G
OUTPUT



BOTTOM VIEW OF CHASSIS

ALIGNMENT PROCEDURE

| Operation | Connect Test Oscillator to | Dummy Antenna | Set Test Osc. to | Band | Set Dial At | Adjust Trimmers | Purpose |
|-----------|----------------------------|---------------|------------------|---------|-------------|-----------------|-----------------------------------|
| 1 | 1st Det. Grid | 1/2 Mfd. | 455 | Br'dc't | 600 | ABCD | I. F. Alignment |
| 2 | Rec. Ant. Post | 200 Mmfd. | 455 | " | 600 | E | See Note |
| 3 | " | 200 Mmfd. | 1500 | " | 1500 | F | Set Osc. to Scale |
| 4 | " | 200 Mmfd. | 1500 | " | 1500 | G | Alignm't of Ant. |
| 5 | " | 200 Mmfd. | 600 | " | 600 | J | Rock gang & adj. for max. output. |
| 6 | " | 200 Mmfd. | 18000 | " | 18000 | FG | Repea 3 & 4 |
| 7 | " | 400 Ohms | 18000 | S.W. | 18000 | K | Set Osc. to Scale |
| 8 | " | 400 Ohms | 18000 | S.W. | 18000 | L | Rock Gang & adj. for max. output. |
| 9 | " | 400 Ohms | 6000 | Police | 6000 | N | Rock Gang & adj. for max. output. |

NOTE: If receiver is used in location subject to code interference adjust wave trap (E) for minimum interference with antenna connected and receiver operating in broadcast band.