

PROVISIONAL SERVICE INFORMATION
FOR THE

PHILIPS

N4308



T A P E R E C O R D E R

CES➤

COMBINED ELECTRONIC SERVICES LIMITED
QUEENSWAY · WADDON FACTORY ESTATE · CROYDON · CR9 · 4DR

TELEPHONES

Spare part orders: 01-686 7311

General service enquiries: 01-688 7722

After business hours: Recorded messages on both lines

Telex 262308

SPARE PARTS LIST

(For Cabinet and Mechanical spare parts, see overleaf)

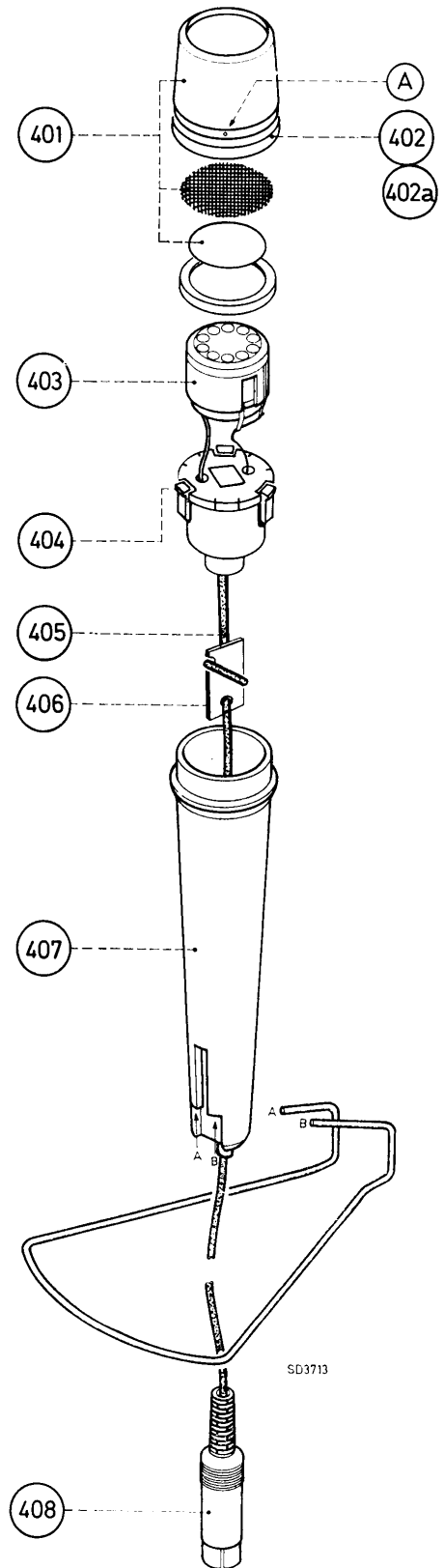
ELECTRICAL ASSEMBLY

Mains voltage selector	272.10079	R562—10Ω— $\frac{1}{8}$ W	110.60054
Print switch SK1	277.30389	R585—330Ω—1W	111.50165
Print switch SK2	277.30388	R576—NTC—47Ω	116.30077
Print switch SK3	277.30391	R577—2.2Ω—2W	113.60028
Switch SK4a, SK4b	278.90007	R578	} 1.8Ω— $\frac{1}{8}$ W	116.60007
Switch SK5	277.20067	R579	
Connecting plate with BU4 and BU1	267.20098	R581		} 2.2Ω— $\frac{1}{8}$ W
Connection plate with BU2 and BU3	267.20099	R582
Headphone socket BU5	267.40043						
SEMI-CONDUCTORS										
Potentiometer	R443—10kΩ log.	101.30204	TS1	BC109 or BC149B
Potentiometer	R445—2.2kΩ log.	101.30202	TS2	BC109 or BC149B
Potentiometer	R444—10kΩ log.	101.30204	TS3	BC109 or BC149B
Potentiometer	R447—47kΩ log.	101.30185	TS4	BC108 or BC148A
Preset potentiometer	R441—22kΩ	100.10086	TS5	BC108 or BC148A
Preset potentiometer	R442—22kΩ	100.10036	TS6	AC187/01
Preset potentiometer	R446—1kΩ	100.10021	TS7	AD162
Preset potentiometer	R448—100Ω	100.10073	TS8	AD161
Transformer	T1	145.30066	TS9	AC125
Oscillator coil	T3	157.50578	TS10	BC107A
Correction coil	T4	156.10325	GR1	BY126
Loudspeaker	L.S.	240.20035	GR2	OA95
Lamp LA (without print)	134.40032	GR3	BY126
Fuse Z1	252.20001						
Modulation meter ME	347.10033						
ACCESSORIES										
LEAD ASSEMBLY										
C737—100uF—16V	124.20078	Connecting lead—complete	EL3768/03
C741, C744—220uF—16V	124.20082	3-pole plug	264.40018
C760, C769—330uF—16V	124.20153	Lead—2 yards	926.KA/800AC8
C751, C753, C768, C755—680uF—40V	124.20413	RA1 Resistor	B8.305.80A/1M5
C749, C748—33uF—40V	124.20087						
C727—68uF—16V	124.30377						
C764—150uF—6.3V	124.20387						
C735—0.64uF—64V	124.20092						
C734, C729, C740—2.5uF—64V	124.20095						
C742, C752, C756, C761, C762							
TAPE, ETC.										
					*Spool with tape	LP18
					Spool—empty	ER18
					Index box	ET4742/00
					Library rack	256.97001

* Supplies of magnetic tape (or tape cassettes as applicable) should be obtained from the General Sales Division of Philips Electrical Ltd.

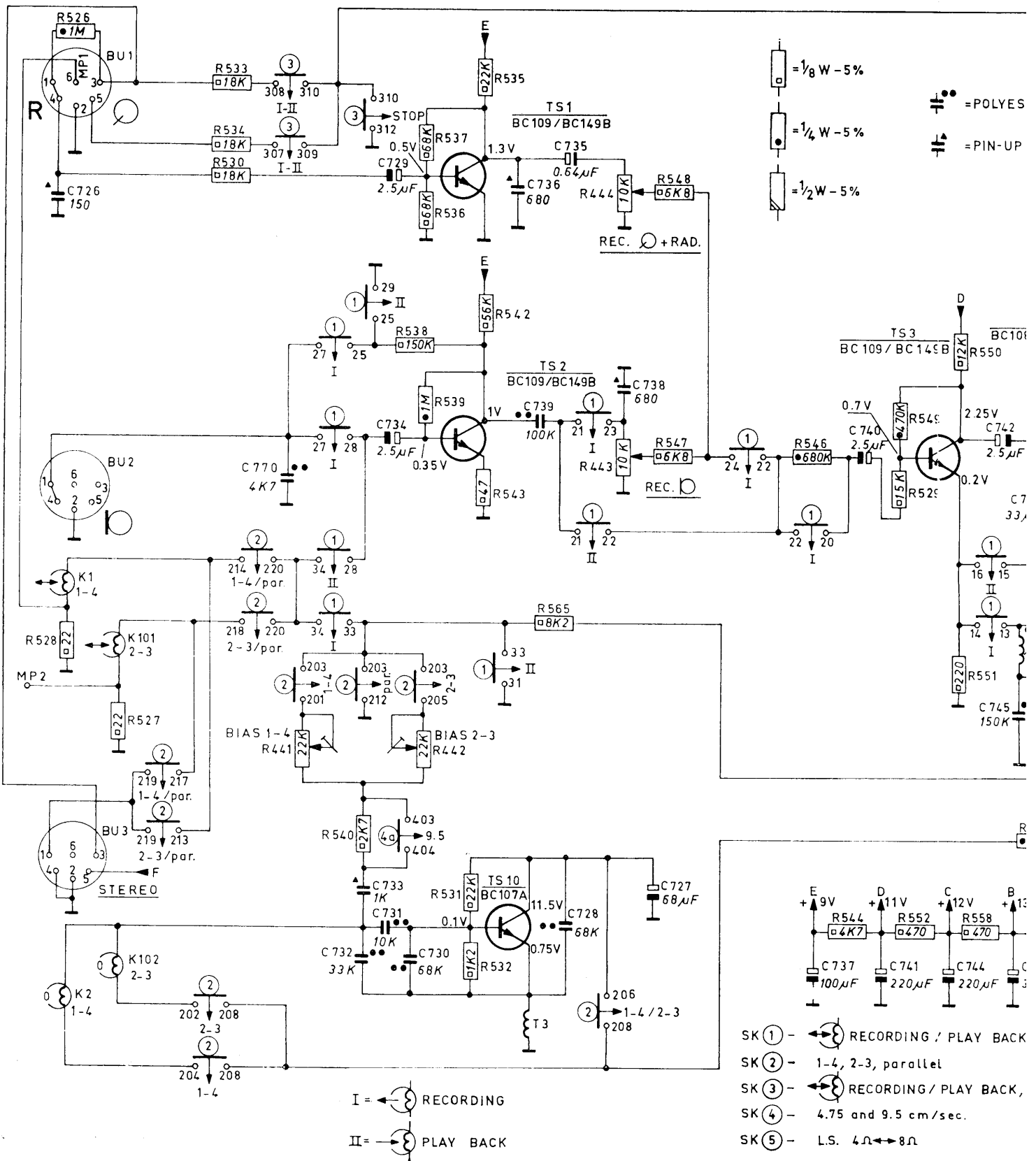
MICROPHONE ASSEMBLY

Microphone complete	N8301/00
401 Cap assembly	447.10107
402 Ornamental ring	532.20332
402a Cover plate	466.80223
402a Capsule	EL6072/10
Retaining piece assembly	310.20139
405 Flex	322.10013
406 Relief plate	466.90346
407 Housing	447.10108
408 Plug	264.40018
Stand	462.10069
Stand clamp	256.90042

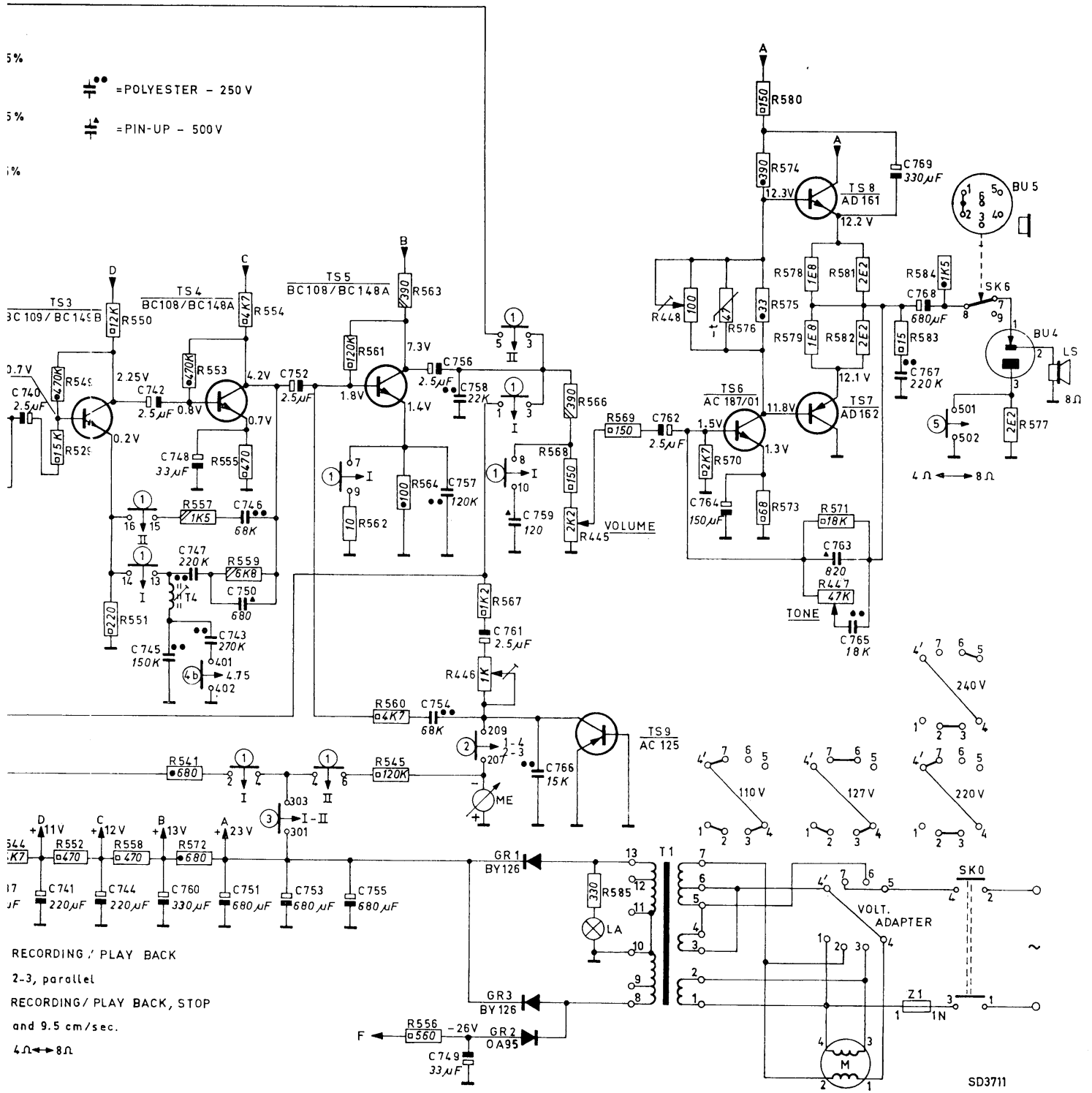


Microphone — Type N8301/00

R	528.526.	527.	441.	540.	538.	537.442.532.542.	565.	444.	548.	546.	544.	552.	558.551.
R			533.534.530.			531.536.539.	535.	443.	547.			529.549.	550.
C	726.		770	732.734.733.731.729.730.		739.736.735.728.	738	727.		737.740.741.		748.744.747.74	

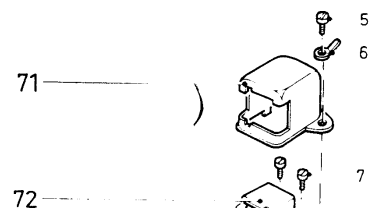
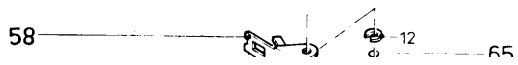
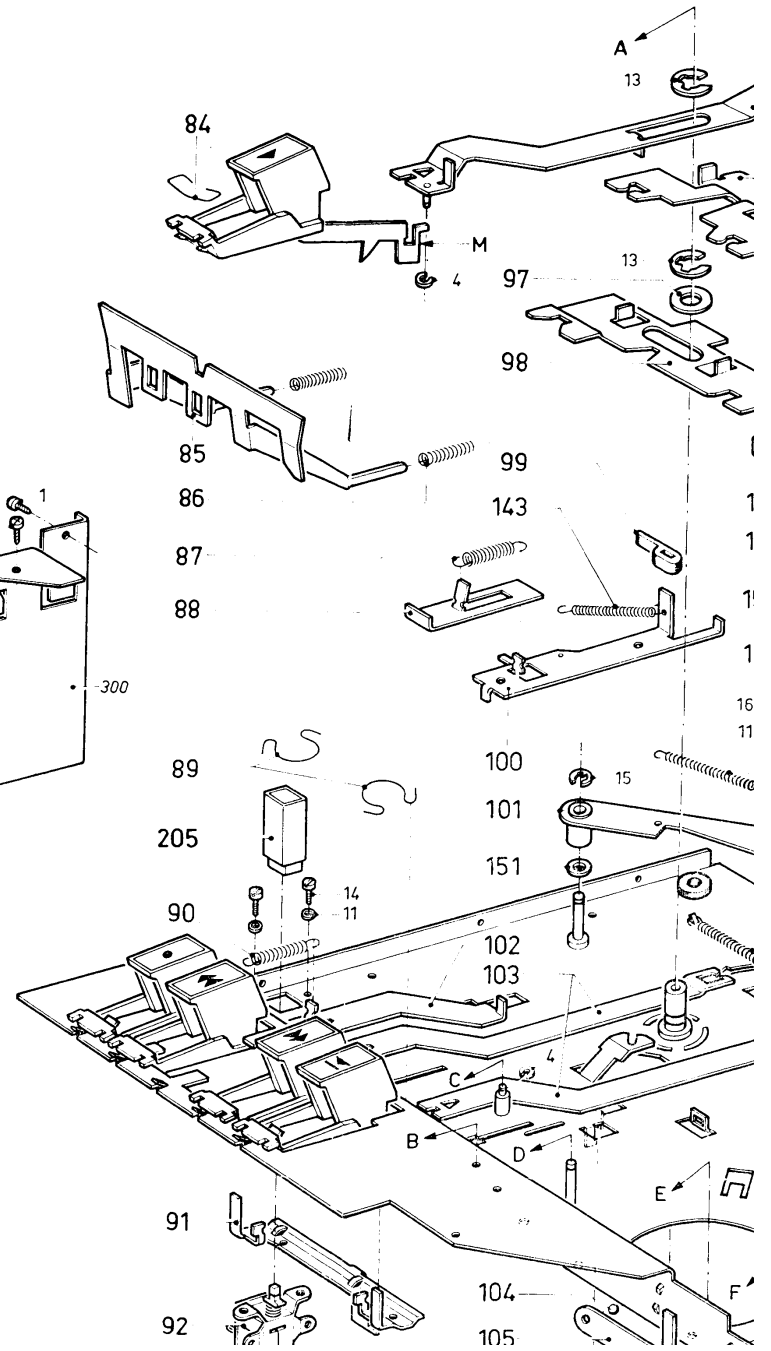
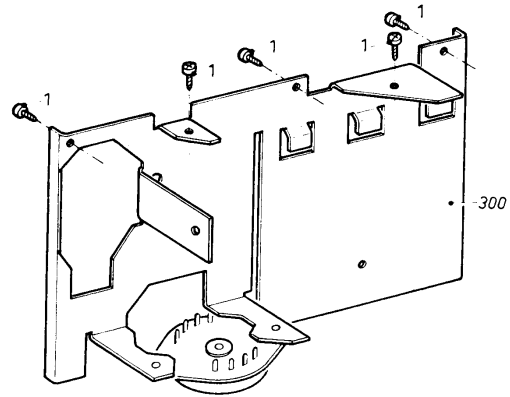
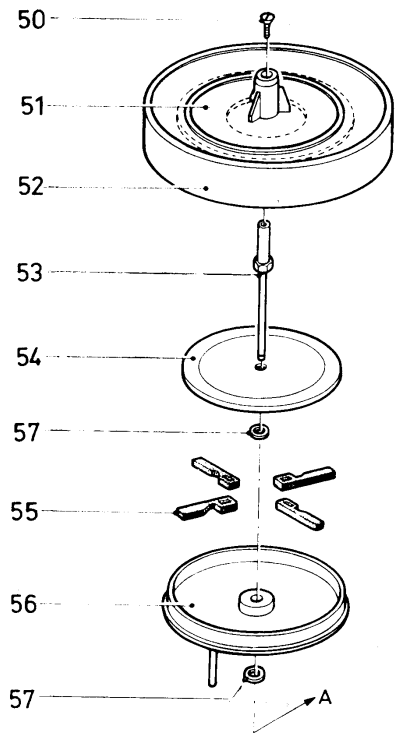


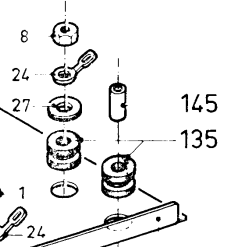
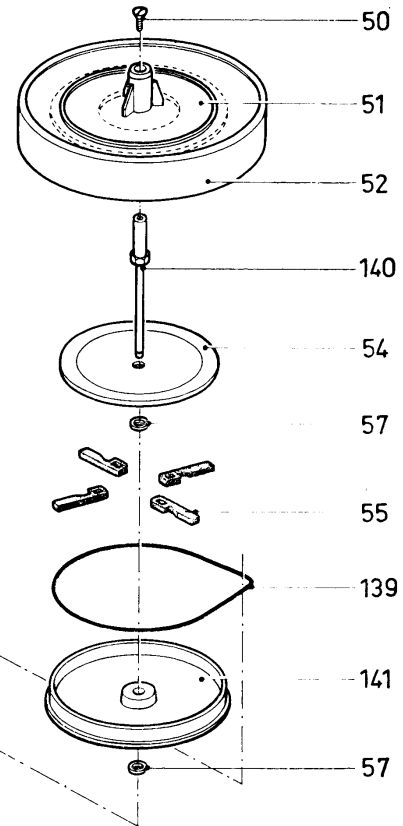
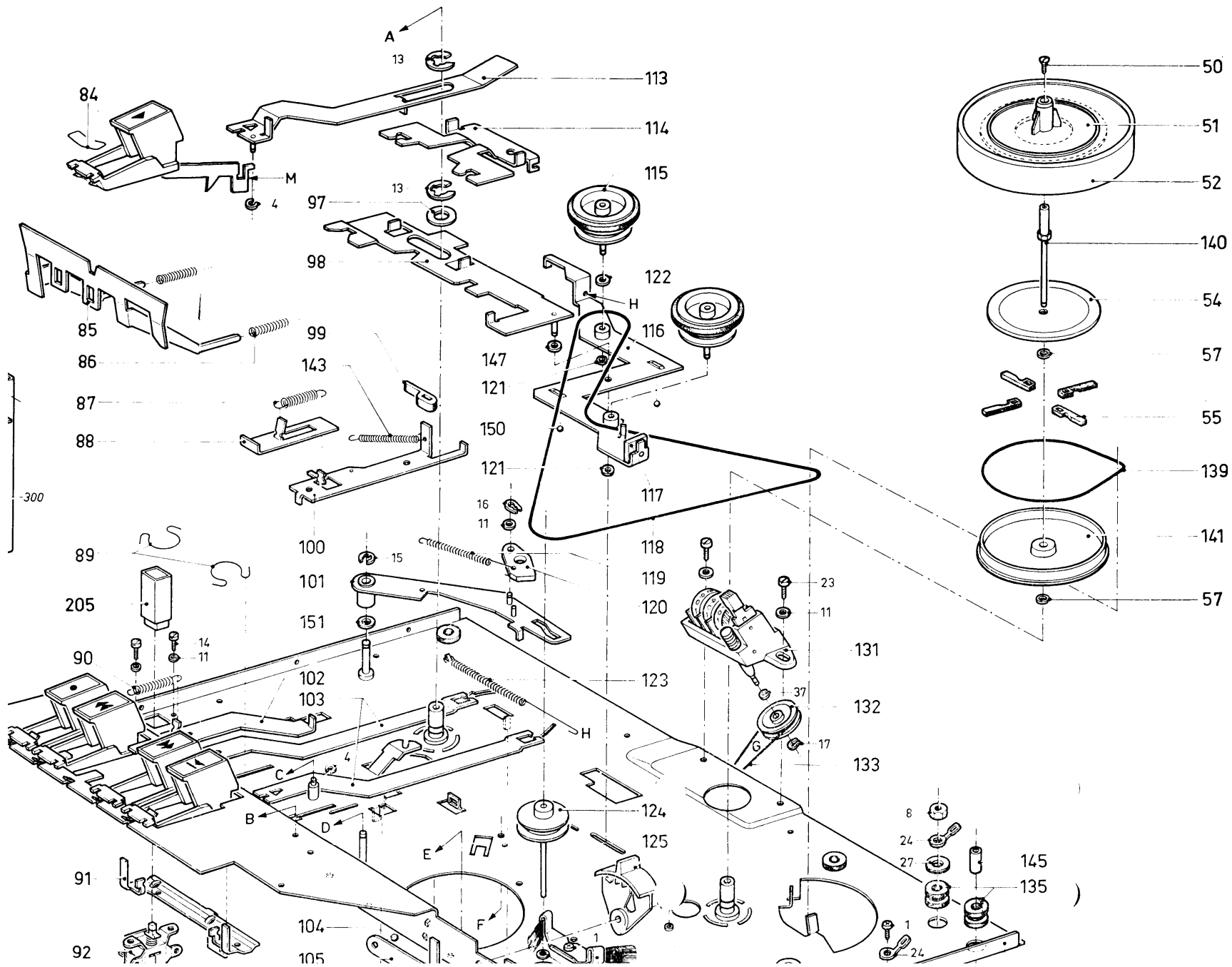
544.	552.	558.551.	541.557.555.	554.	561.560.	563.556.	567.	568.	566.569.	448.	570.	580.574.573.581.571.	583.	577.
529.549.	550.	572.553.559.			562.545-564.	446.			445.585.			576.575.578-579.582.447.	584.	
17.740-741.	748.744-747-745.760.747.743.750.746.751.752-753.	755.	754.749.757.758.761.759.766.								762.	764.	763.765.	769.767.768.

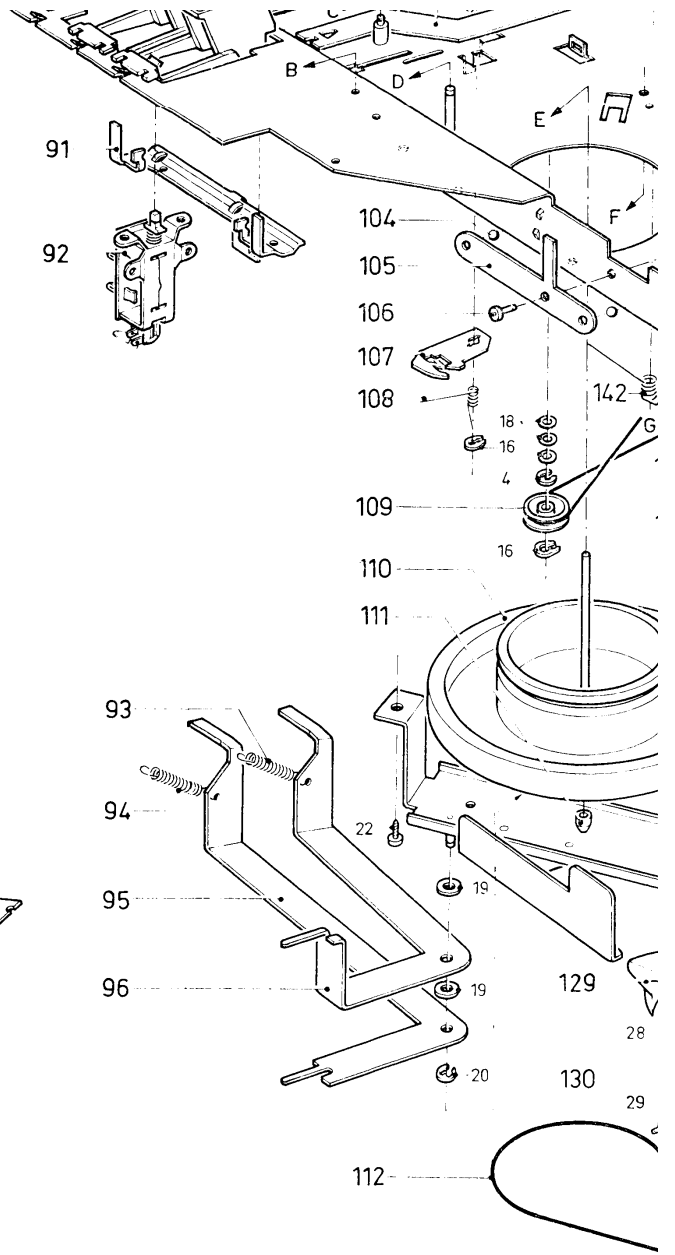
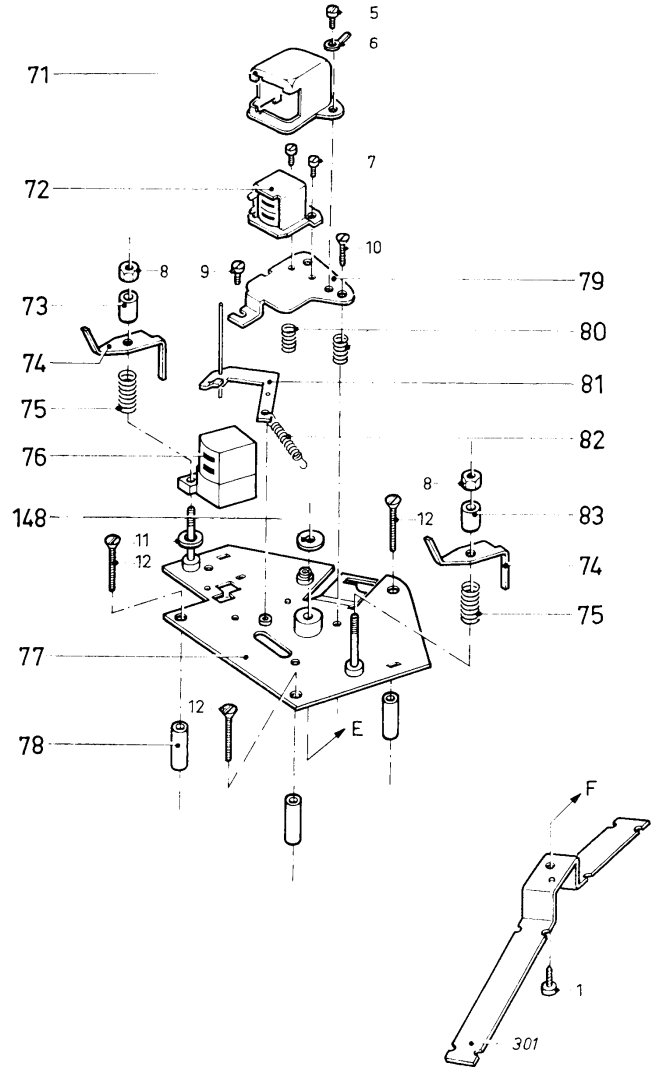
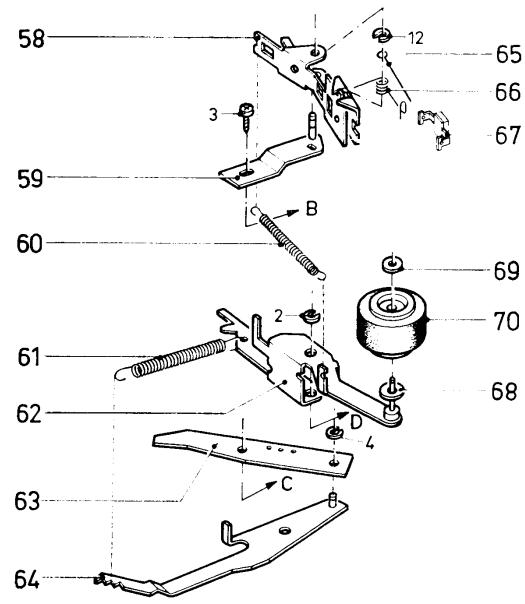


CIRCUIT DIAGRAM

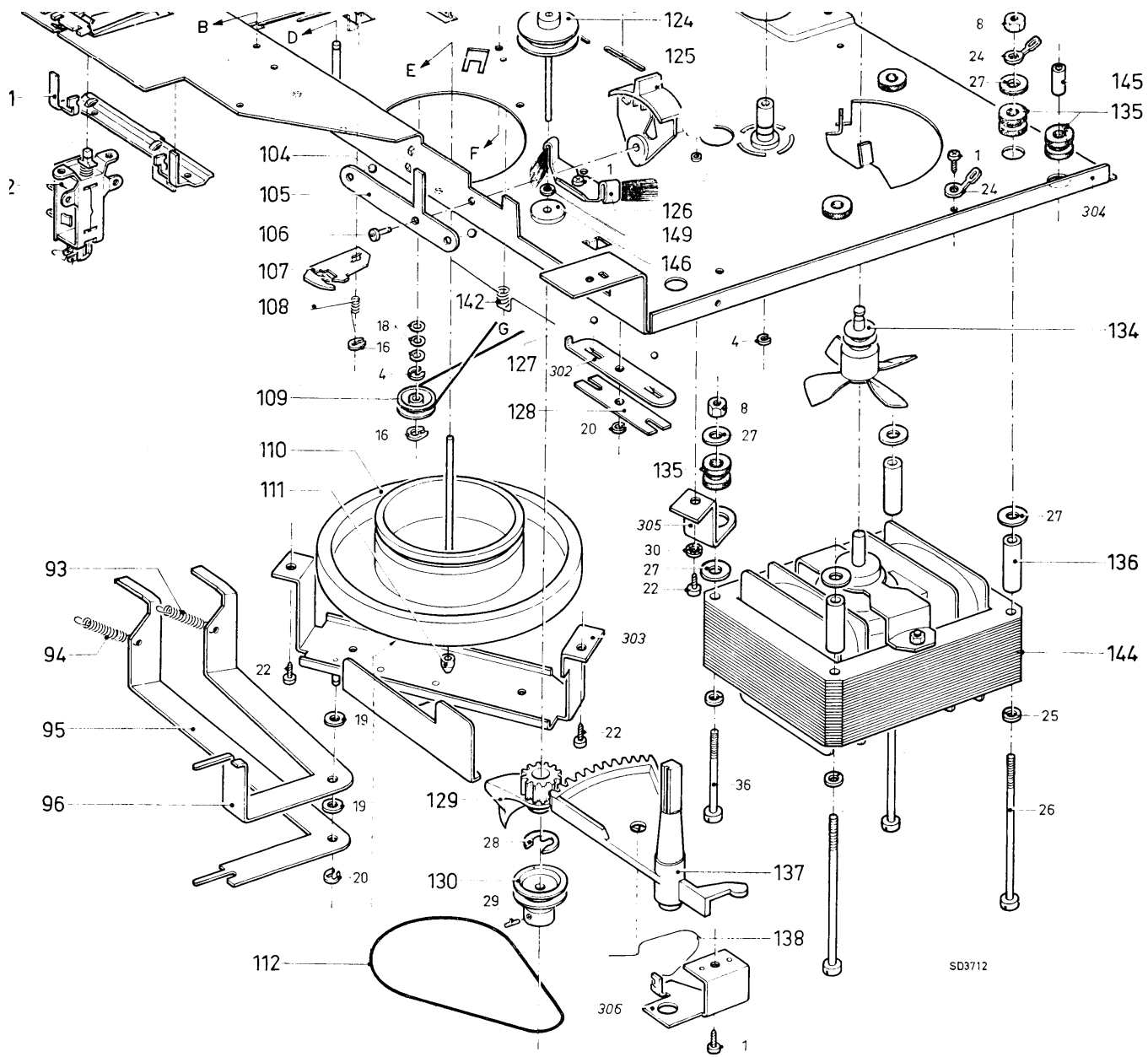
Note: Headphone socket BU5 not connected.







EXPLODED VIEW



EXPLODED VIEW

SPARE PARTS LIST

SUPPLY OF SPARE PARTS: To ensure correct interpretation of requirements please include the following information on orders for spare parts.

1. The full type number recorded on the type number plate, including any suffix. **Do not use the commercial abbreviation which may be misleading.**
2. Whenever possible, quote the serial number of the recorder. In some recorders the components have been changed during production.
3. **Always give a brief description** and colour where applicable.
4. Quote part number.

If it is necessary to return components, always include full identification on the accompanying advice note.

Posn. No.							
	MECHANICAL ASSEMBLY						
1	Self tapping screw	5N x 3/8"	502.30042		
2	Circlip	2.3	530.70043		
3	Screw	3 x 6	502.10673		
4	Circlip	3, 2	532.70123		
5	Screw	2, 6 x 5	502.10034		
6	Soldering tag		290.30058		
7	Screw	2 x 5	502.10679		
8	Nut	M4	505.10326		
9	Screw	2, 6 x 5	502.10034		
10	Screw	2, 6 x 20	502.10093		
11	Ring	4	532.30095		
12	Screw	4 x 2	502.10674		
13	Circlip	6	530.70126		
14	Screw	2, 6 x 5	502.10034		
15	Circlip	4	530.70124		
16	Circlip	3	530.70115		
18	Ring	3, 2	532.50689		
19	Ring	4	532.10333		
20	Circlip	3.2	530.70123		
22	Screw	4 x 5	502.30006		
23	Screw	3 x 8	502.10689		
24	Soldering tag		290.30061		
25	Ring	4, 1	530.80088		
26	Screw	4 x 65	502.10056		
27	Ring	4	532.10333		
28	Circlip	6	530.70127		
29	Screw	3 x 6	502.10664		
30	Ring	4	530.80006		
36	Screw	4 x 40	502.10696		
37	Circlip	4, 3	532.10333		
40	Screw	2 x 5	502.10026		
41	Ring	4	530.80006		
42	Ring	4, 3	532.10333		
43	Circlip	2, 3	530.70043		
44	Self tapping screw	4N x 3/8"	502.30001		
50	Screw	M3 x 5	502.10865		
						51	Friction ring felt 532.50691
						52	Turntable 528.10183
						53	Shaft of left-hand turntable 535.80394
						54	Friction disc 528.20125
						55	Brake shoe 466.40025
						56	Friction disc left-hand 691.20012
						57	Ring 3, 2 532.50689
						58	Bracket—complete 403.50474
						59	Bracket 403.50481
						60	Tension spring 492.30631
						61	Tension spring 492.30628
						62	Pressure roller lever—complete 403.40034
						63	Bracket 403.50468
						64	Bracket 403.50469
						65	Wire spring 535.90572
						66	Torsion spring 492.61289
						67	Pressure felt 403.50473
						68	Ring 4.2 310.40003
						69	Ring 2, 5 532.50266
						70	Pressure roller 528.70034
						71	Screening cover 462.50121
						72	Recording/playback head 249.10047
						73	Tape guide, left 532.20251
						74	Bracket 403.50147
						75	Pressure spring 492.60352
						76	Erase head 249.40033
						77	Head plate with flywheel bearing 403.50471
						78	Spacer 4.1 x 6 x 14 mm. 532.20427
						79	Head mounting plate 403.50489
						80	Pressure spring 492.50684
						81	Bracket 403.50472
						82	Tension spring 492.30629
						83	Tape guide, right 532.20243
						84	Wire spring 492.61291
						85	Bracket 403.50482
						86	Pressure spring 492.50655
						87	Tension spring 492.30634
						88	Bracket 403.50478
						89	Wire spring 492.60362

90	Tension spring	492.30259
91	Bracket	403.30136
92	Mains switch, complete	276.10287
93	Tension spring	492.20533
94	Tension spring	492.30632
95	Bracket	403.50477
96	Bracket	403.50475
97	Ring 7, 5	532.10372
98	Bracket	403.50151
99	Brake shoe	466.40323
100	Bracket	403.50479
101	Brake bracket	403.10396
102	Bracket	403.50476
103	Bracket	403.50466
104	Ball $\frac{3}{16}$ "	520.40317
105	Leaf spring	492.61292
106	Pin	535.90552
107	Bracket	403.30135
108	Torsion spring	492.40301
109	Pulley	528.80107
110	Flywheel	528.60351
111	Thrust bearing	462.70354
112	Cord	358.30024
113	Bracket	403.50467
114	Bracket	403.50129
115	Pulley	528.80146
116	"Z" bracket	403.50437
117	Brake shoe	466.40369
118	Cord	358.30314
119	Tension spring	492.30416
120	Brake shoe	466.40071
121	Ring 1, 5	532.50268
122	Ring 2, 2	532.50692
123	Tension spring	492.30263
124	Pulley	528.80108
125	Track selector knob	411.50152
126	Cord brush	479.30026
127	Ball	520.40005
128	Leaf spring	492.60356
129	Speed selector	522.30464
130	Pulley	528.80109
131	Counter	349.50028
132	Pulley	528.80106
133	Counter cord	358.30323
134	Motor pulley 50—60Hz	528.50028
135	Grommet	325.80066
136	Spacer	532.20429
137	Speed selector segment	522.30795
138	Wire spring	492.60355
139	Cord	358.30095
140	Shaft of turntable, right-hand	535.80393

141	Friction disc, right-hand	691.20014
142	Torsion spring	492.40119
143	Tension spring	492.30267
144	Motor 50-Hz + pulley 50—60Hz	361.70133
or 144	Motor 60Hz	361.70135
145	Spacer	532.20428
146	Bearing	520.30187
147	Ring 4, 1	532.50286
148	Ring	532.50006
149	Ring 3, 2	532.50689
150	Ball	520.40005
151	Ring 5, 2	532.50301
170	Bracket	403.10097
171	Bracket	403.50483

CASE ASSEMBLY

200	Top plate—complete	443.30151
201	Ornamental screw 4 × 25	502.10863
202	Side panel, left, wood	443.50137
203	Handle	498.30347
	Leaf spring of handle	492.61325
204	Bracket of handle	403.50465
205	Knob of on-off switch	410.20749
206	Ornamental screw 4 × 35	502.10364
207	Recording button, complete with bracket	410.20755
208	Ornamental frame	459.20117
209	Fast rewind button, complete with bracket	410.20752
210	Playback button, complete with bracket	410.20754
211	Fast wind button, complete with bracket	410.20751
212	STOP button	410.20748
213	PAUSE button, complete with bracket	410.20753
214	Screw 2.6 × 6	502.10862
214	Nut M2.6	505.10324
215	Head cover	443.60277
216	Knob	413.40392
	Circlip of knob, item 216	532.10284
217	Side panel, right, wood	443.50136
218	Indication meter	347.10033
219	Speed selector knob	411.50151
220	Print, complete with lamp	691.30028
221	Lock, complete	444.60147
222	Lid complete	442.30152
223	Leaf spring of speaker mounting	429.61288
224	Screw 3 × 5	502.10558
225	Lid of lead stowage compartment	443.60266
226	Lower case section, complete	443.50135
227	Screw 4 × 6	502.10046
227	Ring 4.3	532.10333
228	Voltage adapter	272.10079
229	Foot	462.40014