

MANUAL OF 1947 MOST-OFTEN-NEEDED RADIO DIAGRAMS

ADMIRAL CORPORATION. Information on MODEL 5B1A Phono Chassis.

The Model 5B1A is similar to Model 5B1 listed on pages 10 & 11 in Vol. 6, 1946 Manual. The main differences are:

A new rotary phono-radio switch is used to positively eliminate cross talk. This is accomplished by opening the B+ feed to the front end of the set when the switch is in the photograph position. *** A 10 megohm resistor R14 has been added to the circuit to prevent occasional momentary blocking of the 12SK7 tube employed in the I.F. stage.

Admiral Corporation Model 3A1-AN

See page 7 of Vol. 6
1946 Manual for the
similar model 3A1.

VOLTAGE DATA

Voltage measured from socket terminal to point marked "X". Large numerals indicate readings with vacuum tube voltmeter. Small numerals indicate readings with 1000 ohm-per-volt meter.

* * *

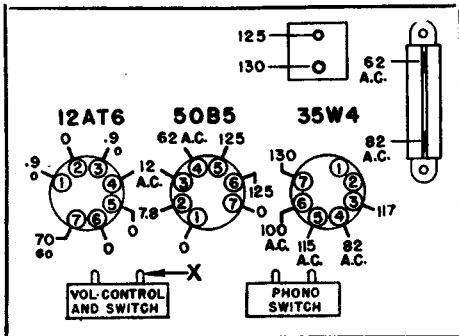
POWER SUPPLY

Operation on 105-125 volts, 60-cycle, alternating current only. Power consumption: 45 watts.

RECORD CHANGER

Complete service information and parts list are covered by a separate service manual. Check record changer for model number since different record changers may be used from time to time.

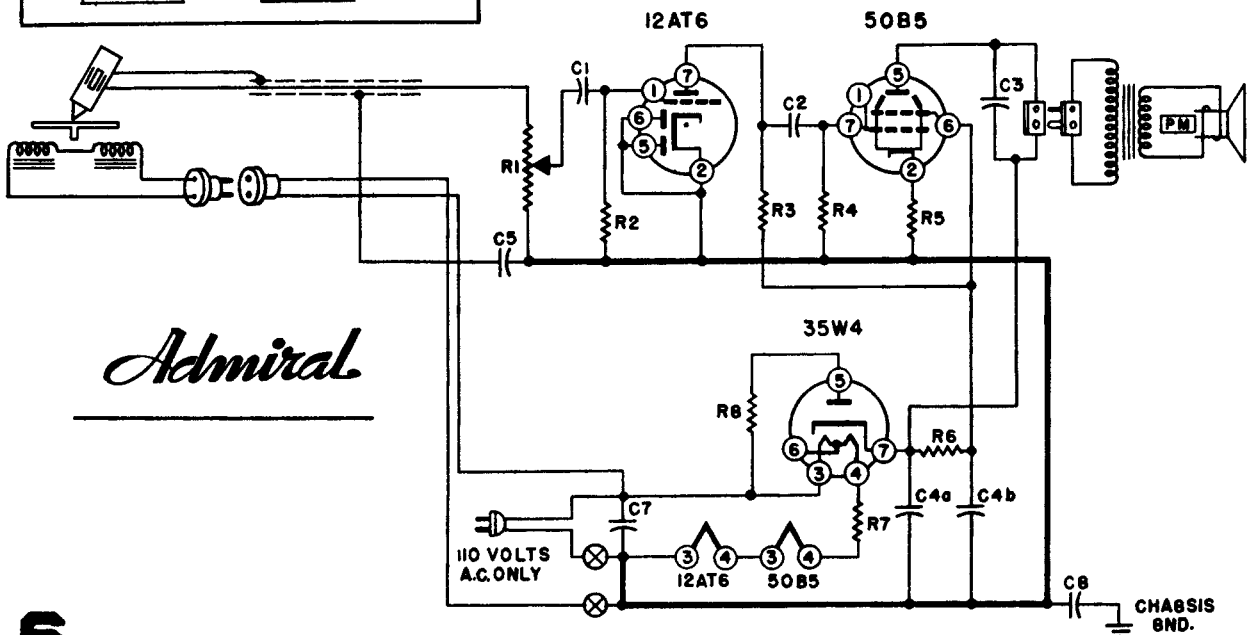
VOLTAGE CHART



RESISTORS			CONDENSERS		
SYMBOL	OHMS	WATTS	SYMBOL	CAPACITY	VOLTS
R1	1,000,000	V. C.	C1	.005 Mfd.	600
R2	10,000,000	½	C2	.01 Mfd.	400
R3	270,000	½	C3	.02 Mfd.	400
R4	470,000	½	C4a	50. Mfd.	150
R5	150	1	C4b	30. Mfd.	150
R6	1,500	1	C5	.1 Mfd.	400
R7	130	5	C6	.1 Mfd.	400
R8	33	1	C7	.05 Mfd.	400

TUBES USED

12AT6—Driver (audio) 50B5—Power Output 35W4—Rectifier



Admiral