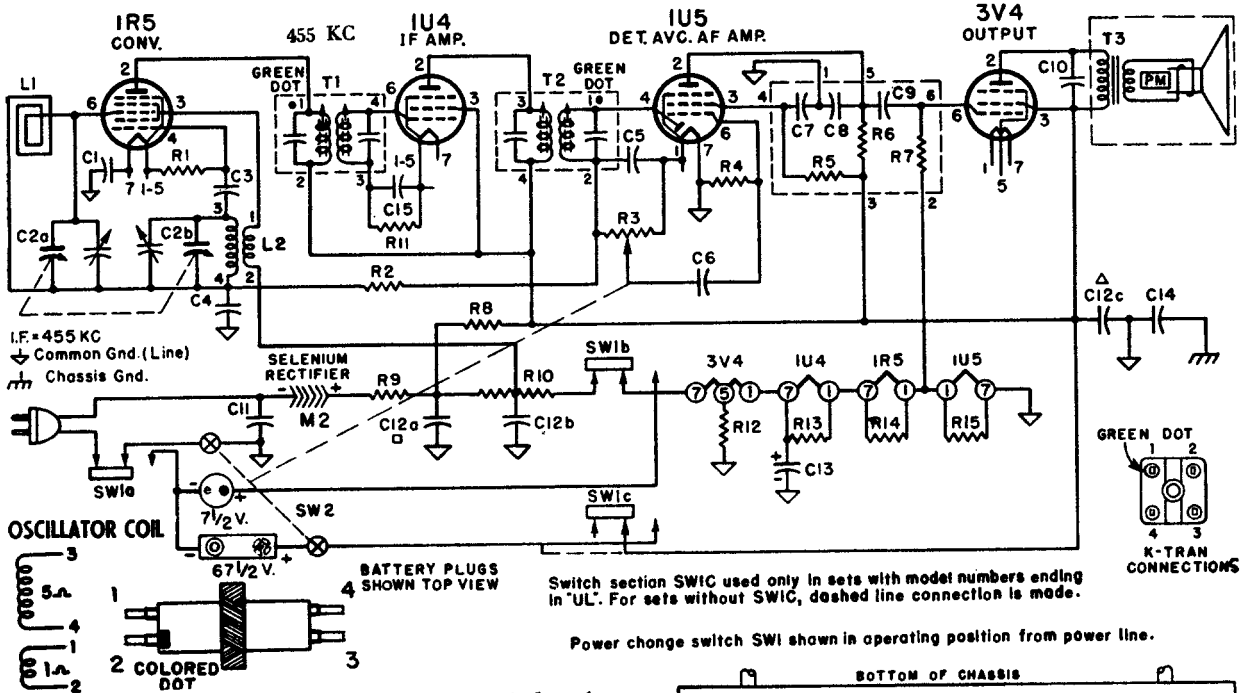
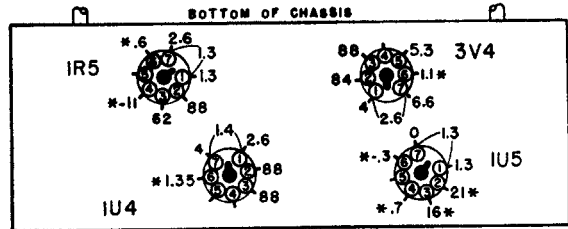


MANUAL OF 1949 MOST-OFTEN-NEEDED RADIO DIAGRAMS



- Voltage readings taken between tube socket terminals and B minus (metal shell of electrolytic condenser).
- Dial set to low frequency, no signal, and volume control minimum.
- Measurements made from 117 volts AC line. If measured from DC line, voltages may be slightly lower.
- Voltage readings taken with a vacuum tube voltmeter. Socket terminals marked with an asterisk * indicate much lower voltage or zero voltage if measured with a 1000 ohm-per-volt meter.
- If measurements are made on battery operation, tube filament and B plus voltages will vary with the condition of the batteries. These voltages will equal the terminal voltage of the A or B battery less the voltage drop through components.



* If taken with a 1000 ohm-per-volt meter, readings will be lower or zero.

RESISTORS

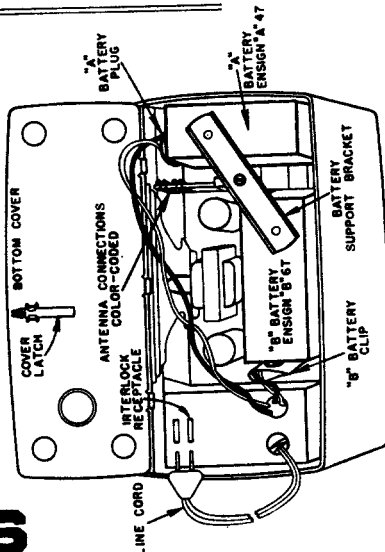
Symbol	Description	Part No.
R1	100,000 Ohms, 1/4 Watt	60B 27-104
R2	3.3 Megohms, 1/4 Watt	60B 27-335
R3	1 Megohm, Volume Control and On-Off Switch	75B 1-21
R4	10 Megohms, 1/4 Watt	60B 27-106
R5	4.7 Megohms	
R6	1 Megohm	
R7	2.2 Megohms	
R8	2,700 Ohms, 1 Watt	60B 14-272
R9	47 Ohms, 1 Watt	60B 14-470
R10	2,400 Ohms, 2.5 Watt	
R11	10 Megohms, 1/4 Watt (Tapped Condohm)	61A 5-3
	(R11 not used in early production)	60B 27-106
R12	2,200 Ohms, 1/4 Watt	60B 26-222
R13	390 Ohms, 1/4 Watt	60B 26-391
R14	160 Ohms, 1/4 Watt	60B 26-181
R15	120 Ohms, 1/4 Watt	60B 26-121

CONDENSERS

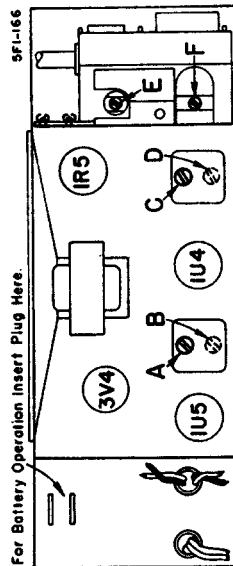
C1	.25 mfd., 200 Volts, Paper	64B 1-28
C2a	Gang, 420 mfd. (max)	68B 14
C2b	Gang, 126 mfd. (max)	
C3	100 mfd., Ceramic	65B 6-3
C4	.01 mfd., 400 Volts, Paper	64B 1-25
C5	100 mfd., Ceramic	65B 6-3
C6	.001 mfd., Ceramic (tolerance - 0%, + 20%)	65B 6-41
C7	.005 mfd., Ceramic	
C8	100 mfd., Ceramic	
C9	.005 mfd., Ceramic	
C10	.001 mfd., Ceramic (tolerance - 0%, + 20%)	65B 6-41
C11	.05 mfd., 400 Volts, Paper	64B 1-22
C12a	30 mfd., 150 Volts	
C12b	20 mfd., 150 Volts	Elect. 67C 7-1
C12c	20 mfd., 150 Volts	
C13	100 mfd., 25 Volts, Elect.	67A 4-6
C14	.1 mfd., 200 Volts, Paper	64B 1-30
C15	.001 mfd., Ceramic (tolerance - 0%, + 20%) (C15 not used in early production)	65B 6-41

Admiral

CHASSIS 5F1
 MODELS 5F11, 5F12



TUBE AND TRIMMER LOCATION



REPLACEMENT OF BATTERIES

Use replacement A and B batteries of the following types:
 A Battery: Ensign A47 or equivalent.
 B Battery: Ensign B67, Burgess XX45, Eveready 467 or equivalent.

† C7, C8, R5, R8, R7 are contained in a multiple-unit component called a couplate (part number 63A4-3). Although a defective section of the couplate can sometimes be replaced by individual components, we recommend replacing the entire couplate.

Note that numerals 1, 2, 3, 4, 5, and 6 shown at schematic connections, correspond to couplate lead numbers printed on body of couplate directly above the leads.