

MODELS 96X1 to 96X4, Chas. RC-400 RCA MFG. CO., INC.

96X11 to 96X14, Chas. RC-400A

MODEL U-104, Chassis RC-345H

Parts Lists

MODELS 96X-1, -2, -3, -4 and -11, -12, -13, -14

Chassis No. RC-400 and RC-400A
Replacement Parts

Insist on genuine factory-tested parts, which are readily identified and may be purchased from authorized dealers.

STOCK No.	DESCRIPTION	Unit List Price	STOCK No.	DESCRIPTION	Unit List Price
CHASSIS ASSEMBLIES					
32999	Back—Cardboard back for cabinet.....	.10	4858	Condenser—.01 mfd.....	.25
32544	Ballast—Ballast resistor type BK49B.....	.80	5198	Condenser—.035 mfd.....	.20
32530	Button—Ivory push button for 96X11, 96X12 and 96X14.....	.15	4886	Condenser—.05 mfd.....	.20
32528	Button—Walnut push button for 96X13.....	.15	4839	Condenser—.01 mfd.....	.30
X-580	Cabinet for 96X1.....	3.10	32548	Condenser—Electrolytic, one 12 mfd. and one 20 mfd. sections.....	.65
X-581	Cabinet for 96X2.....	3.10	32536	Condenser—Variable tuning condenser.....	2.40
X-582	Cabinet for 96X3.....	3.35	31456	Cover—1 set protective covers for push button markers.....	.08
X-583	Cabinet for 96X4.....	5.60	32539	Cord—Condenser drive cord.....	.10
X-644	Cabinet for 96X11.....	2.90	32540	Cord—Dial drive cord.....	.10
X-585	Cabinet for 96X12.....	2.90	32526	Dial—Black dial scale for 96X2 and 96X12.....	.35
X-645	Cabinet for 96X13.....	3.00	32527	Dial—Ivory dial scale for 96X4 and 96X14.....	.35
X-646	Cabinet for 96X14.....	6.20	32525	Dial—Walnut dial scale for 96X1, 96X3, 96X11 and 96X13.....	.35
32531	Coil—Antenna coil.....	.75	32290	Gear—Sector gear fastens on cam shaft of tuning mechanism—Models 96X11, 96X12, 96X13, 96X14.....	.50
32532	Coil—Oscillator coil.....	1.00	32542	Indicator—Dial indicator drum.....	.50
31379	Condenser—Trimmer, one 3-30 mmfd. and one 2-10 mmfd. sections (C5, C7).....	.40	32522	Knob—Ivory knob for 96X1, 96X3, 96X4, 96X11, 96X12, 96X14.....	.15
14079	Condenser—.8 mmfd.....	.35	32520	Knob—Tan knob for 96X3 and 96X13.....	.15
13057	Condenser—.80 mmfd.....	.35	31482	Screw—No. 8-32 set screw for condenser drive pulley or sector gear.....	.03
12488	Condenser—.250 mmfd.....	.35	32510	Screw—Push button cam locking screw—Models 96X11, 96X12, 96X13, 96X14.....	.10
31399	Condenser—.4700 mmfd.....	.65	32547	Shaft—Tuning knob shaft.....	.15
31480	Lamp—Dial lamp.....	.20	32543	Socket—Dial lamp socket and bracket.....	.20
31589	Marker—1 set push button call letter markers.....	.35	32537	Socket—Tube socket.....	.02
32810	Mechanism—Push button tuning mechanism comprising push arms, cam plate, frame, and mounting bracket assembled—Models 96X11, 96X12, 96X13, 96X14.....	5.40	31815	Spring—Drive cord tension spring.....	.02
32538	Pulley—Condenser drive pulley and gear—Models 96X11, 96X12, 96X13 and 96X14.....	.65	30585	Spring—Push button lever spring—Models 96X11, 96X12, 96X13, 96X14.....	.06
32541	Pulley—Condenser drive pulley—Models 96X1, 96X2, 96X3, 96X4.....	.35	31846	Spring—Retaining spring for knobs.....	.02
31606	Pulley—Indicator drum pulley.....	.20	32546	Switch—Band change switch.....	.85
32544	Resistor—Ballast resistor type BK49B.....	.80	32533	Transformer—First i.f. transformer.....	1.00
14439	Resistor—100 ohms, 1/2 watt.....	.20	32534	Transformer—Second i.f. transformer.....	.90
32535	Resistor—120 ohms, wire wound.....	.20	32545	Volume control and power switch.....	1.50
14499	Resistor—1,500 ohms, 1/2 watt.....	.20	SPEAKER ASSEMBLIES (84202-3)		
12454	Resistor—35,000 ohms, 1/2 watt.....	.20	31202	Cone—Speaker cone and voice coil.....	1.30
12412	Resistor—47,000 ohms, 1/2 watt.....	.20	31201	Speaker complete.....	3.95
12284	Resistor—220,000 ohms, 1/2 watt.....	.20	31203	Transformer—Output transformer.....	1.00
12285	Resistor—470,000 ohms, 1/2 watt.....	.20			
12679	Resistor—2.2 meg., 1/2 watt.....	.20			
12601	Resistor—10 meg., 1/2 watt.....	.20			

MODEL U-104

Chassis No. RC-345H

STOCK No.	DESCRIPTION	Unit List Price	STOCK No.	DESCRIPTION	Unit List Price
CHASSIS ASSEMBLIES (RC-345H)			PICKUP AND ARM ASSEMBLIES		
31198	Ballast—Ballast resistor tube (R7, R8).....	.80	32226	Base—Pickup arm pivot shaft and base assembly.....	.65
4287	Body—Connector body for dial lamp connector.....	.02	4286	Bushing—Bushing and ferrule insert for connector cap.....	.03
30883	Capacitor—300 mmfd. (C9).....	.35	4288	Cap—Pickup cable connector cap.....	.05
12835	Capacitor—1,100 mmfd. (C19).....	.25	31050	Crystal—Pickup crystal and needle screw.....	3.75
4838	Capacitor—.005 mfd., 1,000 V. (C18).....	.25	32227	Pickup arm and crystal complete—less mounting, Stock No. 31054.....	6.70
4858	Capacitor—.01 mfd., 500 V. (C17).....	.25	12539	Screw—Pickup needle screw.....	.15
14393	Capacitor—.01 mfd., 300 V. (C12, C8, C10).....	.30	MOTOR ASSEMBLIES		
11315	Capacitor—.015 mfd., 400 V. (C11).....	.20	9841	Motor—110-volt, 60-cycle—complete with mounting (M1).....	6.50
30938	Capacitor—.025 mfd. (C15).....	.20	31034	Motor—110-volt, 60-cycle—less mounting (M1).....	8.90
30889	Capacitor—.01 mfd., 200 V. (C4).....	.30	31037	Rotor—Turntable and rotor lamination assembly—complete for 50-cycle operation.....	4.55
4839	Capacitor—.01 mfd., 400 V. (C12).....	.30	31036	Rotor—Turntable and rotor lamination assembly—complete for 60-cycle operation.....	4.55
12484	Capacitor—.025 mfd., 350 V. (C20, C16).....	.30	31043	Stator—Stator assembly—complete with coils and laminations for 50-cycle operation.....	2.50
31323	Capacitor—.18 mfd., 150 V. (C13, C14).....	.65	31042	Stator—Stator assembly—comprising coils and laminations for 60-cycle operation.....	2.50
30875	Coil—Antenna coil (L1, L2).....	1.10	SPEAKER ASSEMBLIES (84202-3)		
30876	Coil—R.F. coil (L3, L4).....	1.10	31202	Cone—Speaker cone (L5).....	1.30
31195	Condenser—2-gang variable tuning condenser (C2, C3, C5, C6).....	2.50	31201	Speaker—Speaker complete.....	3.95
14086	Cord—Power cord.....	.65	31203	Transformer—Output transformer (T1).....	1.00
32634	Cord—Variable condenser drive cord.....	.10	MISCELLANEOUS ASSEMBLIES		
31200	Dial—Station selector dial scale and plate assembly.....	.40	31205	Crystal—Station selector dial crystal.....	.20
4286	Ferrule—Ferrule for dial lamp connector.....	.03	30883	Knob—Station selector or power switch knob.....	.15
4340	Lamp—Pilot lamp.....	.17	31054	Mounting—Pickup arm rubber mounting, washer, and nut.....	.15
31193	Lead—Antenna lead.....	.50	30870	Plug—2-contact male plug for motor leads.....	.35
30868	Plug—2-contact female motor cable plug.....	.35	14267	Screw—Chassis mounting screw.....	.04
31196	Pointer—Station selector indicator pointer.....	.25	31053	Screw—Motor mounting screw assembly complete.....	.30
31198	Resistor—Ballast resistor tube (R7, R8).....	.80			
30880	Resistor—150 ohms, 1/2 watt (R6).....	.20			
13734	Resistor—120,000 ohms, 1/2 watt (R10).....	.20			
12285	Resistor—470,000 ohms, 1/2 watt (R4).....	.20			
13730	Resistor—1 megohm, 1/2 watt (R5).....	.20			
12679	Resistor—2.2 megohms, 1/2 watt (R3).....	.20			
12601	Resistor—10 megohms, 1/2 watt (R9).....	.20			
31197	Shaft—Indicator pointer shaft and pulley.....	.10			
31251	Socket—8-contact tube socket.....	.25			
14171	Socket—Lamp socket assembly.....	.40			
4284	Spring—Spring for dial lamp connector.....	.03			
31096	Switch—Phono. switch (S2).....	1.20			
31198	Tube—Ballast resistor tube (R7, R8).....	.80			
32209	Volume Control—(Phono.) (R11).....	1.00			
31966	Volume Control—Volume control power switch (R1, S1).....	1.50			
4285	Washer—Insulating washer for dial lamp connector.....	.02			

ALL PRICES ARE SUBJECT TO CHANGE OR WITHDRAWAL WITHOUT NOTICE.

Schematic, Voltage, Socket
Trimmers, Alignment, Data

RCA MFG. CO., INC.

MODELS 96X1 to 96X4 inc.
Chassis RC-400
96X11 to 96X14 inc.
Chassis RC-400A
96X-11 96X-12 96X-13 96X-14
Walnut Finish Black Finish Walnut and Ivory Finish
Walnut Finish Black Finish Walnut and Ivory Finish

Without Push-Button Tuning
96X-1 96X-2 96X-3 96X-4
Walnut Finish Black Finish Walnut and Ivory Finish

Electrical and Mechanical Specifications

FREQUENCY RANGES

"Standard Broadcast" (A) (left) 540-1,720 kc
"Short Wave" (C) (right) 5,800-18,000 kc

TUBE COMPLEMENT

- (1) RCA-6K8 1st. Detector—Oscillator
 - (2) RCA-6SK7 I-F Amplifier
 - (3) RCA-6SQ7 2nd. Det., 1st A-F, and A.V.C.
 - (4) RCA-25L6 Power Output
 - (5) RCA-25Z6G Half-Wave Rectifier
 - (6) RCA-BK-49B Ballast
- Pilot Lamp Mazda No. 47, 6.3 volts, 0.15 amp.

POWER SUPPLY RATINGS

A-C Rating 105-125 volts, 50-60 cycle, 50 watts
D-C Rating 105-125 volts, direct current, 50 watts

INTERMEDIATE FREQUENCY

..... 455 kc

POWER OUTPUT (125 volts, 60 cycle supply)

Undistorted 1.5 watts—Maximum 2.0 watts

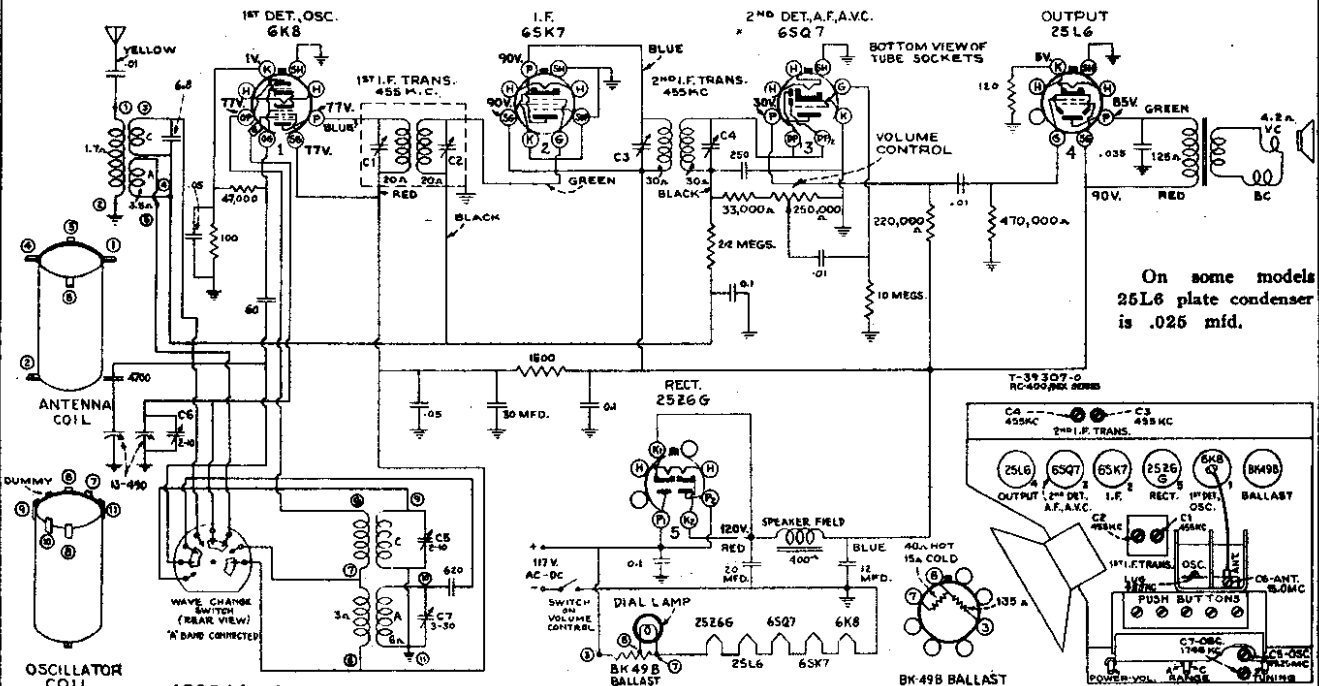
LOUDSPEAKER Type 84202-3 5-inch Electrodynamic

Cabinet Dimensions H. 7 1/2 inches W. 11 1/2 inches D. 7 1/2 inches

Weights (net) 96X1, 2, 3, 4—8 1/2 lbs. .. 96X11, 12, 13, 14—9 1/2 lbs.

Tuning Drive Ratio 8 to 1

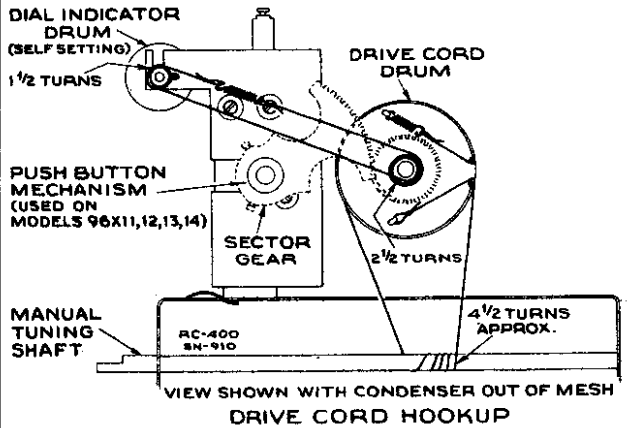
25 Cycle Operation.—For 25 cycle operation change filter condensers to 40-40 mfd.



Alignment Procedure

Output Meter Alignment.—Connect the meter across the voice coil, and turn the receiver volume control to maximum.
Test-Oscillator.—Connect the low side of the test-oscillator to the receiver chassis, through a .01 mfd. capacitor, and keep the output as low as possible.
Dial Setting.—To set dial indicator drum, turn tuning condensers fully clockwise and then counter-clockwise.
Push-button Adjustments.—Remove bakelite button and loosen screw two turns with a screwdriver or coin. Tune in the desired station by means of the right-hand control knob. Press push lever down as far as it will go and tighten screw. Release lever and put on push-button.

Steps	Connect the high side of test-oscillator to—	Tune test-osc. to—	Turn radio dial to—	Adjust the following for max. peak output—
1	Tuning condenser stator (osc.) in series with .01 mfd.†	455 kc	Quiet point between 650-750 kc	C1, C2, C3, C4 (1st and 2nd I-F transformer)
2	Antenna lead (yellow) in series with 400 ohms	19.25 mc	Full clockwise (out of mesh) "C" band	C5* (osc.)
3	Same as step 2	15.0 mc	15.0 mc Test oscillator signal	C6** (ant.) See Note No. 1
4	Antenna lead in series with 200 mmf condenser	1,745 kc	Full clockwise (out of mesh) "A" band	C7 (osc.)



* Use minimum capacity peak if two peaks can be obtained.
** Rock gang slightly and check to determine that C5 has been adjusted to the correct peak by tuning to approximately 14.09 mc, where a weaker signal should be received.
† Make test oscillator connection to lug on tuning condenser stator (oscillator section) in series with .01 mfd. condenser.

Note No. 1.—Accurately tune receiver to the 15.0 mc test oscillator signal. This signal will appear twice (14.09 and 15.0 mc) as dial is turned. Use the higher frequency setting of the tuning condensers (gang furthest out of mesh).

Note No. 2.—Oscillator tracks 455 kc above signal on all bands.