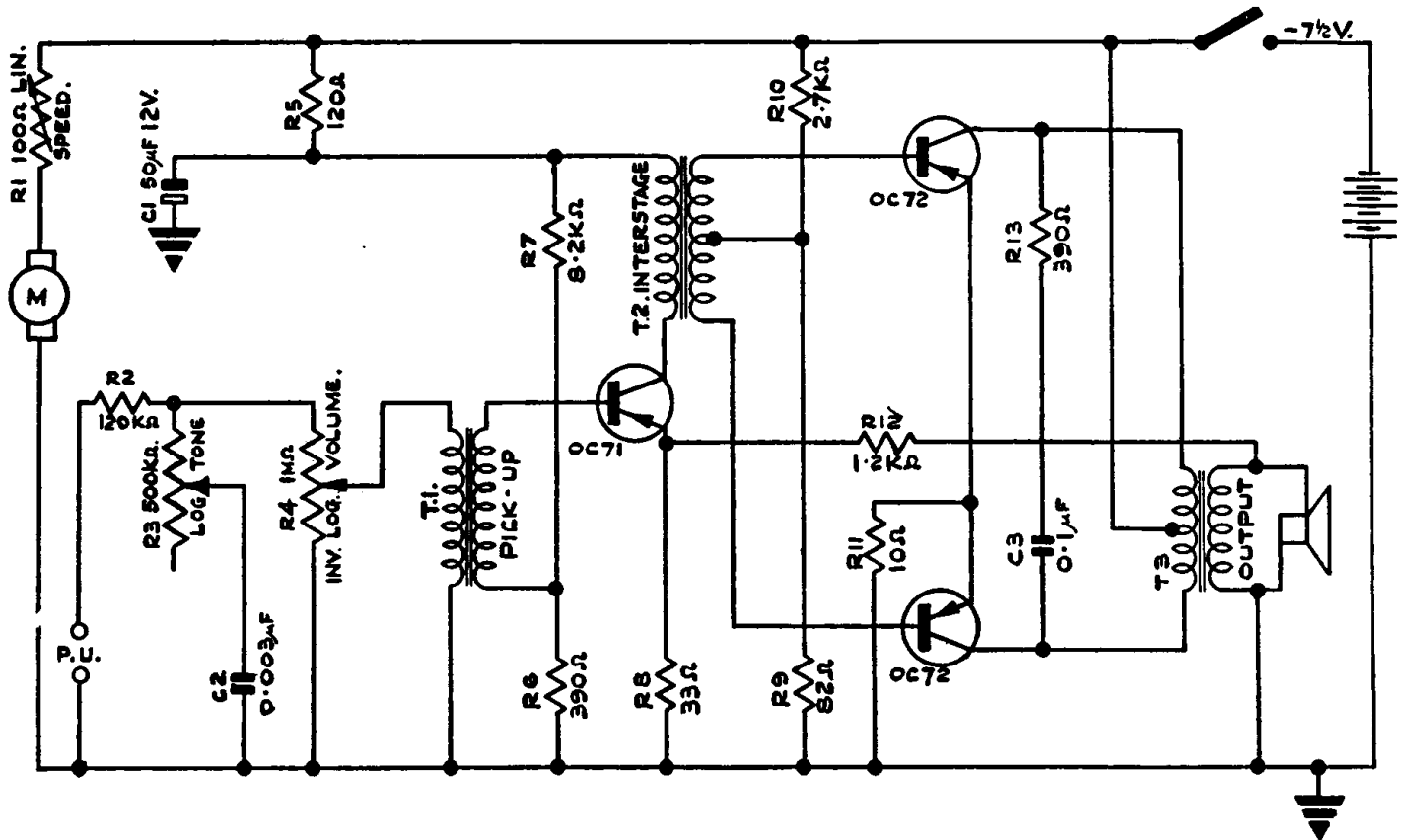


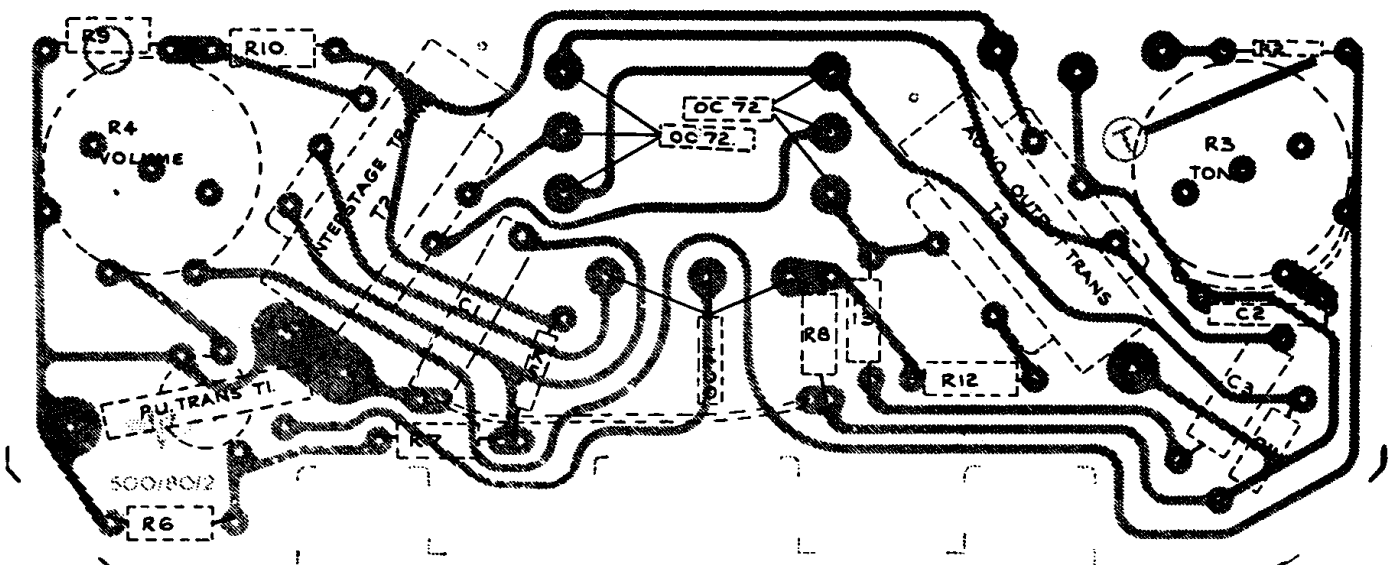
**General Description:** Three-transistor, printed-circuit, all-dry battery portable gramophone for 7-in., 45-r.p.m. records with a Garrard BA1 turntable unit and crystal pick-up.

**Power Supply:** 7½-volt dry battery. Consumption: motor approx. 70 mA. at 4½ volts (315 mW.); amplifier approx. 16 mA. at 7½ volts with no signal (120 mW.). Amplifier designed to operate down to 5 volts.

**Transistor Complement:** OC71, driver; OC72 (two) output.



CIRCUIT DIAGRAM—KOLSTER-BRANDES MODEL NRPI I



LAY-OUT OF PRINTED WIRING PANEL