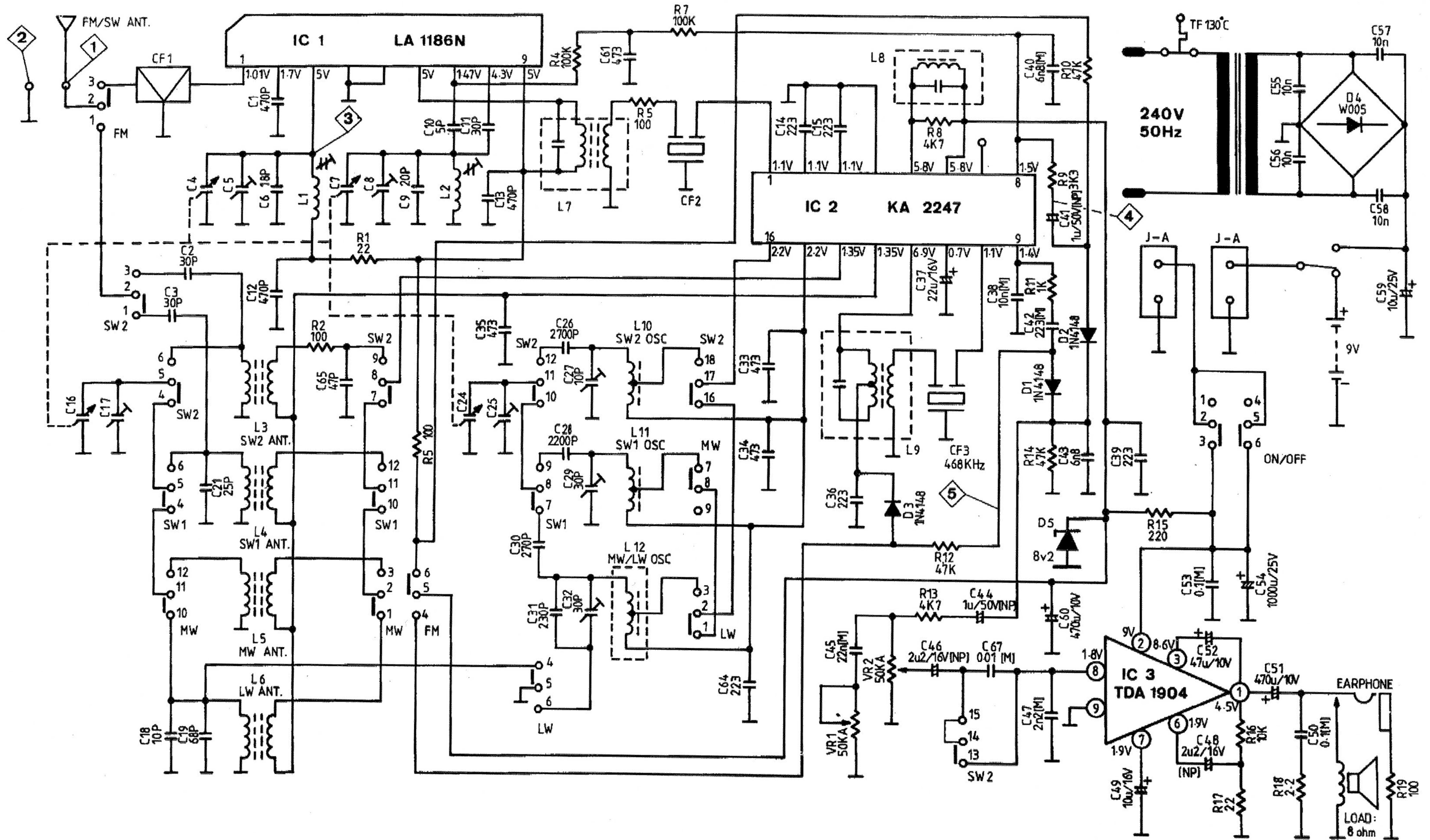


CIRCUIT DIAGRAM



MODEL: R 727