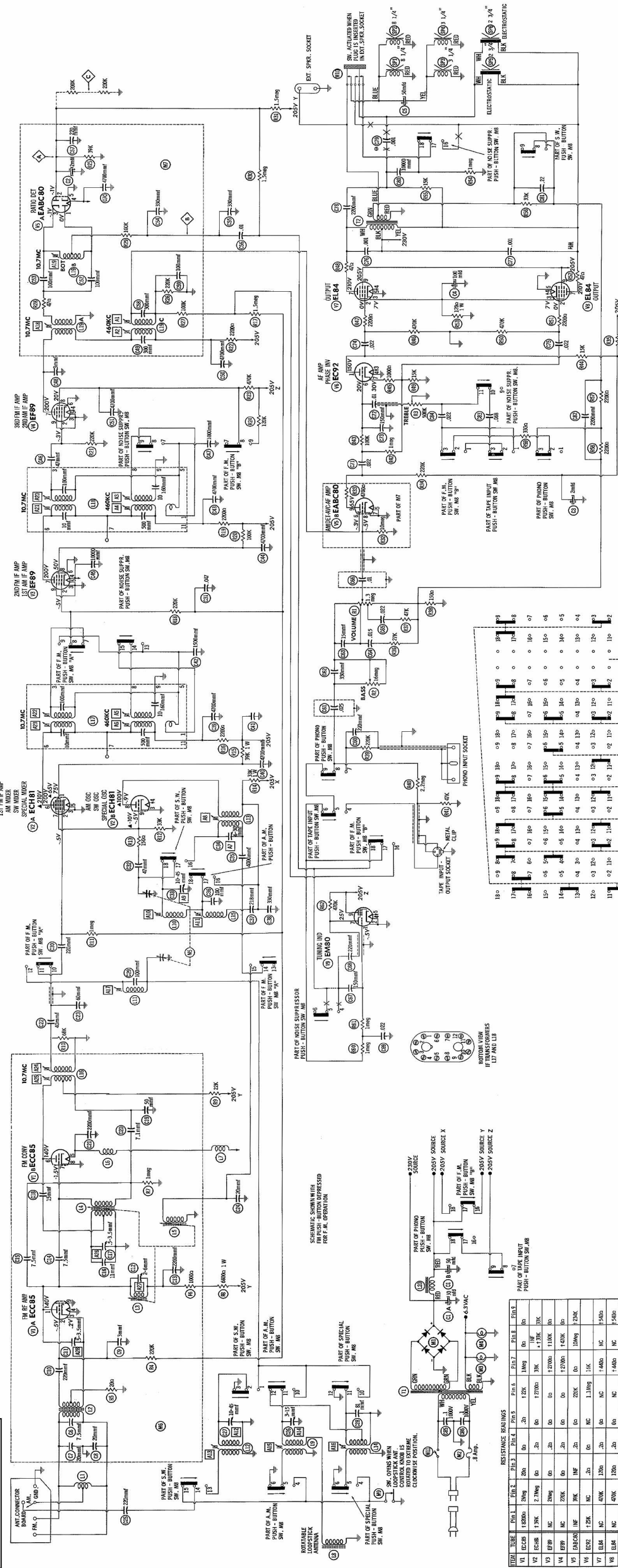


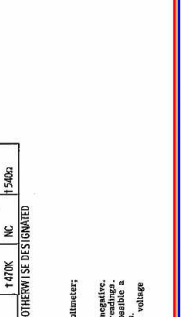
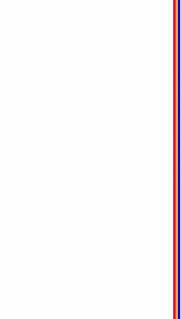
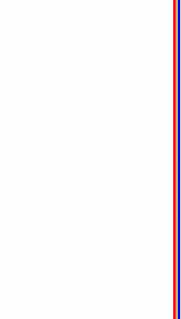
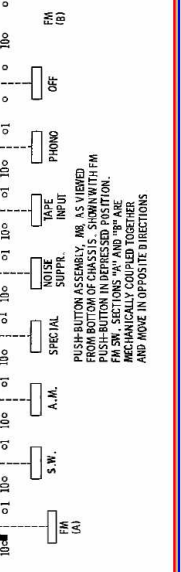
# TELEFUNKEN OPUS 6



**RESISTANCE READINGS**

TUBE	Pin. 1	Pin. 2	Pin. 3	Pin. 4	Pin. 5	Pin. 6	Pin. 7	Pin. 8	Pin. 9
V1	1.800Ω	20Ω	20Ω	1.2K	1MΩ	0Ω	0Ω	0Ω	0Ω
V2	6X8	1.9K	2.7MΩ	0Ω	1.700Ω	3K	1.3K	33K	0Ω
V3	6F8	0Ω	20Ω	0Ω	0Ω	1.270Ω	1.10K	0Ω	0Ω
V4	6F9	0Ω	20Ω	0Ω	0Ω	0Ω	1.270Ω	1.40K	0Ω
V5	6AC6	0Ω	20Ω	0Ω	0Ω	20K	0Ω	10MΩ	2.2K
V6	6C2	1.2K	0Ω	0Ω	0Ω	0Ω	1.1MΩ	1K	0Ω
V7	6L8	0Ω	40K	120Ω	0Ω	0Ω	0Ω	1.40Ω	0Ω
V8	6L6	0Ω	40K	120Ω	0Ω	0Ω	0Ω	1.40Ω	0Ω
V9	6N6	2.8MΩ	0Ω	0Ω	0Ω	0Ω	0Ω	1.47K	0Ω

1. DC voltage measurements taken with vacuum tube voltmeter.  
 2. Socket connections are shown as bottom view.  
 3. Values in parentheses are for common resistors.  
 4. Values in parentheses are for common capacitors.  
 5. Nominal tolerance on component values as far as possible.  
 6. Values in parentheses are maximum, no signal applied (d.c. voltage measurements).



SCHEMATIC SHOWN WITH PUSH-BUTTONS DEPRESSED FOR F.M. OPERATION

ALL MEASUREMENTS TAKEN IN "FM" POSITION UNLESS OTHERWISE DESIGNATED