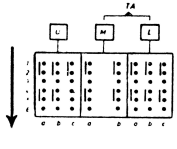
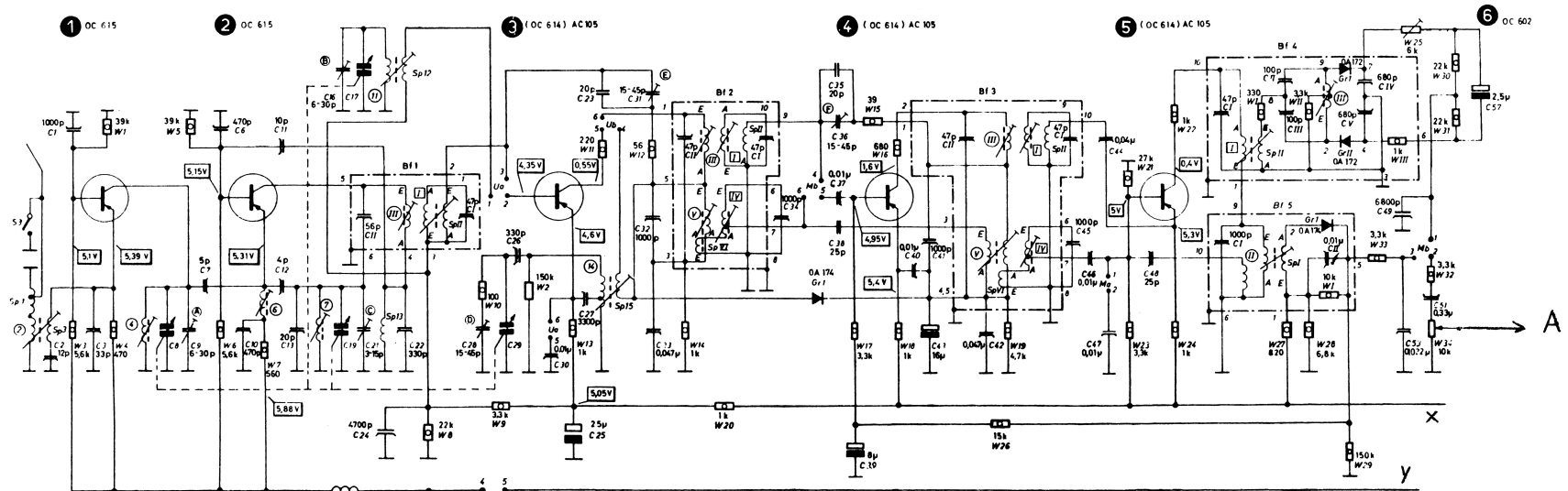
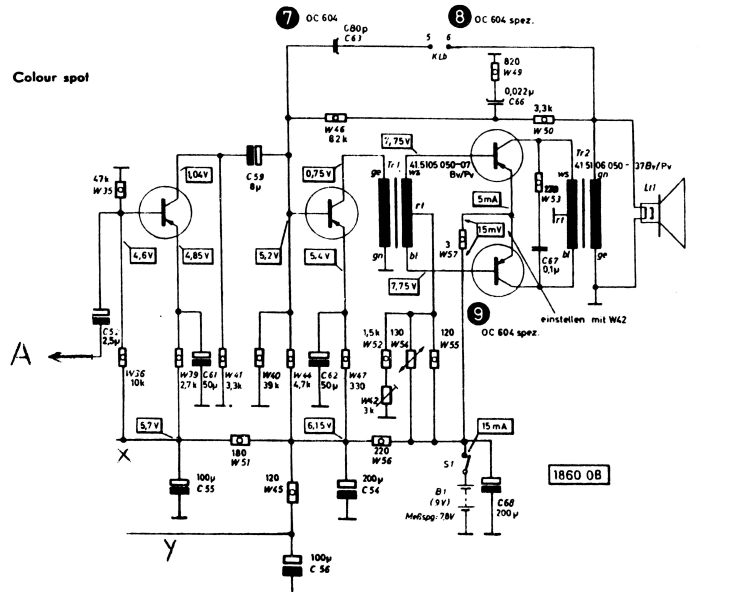


current and voltage figures for TELEFUNKEN transistor receiver Bajazzo 3991

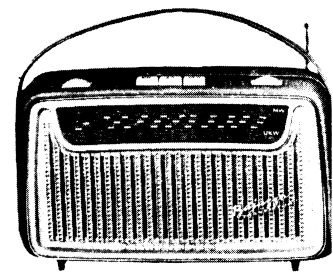


Pushbutton assembly is shown in neutral position. If one of the buttons is pressed the contact strip moves in direction of arrow.





Bajazzo-Transistor 3991



Specifications

Battery operation: 9 V, six 1.5 V cells, 1" \varnothing x 1⁷/₈", in series, resp. suitable storage cells (gastight "DEAC" nickel cadmium cells BD 1).

Current consumption: approx. 12 mA (rest current)

Playing time: with dry batteries, depending on type, approx. 250 hrs (with high power cells)

TELEFUNKEN transistors: OC 615, OC 615, AC 105 (OC 614), AC 105 (OC 614), AC 105 (OC 614), OC 602, OC 604, 2 x OC 604 spec.

Germanium diodes: 2 x OA 172, OA 174, OA 174

Wavebands: VHF-FM 87.5 – 100 mc
MW 510 – 1620 kc

Pushbuttons: MW, tone, VHF-FM

Sensitivity: MW, approx. 50 μ V/m

This refers to an audio output of 50 mW which corresponds to 0.45 V measured at voice coil of speaker

VHF-FM, for 1 V ratio detector voltage at charging capacitor of ratio detector, approx. 5 μ V.

(VHF-FM pointer setting, 94 mc).

These sensitivities refer to a signal-generator plate resistance of $R_i = 60 \Omega$

For connection of signal-generator and outputmeter for measuring ratio detector voltage, see alignment table.

VHF-FM radiation interference at 30 m distance at 2 to (2nd. harmonic), $> 30 \mu$ V/m (measured in accordance with German Post Office regulations).

Selectivity: IF, AM : at 460 kc and 9 kc detuning, 1:60

IF, FM : at 6.75 mc and 300 kc detuning, 1:200

Speaker: 1 PM, 5¹/₈ " x 3", voice coil impedance, 4 ohms.