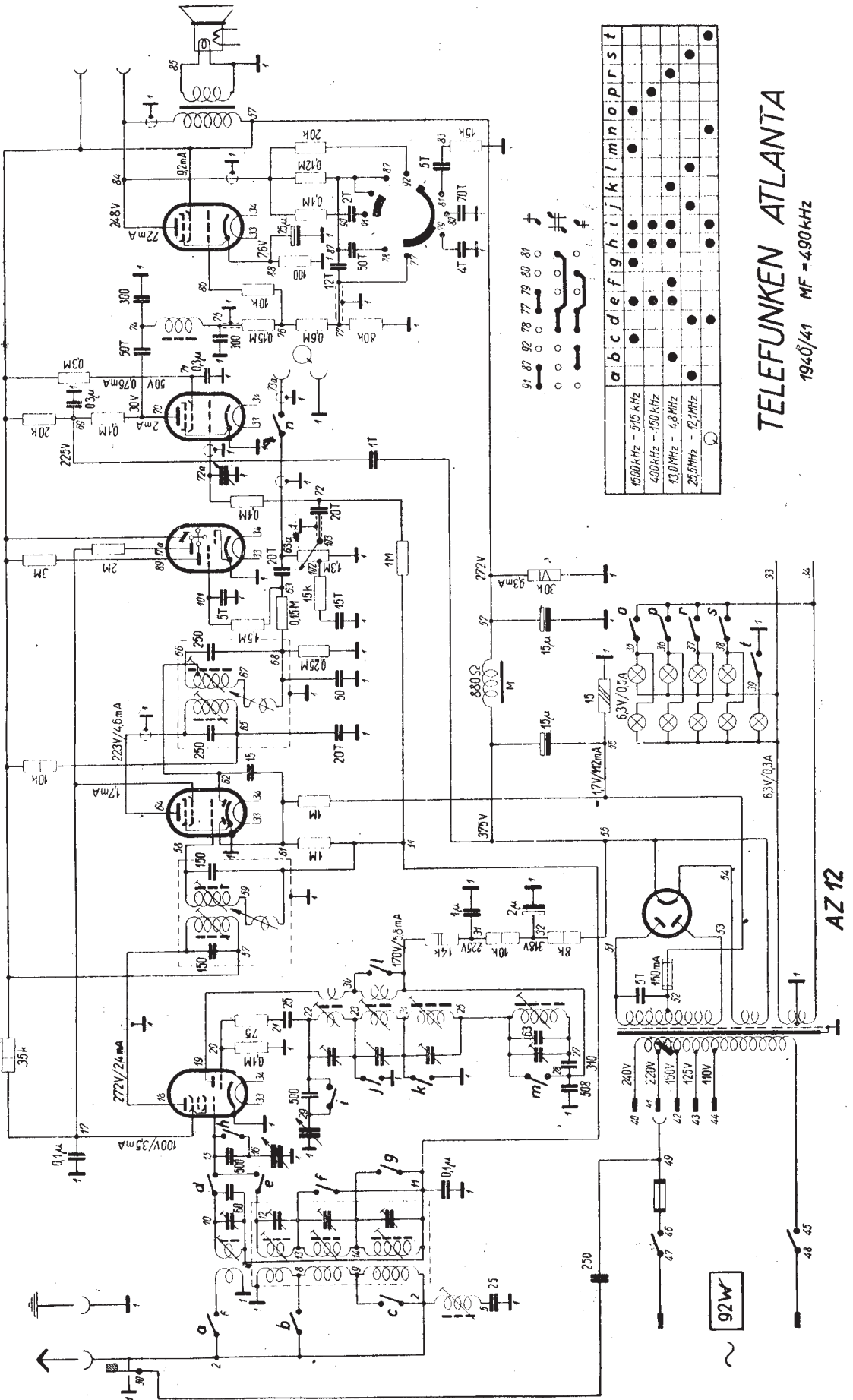


ECH 11 EBF 11 EM 11 EF 11 EL 12



a	b	c	d	e	f	g	h	i	j	k	l	m	n	o	p	r	s	t
●	●	●	●	●	●	●	●	●	●	●	●	●	●	●	●	●	●	●
○	○	○	○	○	○	○	○	○	○	○	○	○	○	○	○	○	○	○
●	●	●	●	●	●	●	●	●	●	●	●	●	●	●	●	●	●	●
○	○	○	○	○	○	○	○	○	○	○	○	○	○	○	○	○	○	○
●	●	●	●	●	●	●	●	●	●	●	●	●	●	●	●	●	●	●
○	○	○	○	○	○	○	○	○	○	○	○	○	○	○	○	○	○	○

TELEFUNKEN ATLANTA
1940/41 MF = 490 kHz