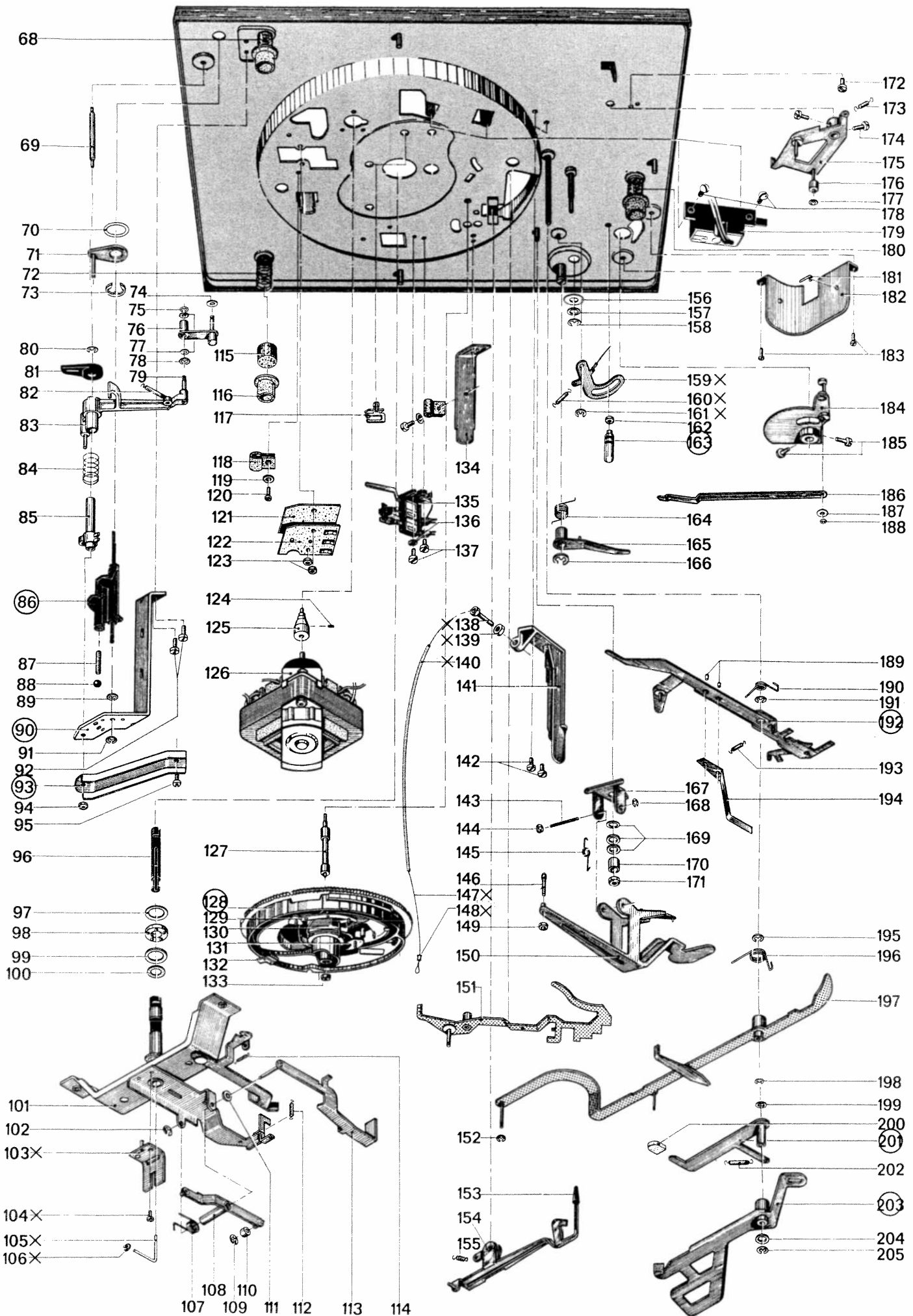


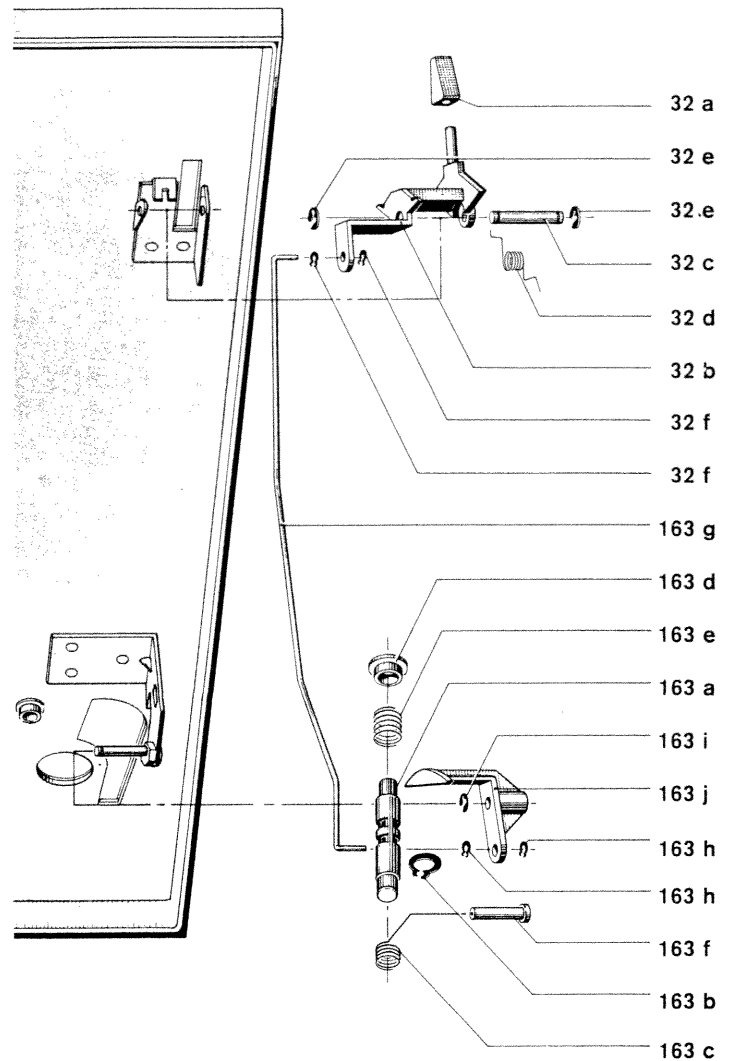


**Technical  
Information**

---

**Supplement  
Service Instructions  
Manual Turntable  
Automatic Turntable  
PE 2020  
for Model  
PE 2020 L**





○ = Changed parts of PE 2020 L

Item No.	Part No.	Description
7	15 0606 0	Chassis board assembly
8	15 3023 0	Knurled knob
86	15 1505 0	Speed selector cam subassembly
90	14 3047 0	Holding bracket
93	15 3160 0	Stiffening bracket
128	15 0616 0	Control cam assembly
163	15 1514 0	Cueing sleeve subassembly
192	14 1525 0	Ratchet lever subassembly
201	14 1533 0	Lock pawl
203	14 1534 0	Actuator subassembly

X = Parts missing in PE 2020 L

103 to 106	X = missing
138 to 140	X = missing
147 + 148	X = missing
159 to 161	X = missing

New parts in PE 2020 L

7 a	15 0606 1	Chassis board assembly
8 a	16 3009 0	Setting lever
8 b	01 513 0	Washer
32 a	15 3210 0	Knob for lift lever
32 b	15 3209 0	Lift lever
32 c	15 3085 0	Pivot pin for lift lever

32 d	00 387 0	Lift torsion spring
32 e	794 708	Circlip 2,3
32 f	794 557	Retainer for shafts without groove, 2,5
69 a	01 509 0	2 Spacers
86 a	16 1503 0	Speed selector cam subassembly
90 a	14 3047 0	Holding bracket (3 positions)
93 a	15 3160 0	Stiffening bracket
93 b	797 2506	Connector
93 c	791 637	Fillister head screw 3×15
128 a	15 0616 1	Control cam assembly
161 a	794 313	3 Washers for lift rod
163 a	15 1555 0	Cueing sleeve subassembly
163 b	794 558	Retainer
163 c	15 3218 0	Retaining spring
163 d	15 3117 0	Friction sleeve
163 e	00 388 0	Compression spring for cueing sleeve
163 f	15 3219 0	Retaining sleeve
163 g	15 1556 0	Push rod for lift subassembly
163 h	794 557	Retainer for shafts without groove, 2,5
163 i	794 708	Circlip 2,3
163 j	15 3216 0	Lift bracket
192 a	15 1551 0	Ratchet lever
201 a	15 1550 0	Lock pawl subassembly
203 a	15 1549 0	Actuator subassembly