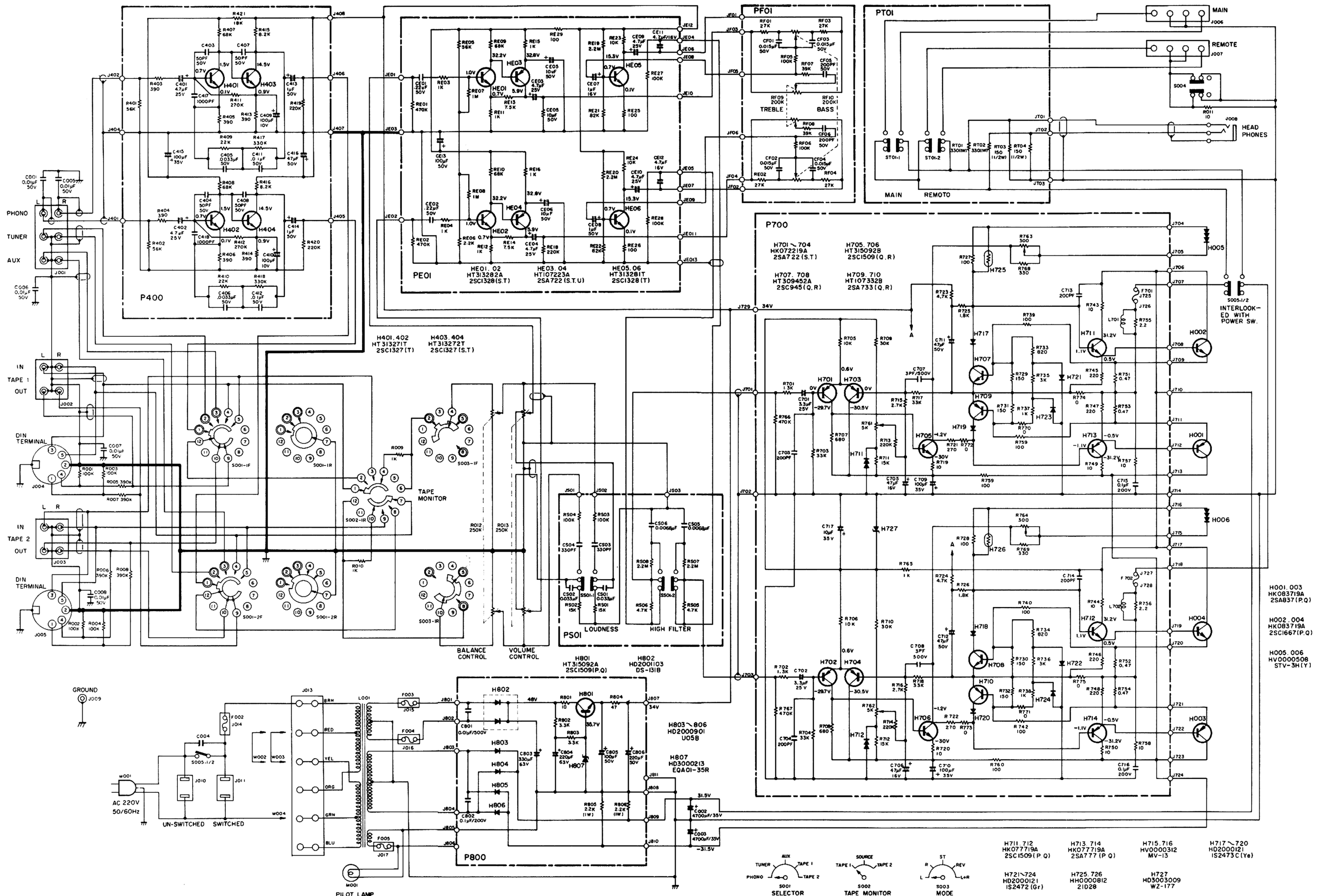


**HiFi ENGINE<sup>®</sup>**

For more Hi-Fi manuals and set-up information  
please visit [www.hifiengine.com](http://www.hifiengine.com)



# SCHEMATIC DIAGRAM FOR MODEL 1040



NOTE: This schematic diagram applied to units manufactured for the European market.

10-30-1974

2911856022