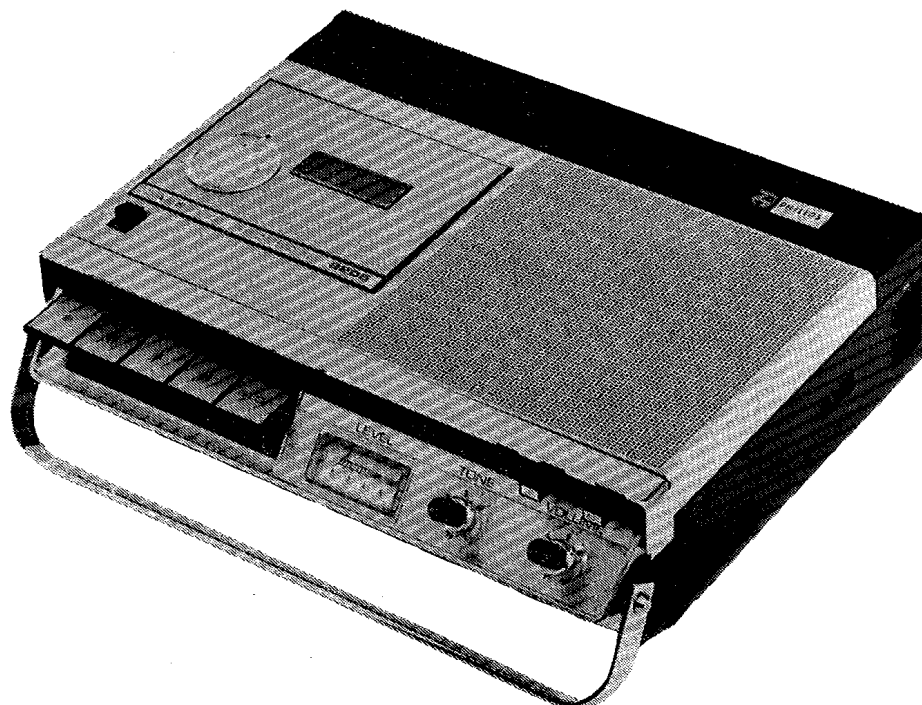


---

PROVISIONAL SERVICE INFORMATION  
FOR THE

**PHILIPS**  
**N2205**



**TAPE RECORDER**

---

**CES** ▶

**COMBINED ELECTRONIC SERVICES LIMITED**

QUEENSWAY · WADDON FACTORY ESTATE · CROYDON · CR9 · 4DR

TELEPHONES :

Spare part orders: 01-686 7311

General service enquiries: 01-688 7722

After business hours: Recorded messages on both lines

Telex 262308

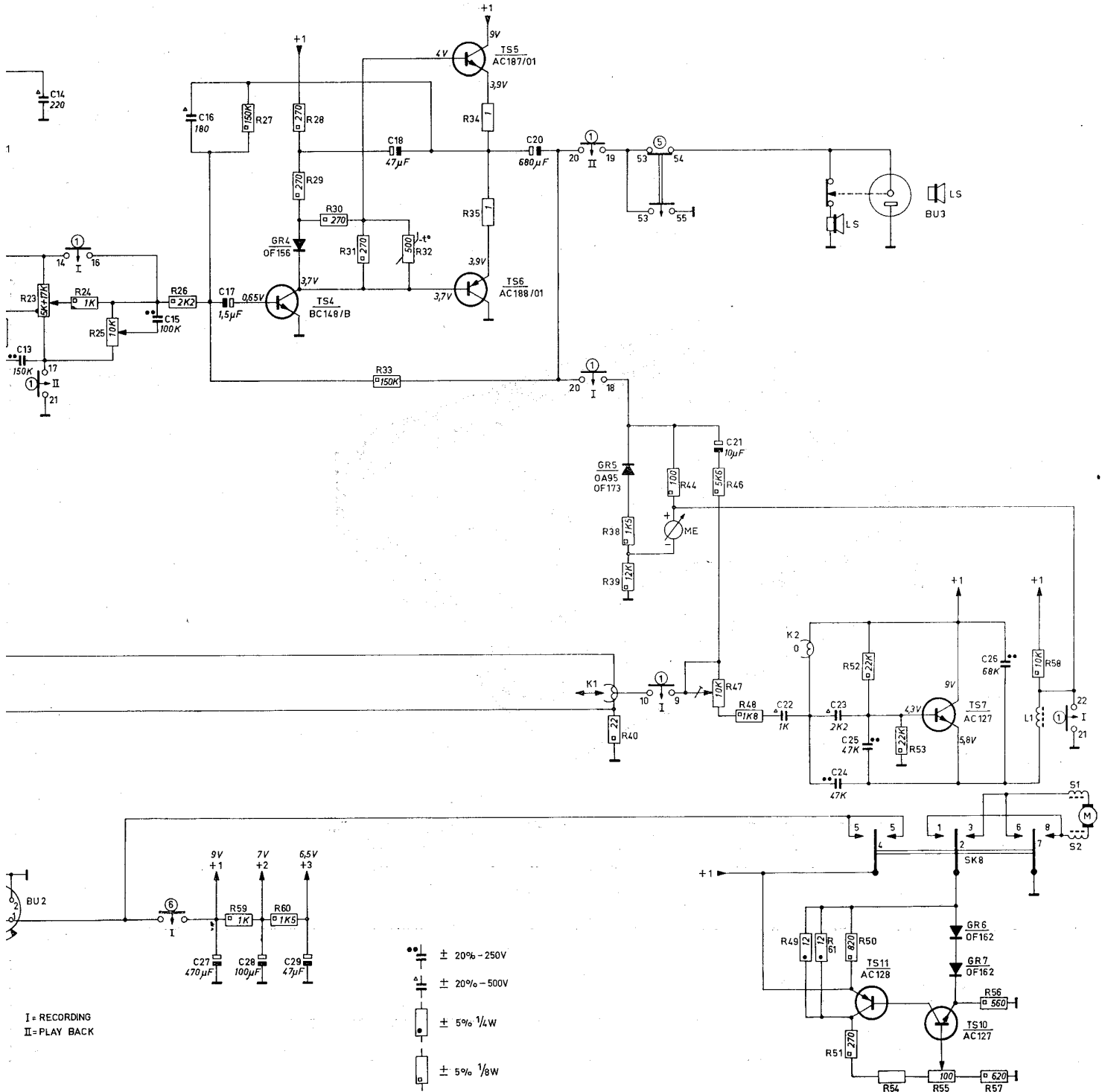
SEPTEMBER, 1968

(Please quote CES 706 when ordering further copies)

CES 706

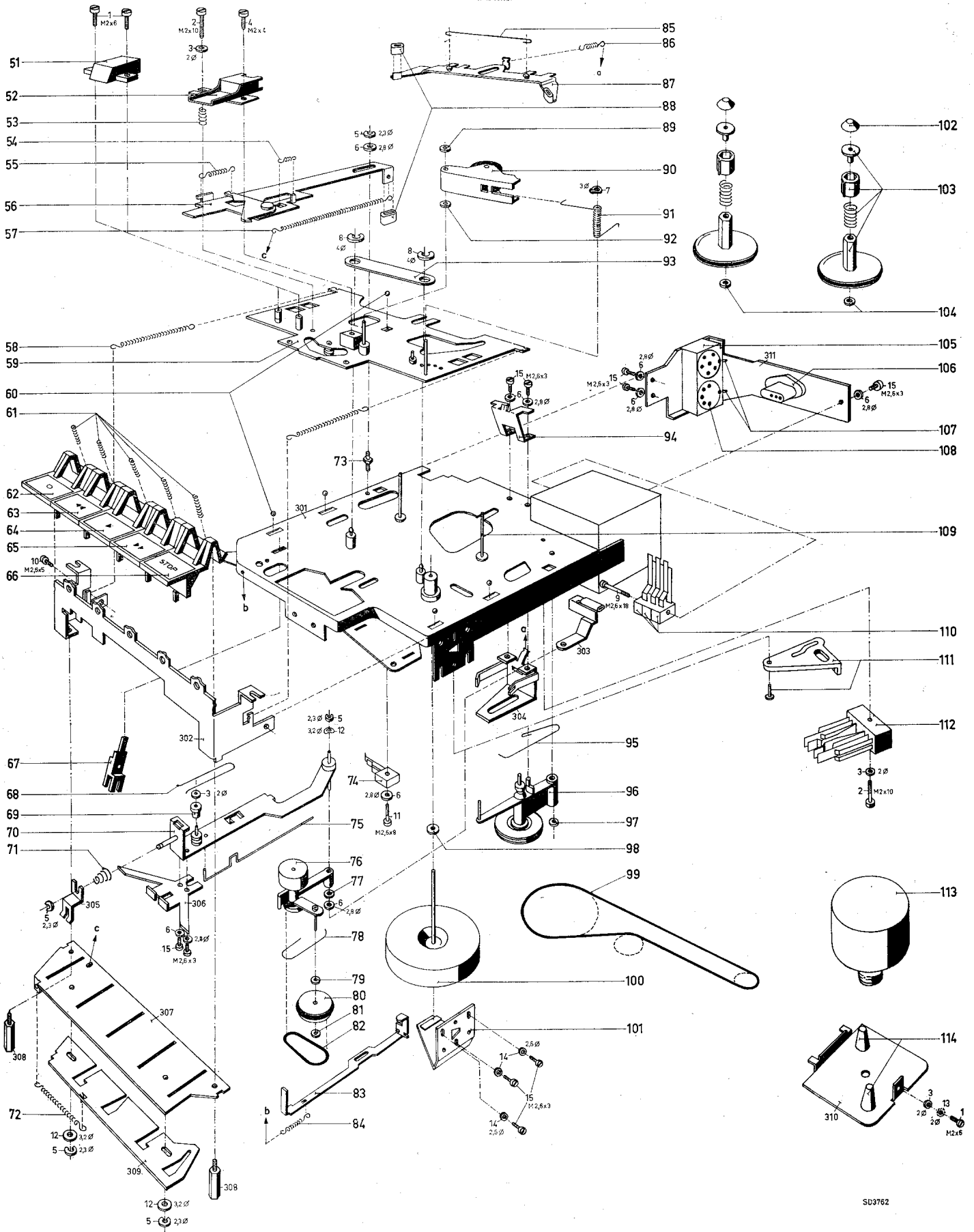


23,	24,	25,	26,	27, 29,	28,	29,	30, 31,	32,	33,	34,	35,	38, 39, 40,	44,	46,	47,	48,	49, 51, 50,	51, 52, 53, 54,	55,	56,	57,	58,	
13,	14,	15,	16,	17,	18,	19,	20,	21,	22,	23,	24,	25,	26,										

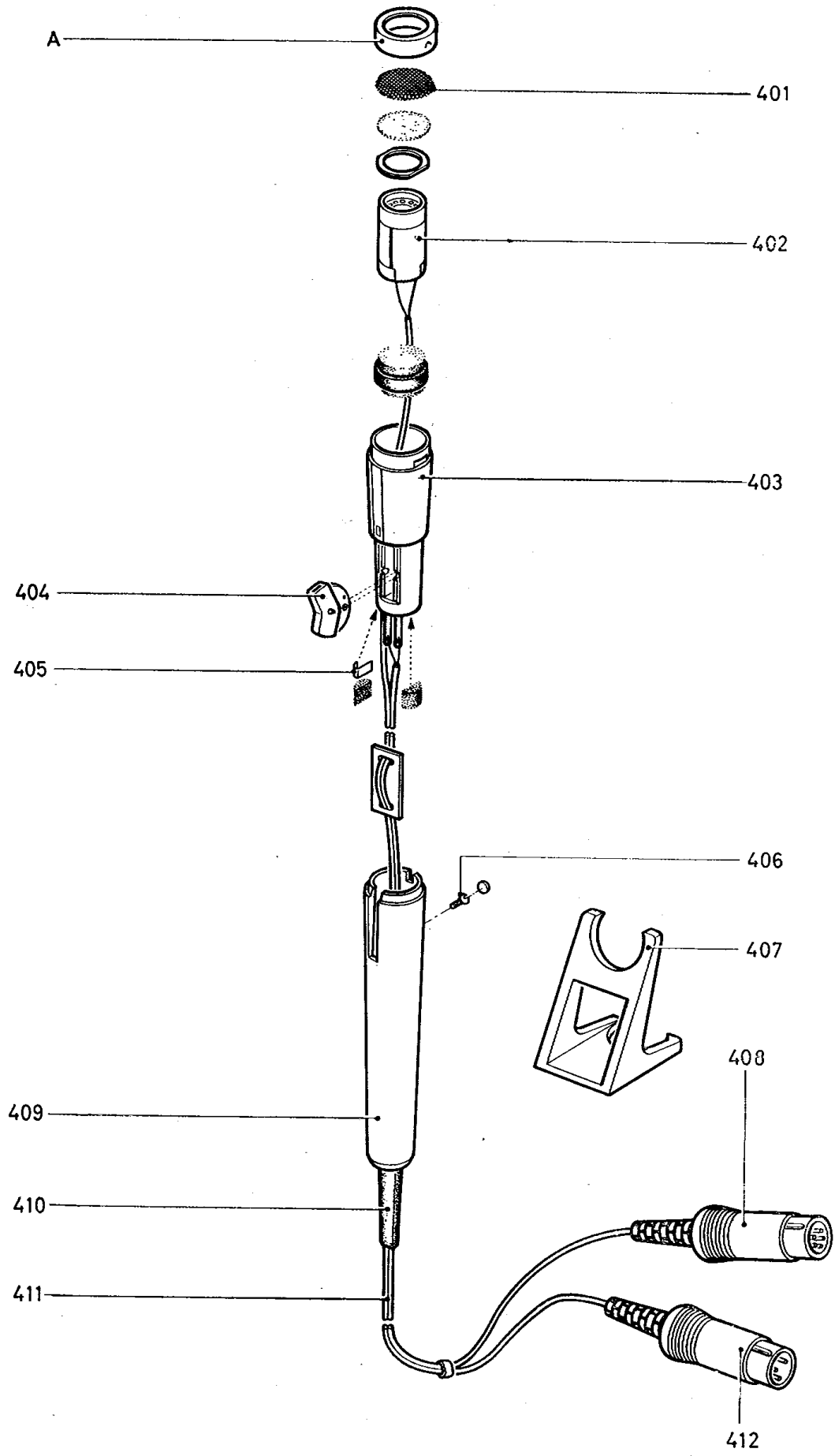


SD3761

CIRCUIT DIAGRAM



**EXPLODED VIEW**



SD3763

**N8206 MICROPHONE**