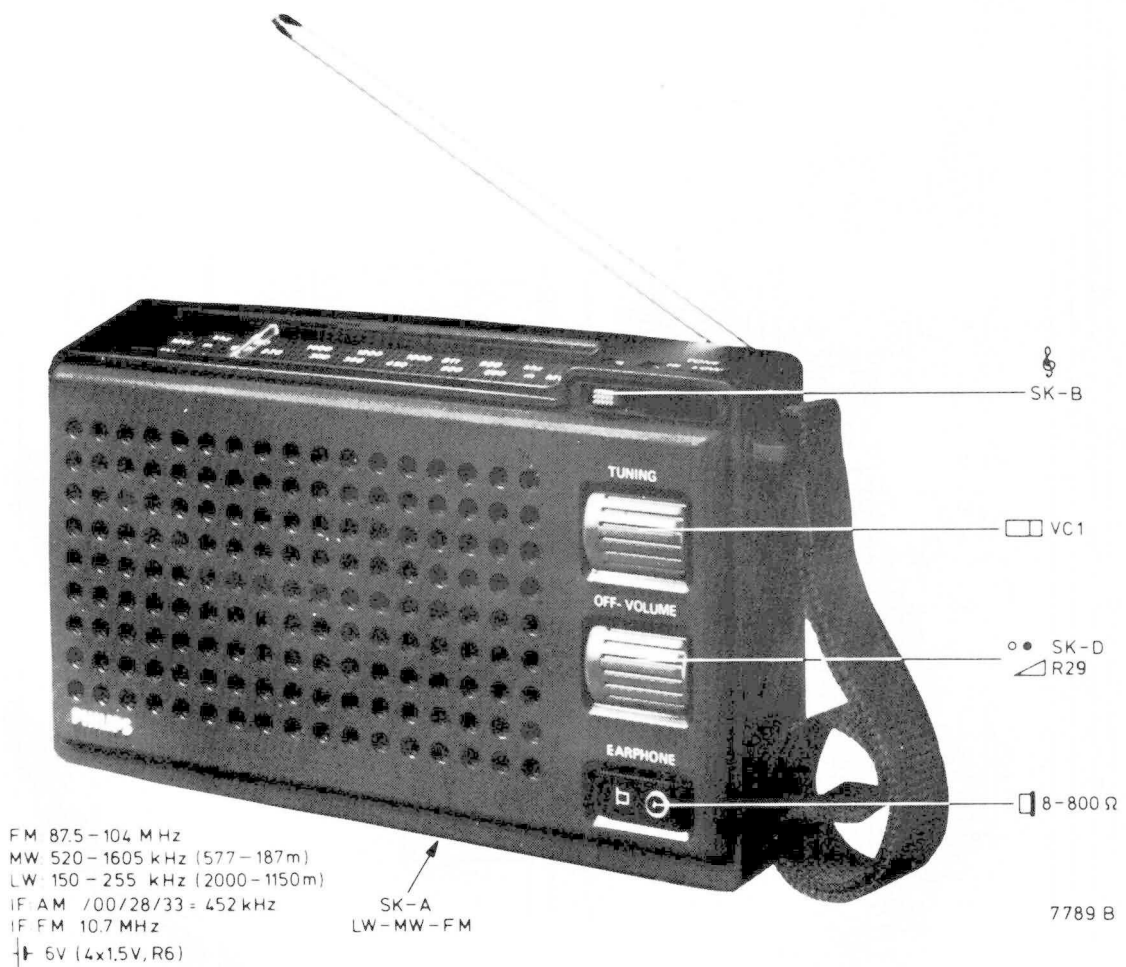


Service  
Service  
Service

# Service Manual



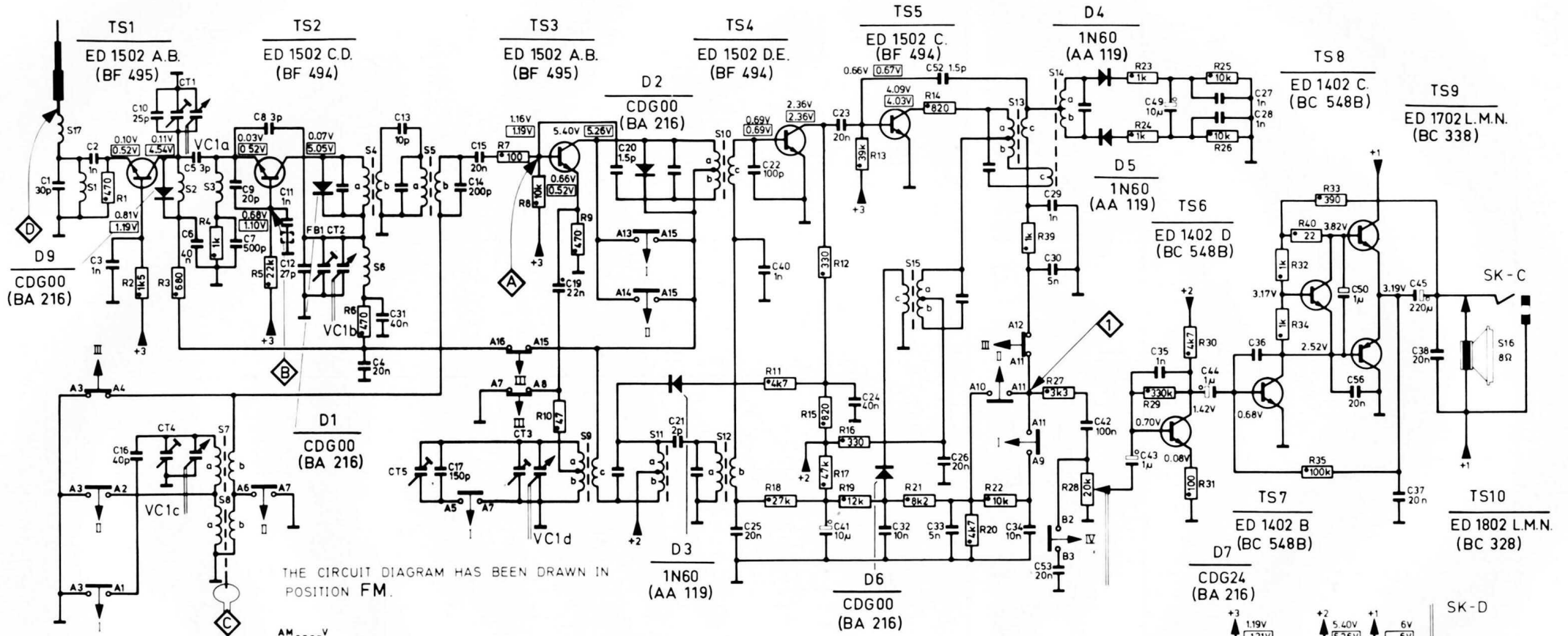
Documentation Technique Service Dokumentation Documentazione di Servizio Huolto-Ohje Manual de Servicio Manual de Servicio



Subject to modification  
 4822 725 11722  
 Printed in The Netherlands

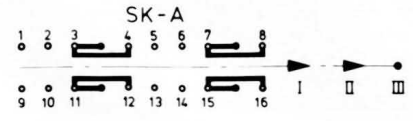
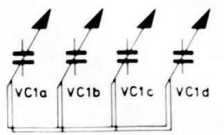
**PHILIPS**

S	17	1	2	3	7	8	4	6	5	9	11	10	12	15	52	13	14	16	S											
C	2	16	10	5	9	8	12	31	13	15	19	20	22	23	29	42	35	49	44	27	36	56	50	37	45	38	C			
C	1	3	6	7	11	4	4	17	14	15	21	25	40	41	24	32	26	33	34	30	53	43	39	46	28	47	48	54	57	C
R	1	4	7	9	11	12	15	16	13	14	22	39	23	30	25	32	40	33	28	27	28	34	37	35	R					
R	2	3	5	6	8	10	18	17	19	21	20	27	26	29	31	26	38	34	37	35	R									

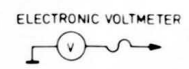


THE CIRCUIT DIAGRAM HAS BEEN DRAWN IN POSITION FM.

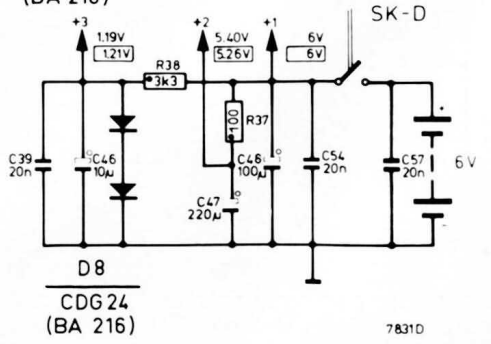
AM  $\dots$  V  
FM  $\dots$  V



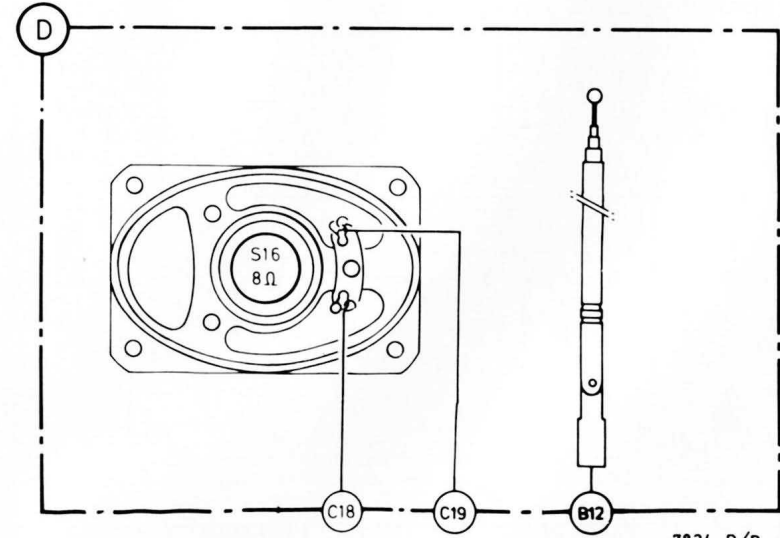
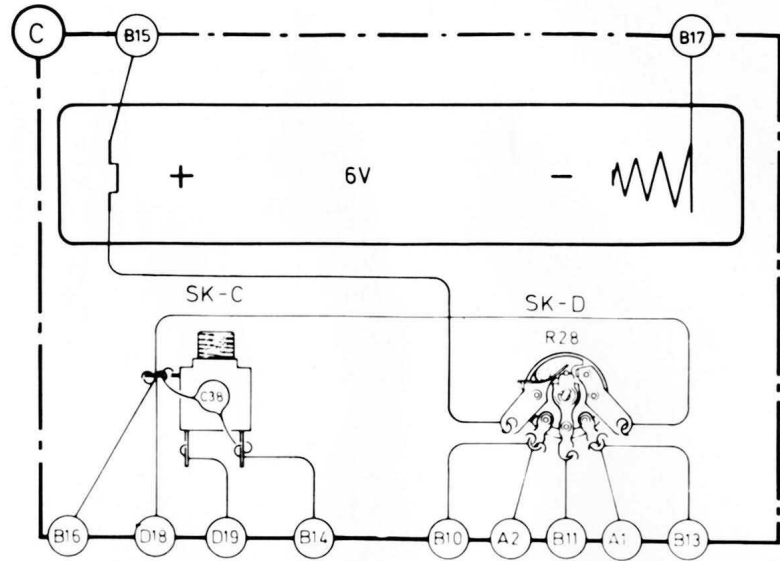
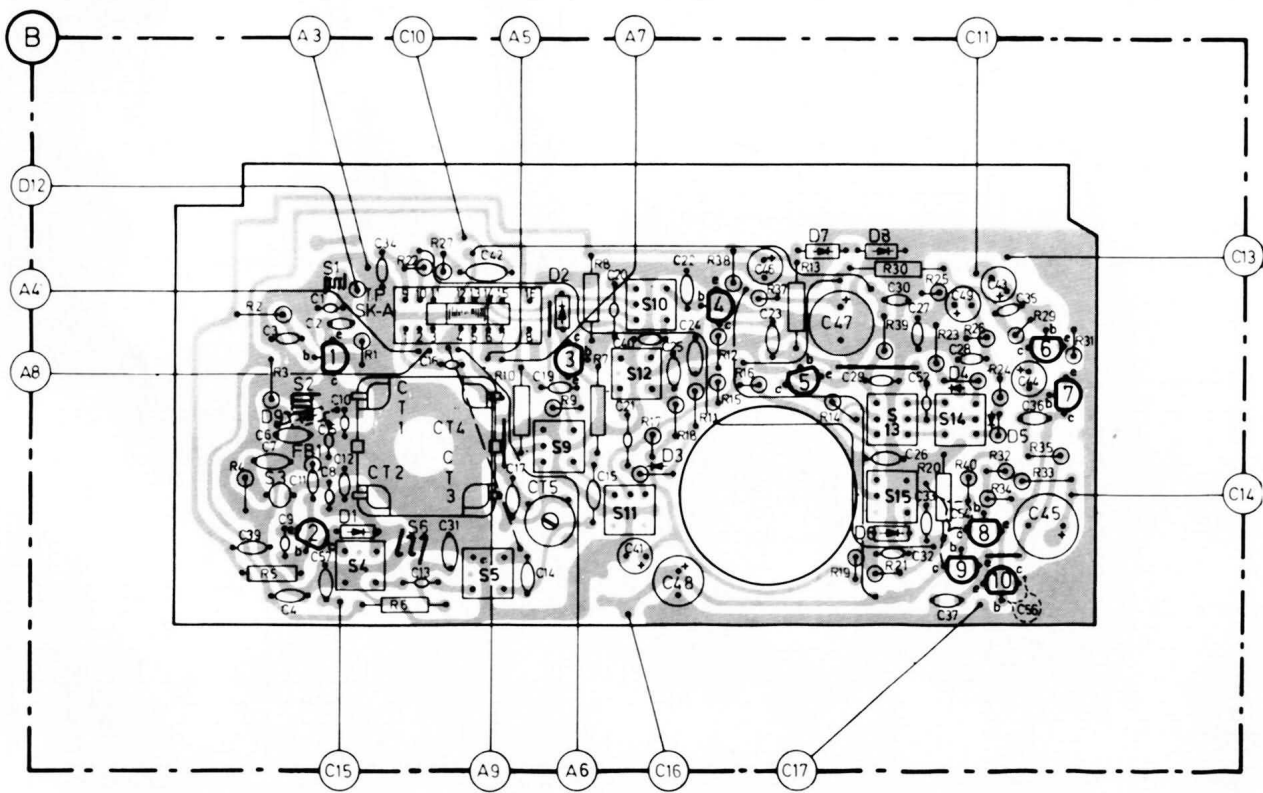
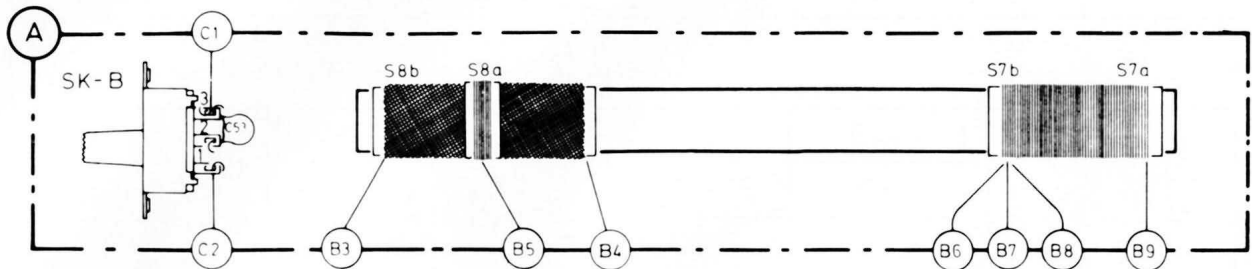
- CARBON RESISTOR E12 SERIES 0.25W 1M $\Omega$  5%
- PLATE CERAMIC CAPACITOR
- POLYESTER CAPACITOR
- MINIATURE ELECTROLYTIC CAPACITOR



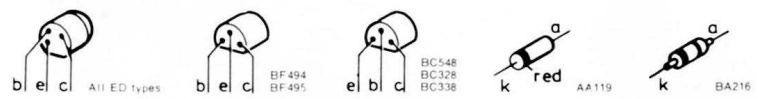
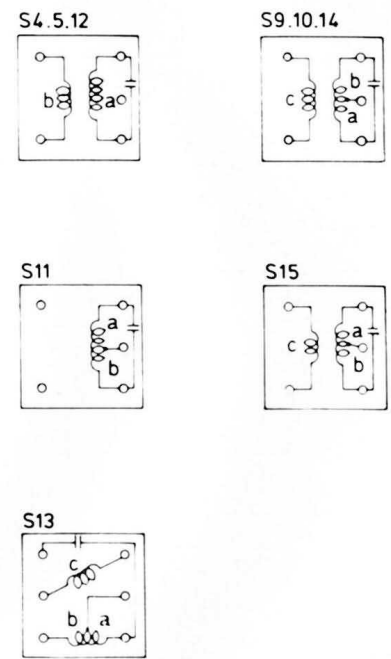
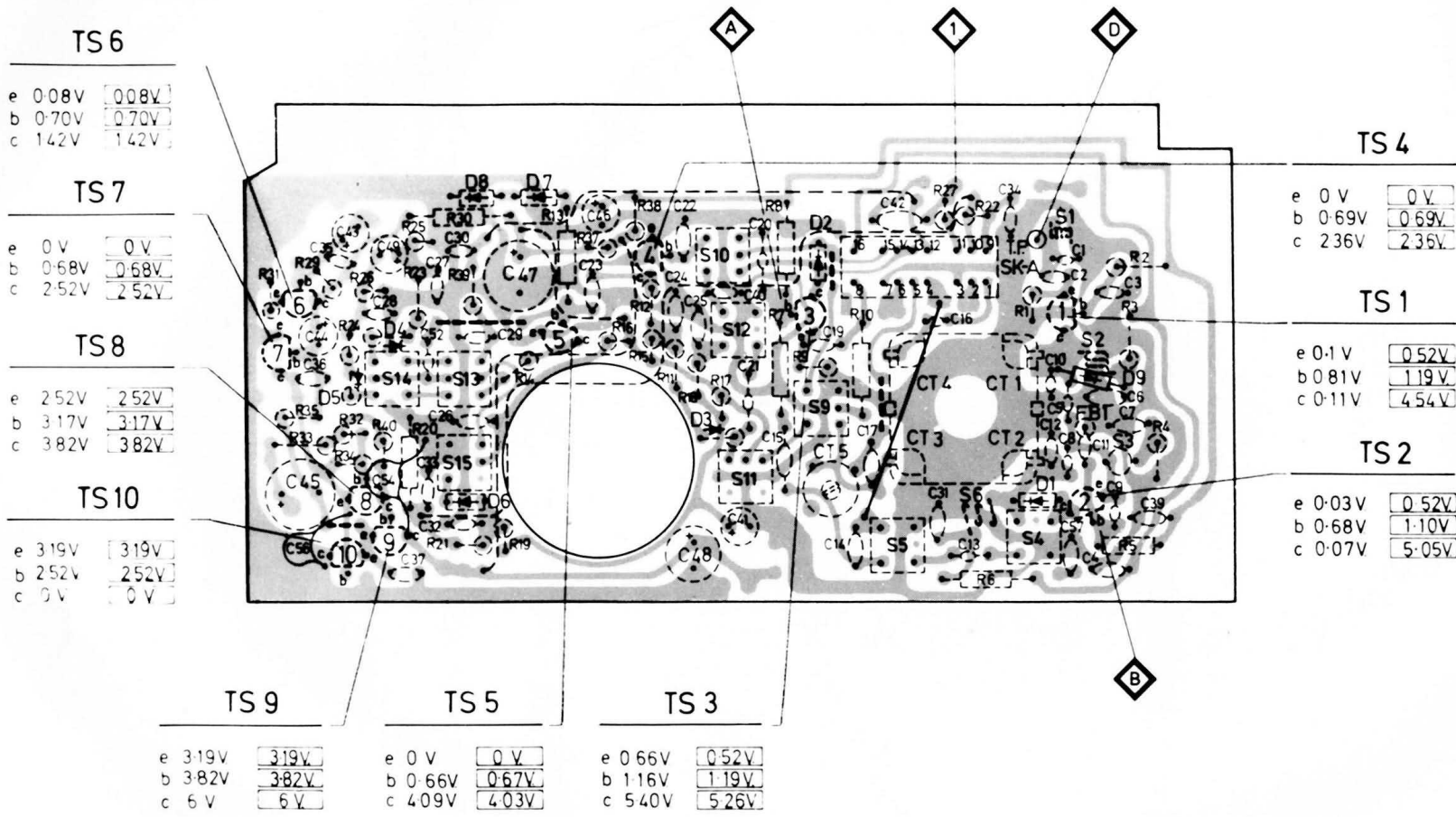
- I = LW
- II = AM
- III = FM
- IV = TONE







S	3	2	1	4	6	8b	5	8a	9	12	11	10	13	15	14	7a	16	38	10									
C	53	3	6	11	2	1	8	10	34	16	42	19	15	20	40	25	22	46	47	29	30	27	33	49	43	44	45	
C	39	7	9	4	38	5	57	12	13	31	17	14	21	41	48	24	23	54	26	32	52	37	28	35	36	56		
R	2	3		1	22	27			9	8	17	11	12	38	37	13	39	30	25	26	32	24	35					28
R	4	5		6		10			7	28	18	15	16	14	19	21	23	20	40	34	29	33	31					



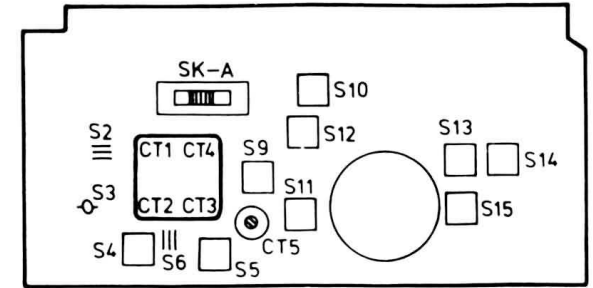
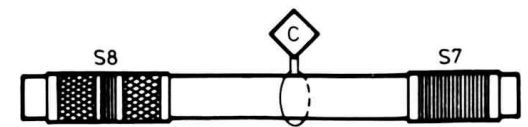
S		14	13	15					10	12	11	9	5	4	2	3	S											
C	54	44	35	28	37	33	32	30	29	23	22	48	41	40	17	42	31	34	12	4	57	6	3	C				
C	45	56	36	43	49	52	27	26	47	46	24	25	21	20	15	19	14	16	13	10	12	5	11	8	97	39	C	
R	31	35	29	24	26	25	30	39		37	38	18	17	8	9		27	22						2	3	R		
R		33		34	32	40	20	23	21	19	14	13	16	12	15	11	7	10					6	1		5	4	R



7835C

Wave range SK....	Signal to 		Var.Cap. 	Adjust 	Indication 
MW(520-1605 KHz)	1 Via 20nF	A	Min. Cap	S15	1 max.
				S12	
				S11	
	512 KHz	C	Max. Cap	S 9	
	1635 KHz		Min. Cap	CT3	
580 KHz	Tune-in		S7a,b		
1400 KHz			CT4		
LW(150-255 KHz)	147 KHz	C	Max. Cap	CT5	1 max.
	200 KHz		Tune-in	S8a,b	
FM(87,5-104 MHz)	10,7 MHz	B	Min. Cap	S13	1 max.
				S10	
				S5	
				S4	
				S14	
	86,5 MHz		Max. Cap	S6	
	105 MHz	D	Min. Cap	CT2	1 max.
90 MHz	Tune-in		S2		
103 MHz			CT1		

Repeat - Herhalen - Répéter - Wiederholen - Recominciare  
 Repetera - Gentage - Gjentagelse - Toista



7833A

1 AM-IF /00/28/33: 452 kHz  
 /15: 470 kHz  
 /22: 460 kHz

CS 54567