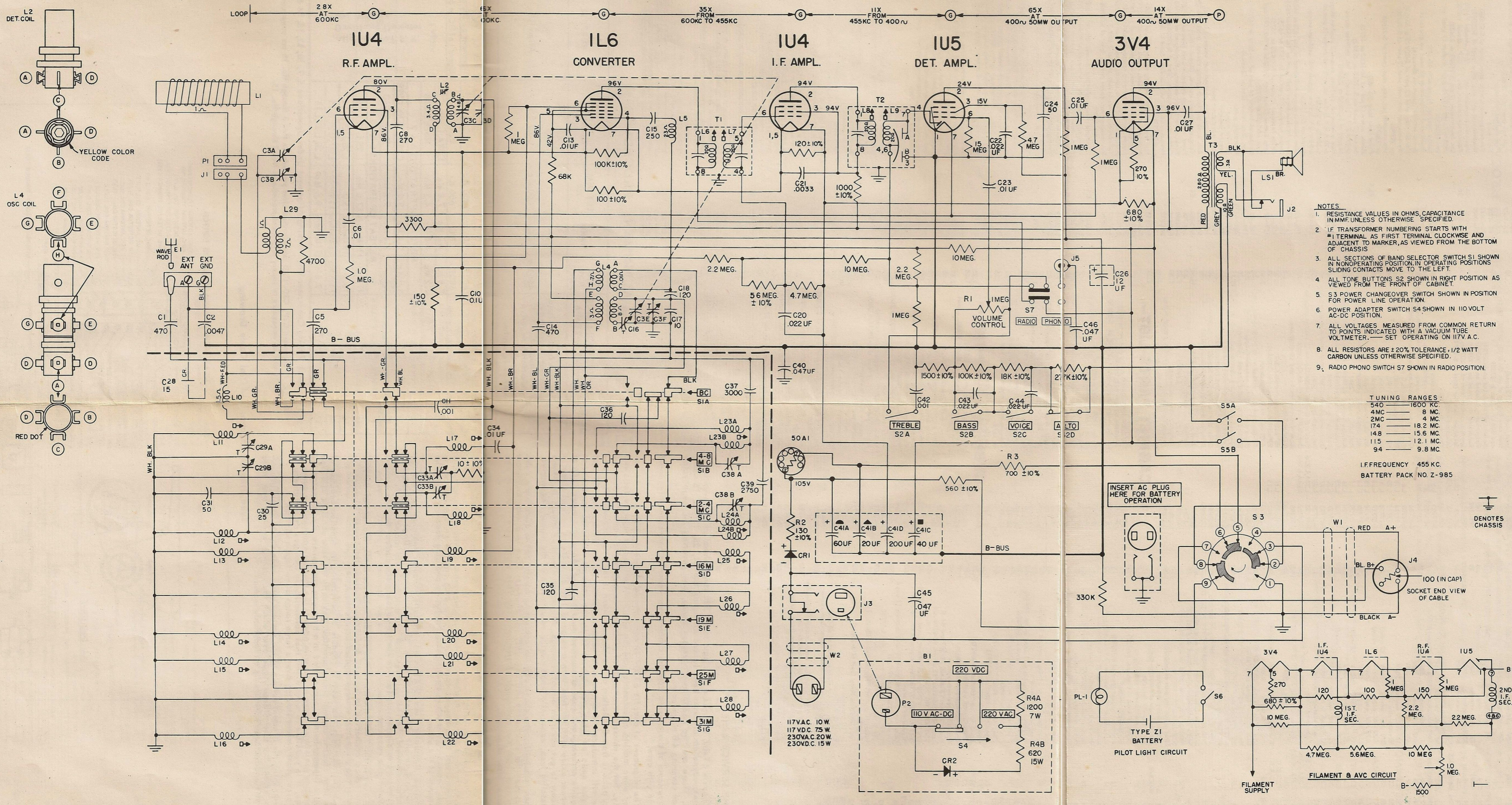


MODELS Y600 AND Y600L CHASSIS 6T40Z AND 6T41Z



- NOTES**
1. RESISTANCE VALUES IN OHMS, CAPACITANCE IN MMF. UNLESS OTHERWISE SPECIFIED.
 2. IF TRANSFORMER NUMBERING STARTS WITH #1 TERMINAL AS FIRST TERMINAL CLOCKWISE AND ADJACENT TO MARKER, AS VIEWED FROM THE BOTTOM OF CHASSIS.
 3. ALL SECTIONS OF BAND SELECTOR SWITCH S1 SHOWN IN NON-OPERATING POSITION. IN OPERATING POSITIONS SLIDING CONTACTS MOVE TO THE LEFT.
 4. ALL TONE BUTTONS S2 SHOWN IN RIGHT POSITION AS VIEWED FROM THE FRONT OF CABINET.
 5. S3 POWER CHANGEOVER SWITCH SHOWN IN POSITION FOR POWER LINE OPERATION.
 6. POWER ADAPTER SWITCH S4 SHOWN IN 110 VOLT AC-DC POSITION.
 7. ALL VOLTAGES MEASURED FROM COMMON RETURN TO POINTS INDICATED WITH A VACUUM TUBE VOLTMETER. SET OPERATING ON 117V. A.C.
 8. ALL RESISTORS ARE $\pm 20\%$ TOLERANCE, 1/2 WATT CARBON UNLESS OTHERWISE SPECIFIED.
 9. RADIO PHONO SWITCH S7 SHOWN IN RADIO POSITION.

TUNING RANGES

540	1600 KC.
4MC	8 MC.
2MC	4 MC.
174	18.2 MC.
148	15.6 MC.
115	12.1 MC.
94	9.8 MC.

I.F. FREQUENCY 455 KC.
BATTERY PACK NO. Z-985

⊥ DENOTES CHASSIS

