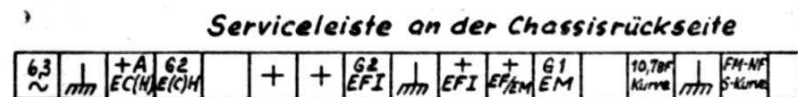
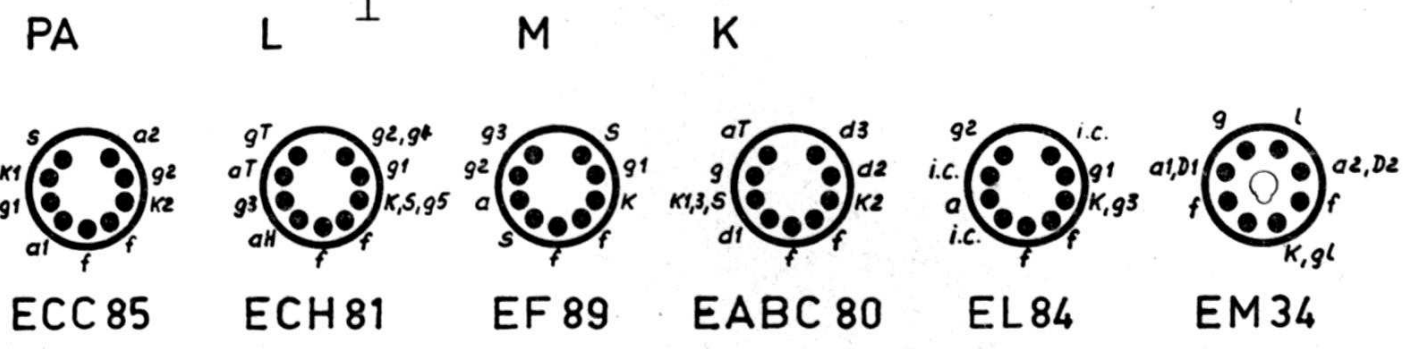
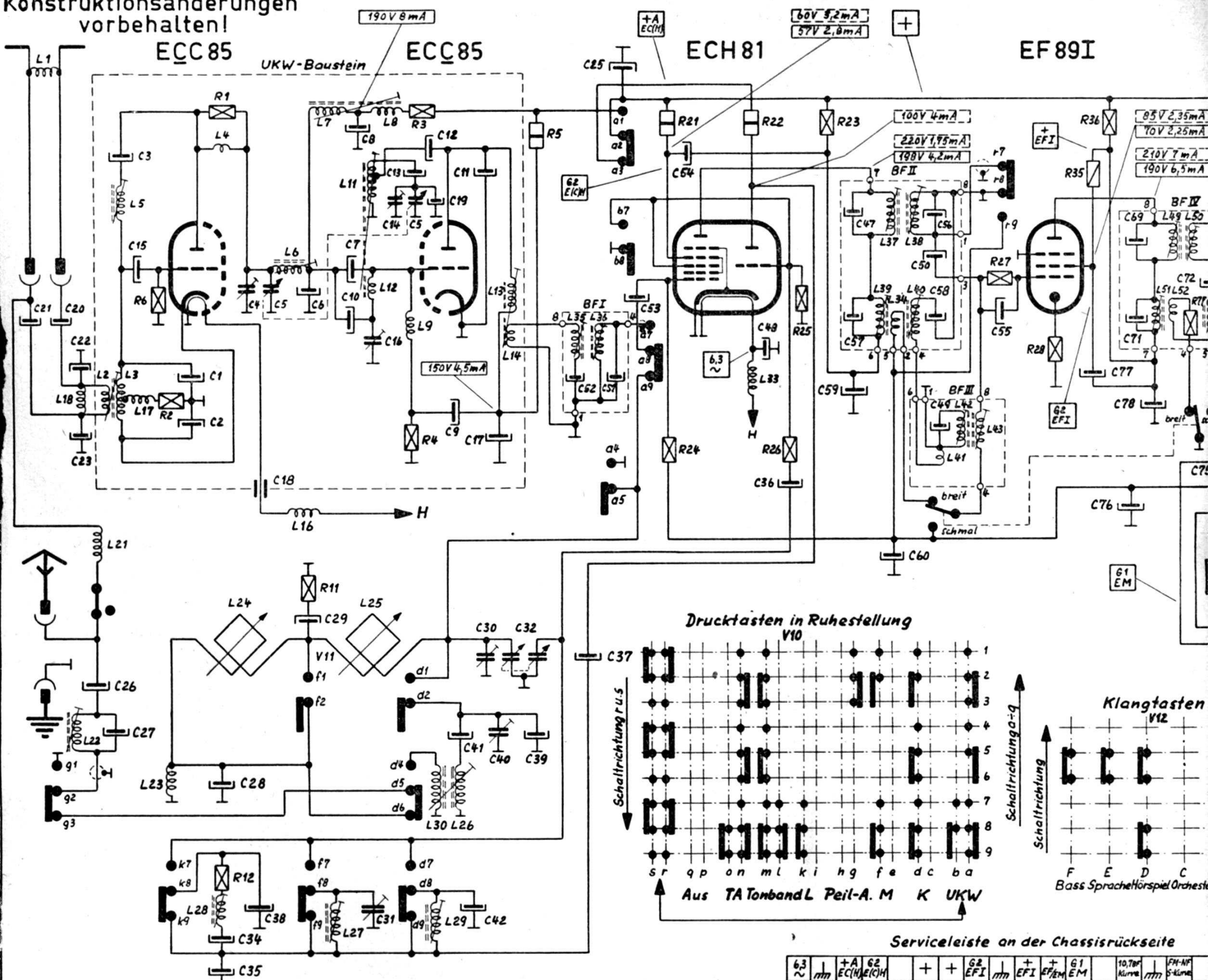


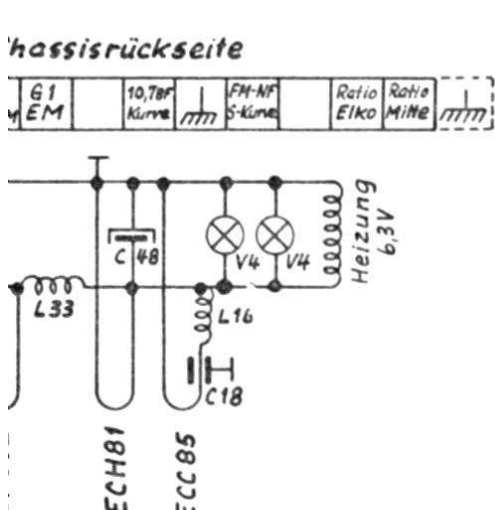
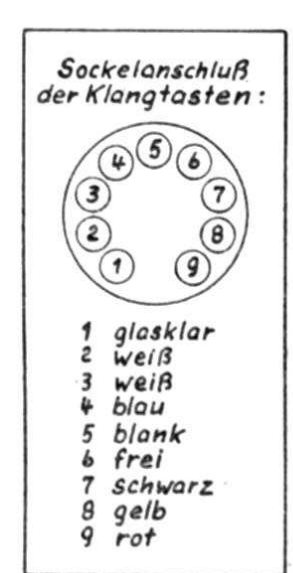
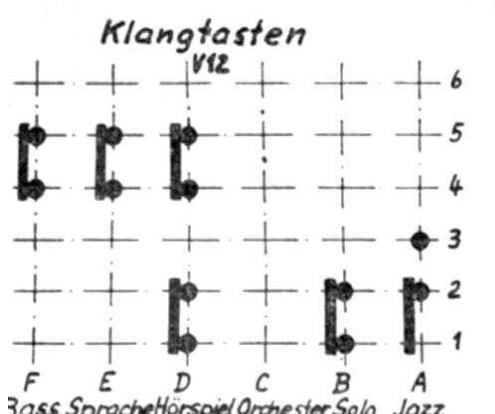
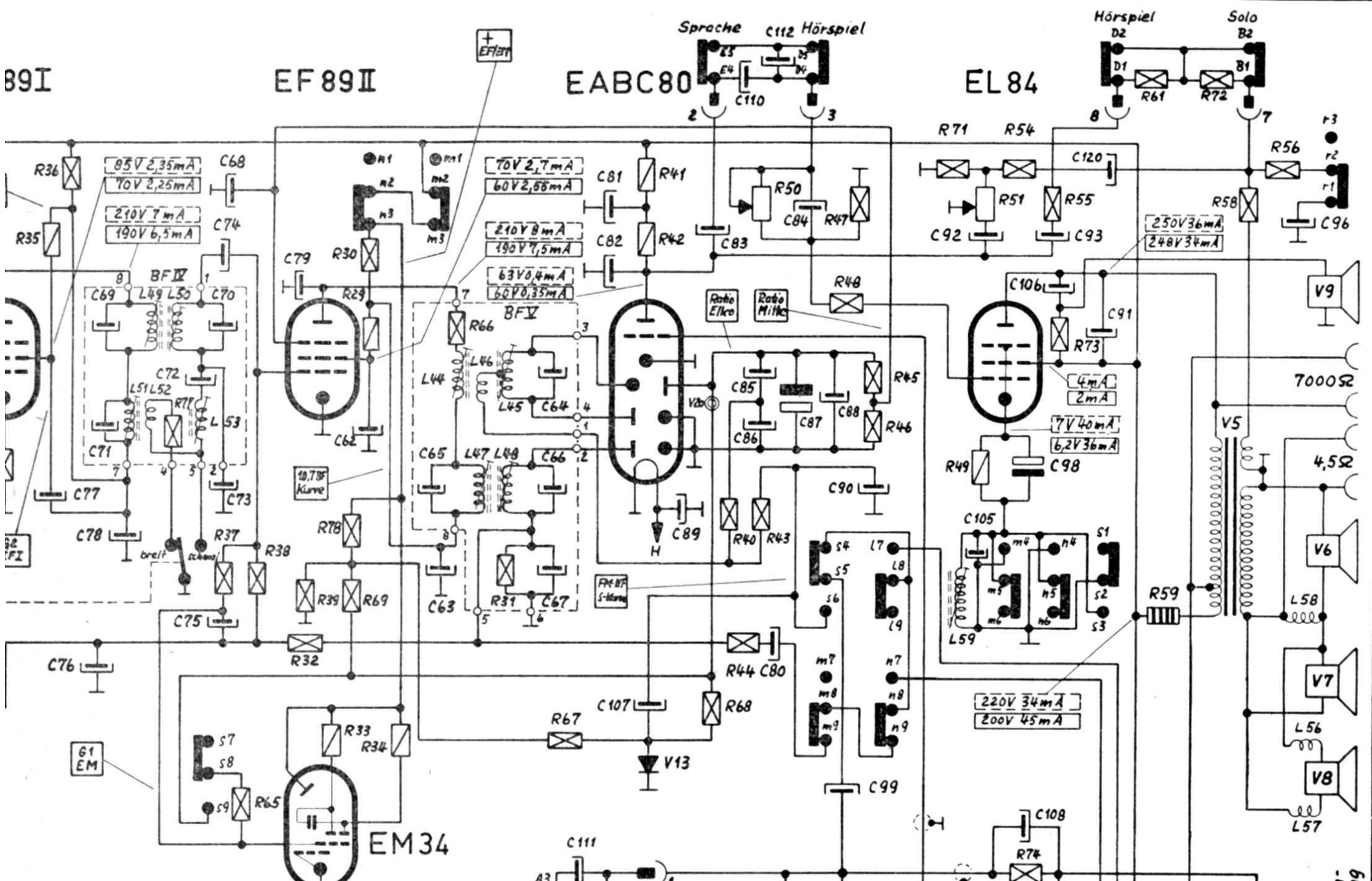
Konstruktionsänderungen vorbehalten!



1	2	3	4	5	6	7	8	9	10	11	12	13	14	15	16	17	18	19	20	21	22	23	24	25	26	27	28	29	30	31			
C	7pF K500V	20pF K500V	500pF K500V	0.8-6pF MF5131	FM Drehko MF5025	20pF K500V	20pF K500V	110pF K500V	50pF K500V	10pF K500V	7pF K500V	10pF K500V	30pF K500V	0.8-6pF MF5131	50pF K500V	1.3-15pF MF624	400pF K500V	1600pF K500V	3.2pF K500V	30pF K500V	30pF K500V	30pF K500V	30pF K500V	5000pF K500V	1000pF K500V	1000pF K500V	5000pF K500V	25pF K500V	3-30pF MF636	3-30pF MF636			
R	120Ω MF919	200Ω 0.33W	1kΩ 0.33W	1MΩ 0.33W	10kΩ 1W	1MΩ 0.33W	1MΩ 0.33W	110Ω K500V	50Ω K500V	10Ω K500V	7Ω K500V	10Ω K500V	30Ω K500V	0.8-6pF MF5131	50Ω K500V	1.3-15pF MF624	400Ω K500V	1600Ω K500V	3.2Ω K500V	30Ω K500V	30Ω K500V	30Ω K500V	50kΩ 1W	30kΩ 1W	1kΩ 0.33W	1.6MΩ 0.33W	50kΩ 0.33W	30Ω 0.33W	100kΩ 0.33W	100Ω 0.33W	50kΩ 0.5W	1kΩ 0.33W	200Ω 0.33W
L	7Wdg.	2 1/2Wdg.	7 1/2Wdg.	1Wdg.	20Wdg.	6 1/3Wdg.	26Wdg.	130Wdg.	38Wdg.					4 1/2Wdg.	1 1/3Wdg.	40Wdg.	2Wdg.					32Wdg.	115μH	1mH	1.86mH	184μH	2.5μH	200mH	540μH	3.5μH	10μH		
V	Trafo MF5111	Gleichr. MF5100	Sicherrg. 0.4A/250	Skalenl. MF150	Aussr. MF5399	Lautspr. MF5129	Lautspr. MF5395	Lautspr. MF5395	Lautspr. MF5168	Druckt. MF5118	Ferritk. MF532	Klangt. 00T	Richtl. MF5336																				
41	42	43	44	45	46	47	48	49	50	51	52	53	54	55	56	57	58	59	60	61	62	63	64	65	66	67	68	69	70	71			
C	350pF K500V	40pF K500V				10pF K500V	5000pF K500V	350pF K500V	350pF K500V	10pF K500V	20pF K500V	50pF K500V	5000pF K500V	160pF K500V	20pF K500V	350pF K500V	350pF K500V	5000pF K500V	0.05μF P125V		5000pF K500V	0.01μF K500V	60pF K500V	350pF K500V	350pF K500V	200pF K500V	5000pF K500V	20pF K500V	60pF K500V	350pF K500V			
R	200kΩ 0.5W	200kΩ 0.5W	50kΩ 0.33W	100kΩ 0.33W	16kΩ 0.33W	16kΩ 0.33W	800kΩ 0.33W	100kΩ 0.33W	170Ω 0.5W	10MΩ MF504	1MΩ MF5161	1.3MΩ 0.33W	100kΩ 0.33W	10kΩ 0.33W	100kΩ 0.33W	10kΩ 0.33W	10MΩ MF509	80kΩ 0.33W	1.5kΩ 4W		200kΩ 0.33W	80kΩ 0.33W		1.6MΩ 0.33W	50Ω 0.33W	2MΩ 0.33W	500kΩ 0.33W	1MΩ 0.33W	500kΩ 0.33W	50kΩ 0.33W			
L	1 1/2Wdg.	157Wdg.	157Wdg.	47Wdg.	11Wdg.	4Wdg.	157Wdg.	157Wdg.	26Wdg.	16Wdg.	157Wdg.	4Wdg.	157Wdg.																				
81	82	83	84	85	86	87	88	89	90	91	92	93	94	95	96	97	98	99	100	101	102	103	104	105	106	107	108	109	110	111			
C	0.1μF P500V	100pF P500V	0.01μF P500V	160pF K500V	250pF K500V	250pF K500V	4μF MF181	5000pF K500V	5000pF K500V	500pF K500V	2000pF P500V	0.01μF P500V	5000pF P500V	50pF K500V	5000pF P125V	2000pF P500V	0.01μF MF361	100μF MF361	0.015μF P125V	3x50μF MF657		5000pF P125V	160pF K500V	0.25μF P125V	500pF P500V	1000pF P500V	30pF K500V		250pF P500V	160pF K500V			

Bei Kondensatoren: Kf = Kunststoffolien-Kondensator, K = Keramik-Kondensator, P = Papier-Kondensator

Spannungen und Ströme [bei AM] [bei FM] gemessen Kathodens...



	28	29	30	31	32	33	34	35	36	37	38	39	40
Ω	5000pF	25pF	3+30pF	3-30pF	AM Drehko		350pF	240pF	160pF	1000pF	80pF	30pF	3+30pF
Ω	100kΩ	50kΩ	1kΩ	200kΩ	500kΩ	1MΩ	1MΩ	50kΩ	1kΩ	1,6MΩ	50kΩ	30kΩ	120kΩ
W	0,33W	0,5W	0,33W	0,33W	0,33W	0,5W	0,5W	0,5W	0,33W	0,33W	0,33W	0,33W	MF636
µg	540µH	3,5µH	10µH			40Wdg.	4Wdg.	33Wdg.	33Wdg.	47Wdg.	22Wdg.	157Wdg.	157Wdg.
	68	69	70	71	72	73	74	75	76	77	78	79	80
Ω	5000pF	20pF	60pF	350pF	350pF	5000pF	50pF	0,05µF	5000pF	5000pF	5000pF	7pF	5000pF
Ω	5kΩ	KF125V	KF125V	KF125V	KF125V	KF125V	KF125V	P125V	K500V	K500V	KF500V	K500V	P500V
Ω	500kΩ	1MΩ	500kΩ	50kΩ	500kΩ	500kΩ	50kΩ	100kΩ	100kΩ	100kΩ	200kΩ	200kΩ	200kΩ
W	0,33W	0,33W	0,33W	0,33W	0,33W	0,5W	0,33W	0,33W	2W	0,33W	0,5W	0,5W	0,5W
	108	109	110	111	112	113	114	115	116	117	118	119	120
Ω	30pF		250pF	160pF	500pF	0,01µF							500pF
Ω	KF125V		P500V	KF125V	KF500V	P125V							P500V

bei FM gemessen mit Instrument 1000 Ω/V im Meßbereich 600V. Kathodenspannung der EL 84 gemessen im Meßbereich 12V.



10/13 Kreis-Super
Atello 57

