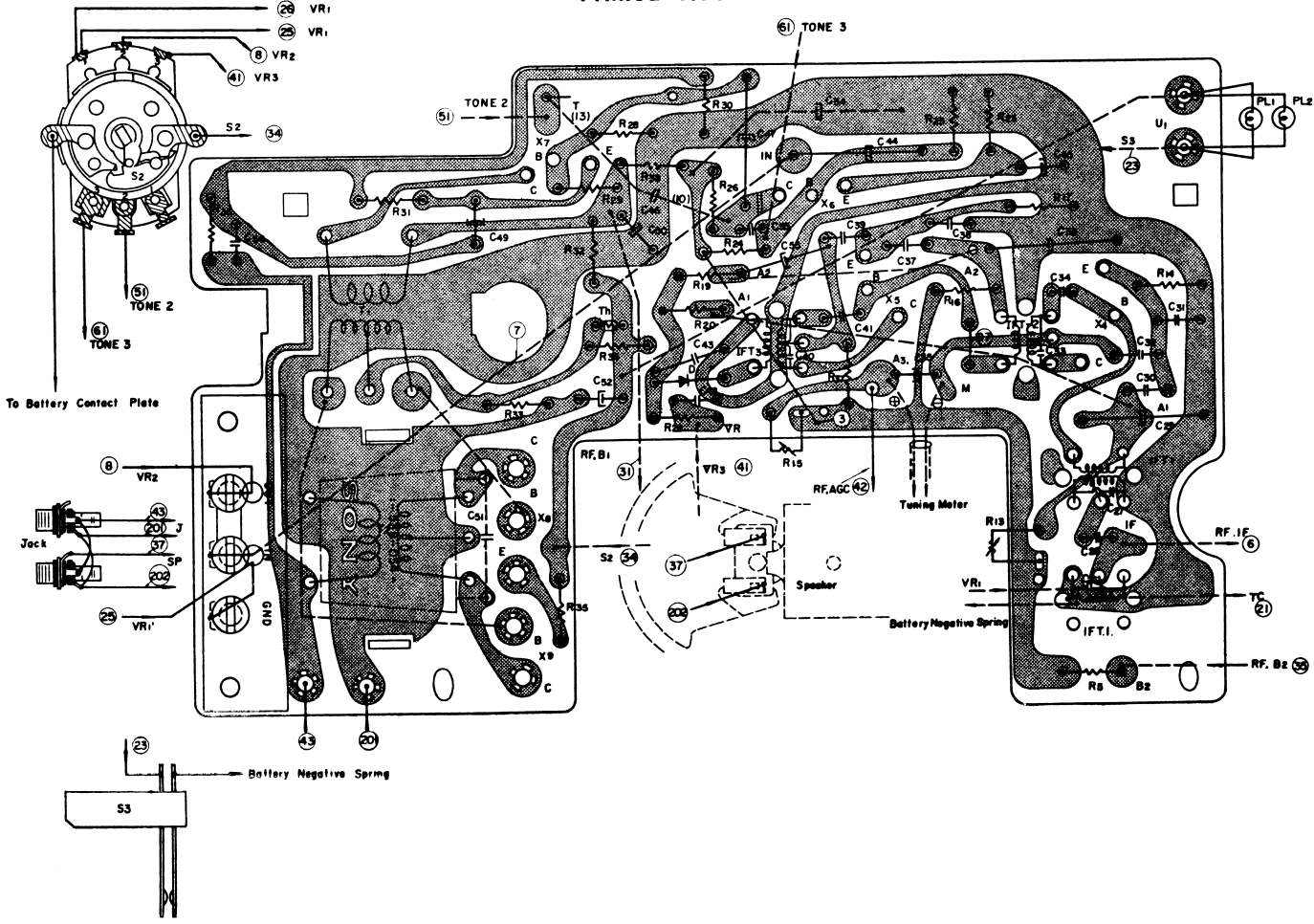
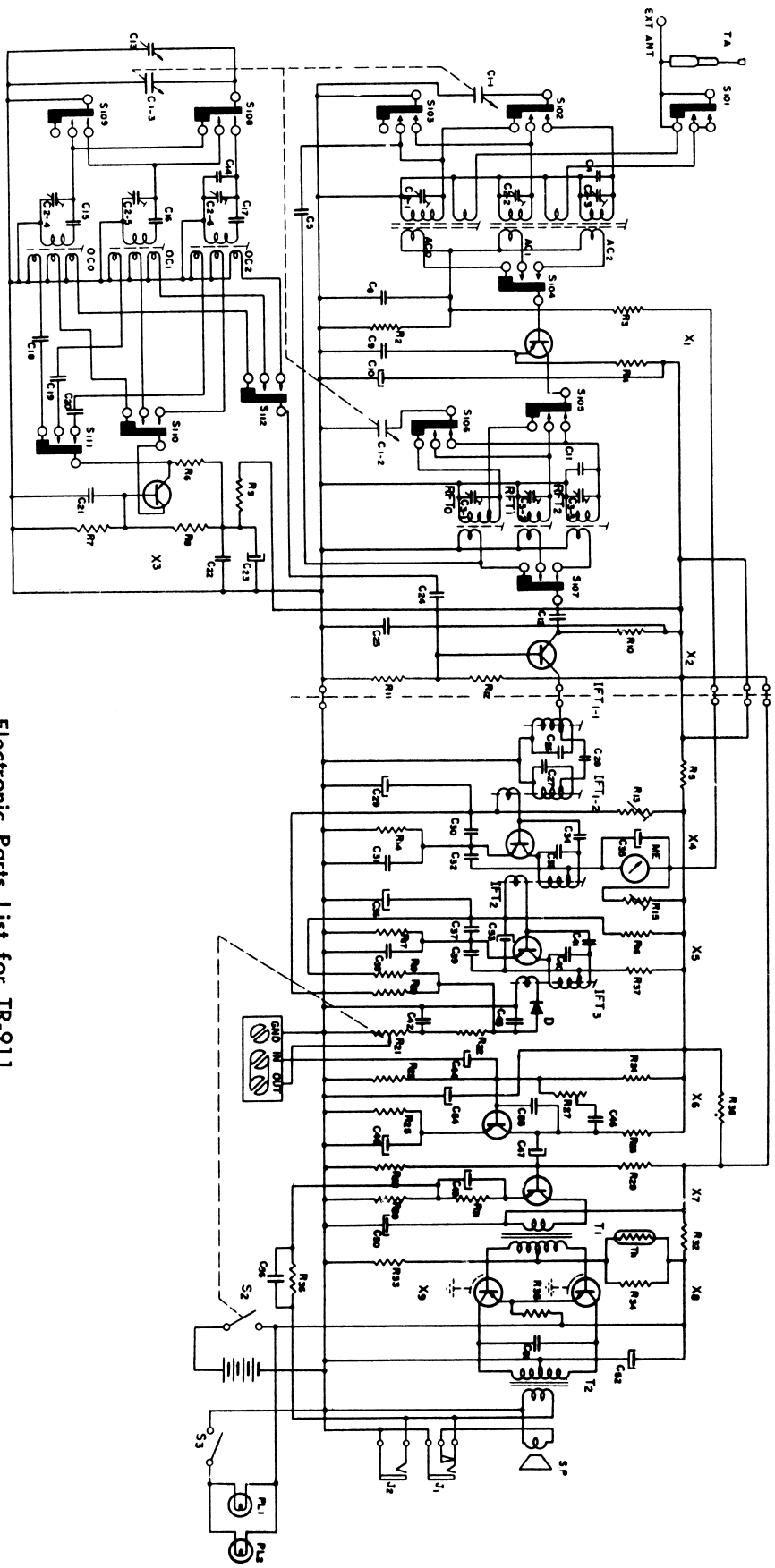


Mounting Diagram (IF-AF Section)
 — Printed Side —





Electronic Parts List for TR-911

Symbol	Description	Part No.	Symbol	Description	Part No.	Symbol	Description	Part No.	Symbol	Description	Part No.	Symbol	Description
TA	Telescopic Antenna		X ₁	Tonistor 25D45	1-221-283-01	R ₁₁	Volume Control 5 KΩ (dual type)	1-101-072-00	C ₉	0.01 μf ±30% Ceramic	1-101-047-00	C ₃₄	3 pf ±0.5 pf Ceramic
AC ₁	MW, Ferrite Bar Antenna	1-203-037-00	X ₂	" 258S2	1-203-037-00	R ₁₂	1.2 KΩ RD ½ L ±5%	1-101-072-00	C ₈	0.01 μf "	1-121-102-06	C ₃₅	30 μf 6 V Electrolytic
AC ₂	MW, Ferrite Bar Antenna	1-203-042-00	X ₃	" 258S2	1-203-042-00	R ₁₃	4.3 KΩ "	1-121-104-01	C ₁₀	10 μf 6 V Electrolytic	1-119-005-00	C ₃₆	10 μf 6 V "
RF ₁	MW, RF Transformer	1-203-130-00	D	Diode 1T23C	1-203-130-00	R ₁₄	18 KΩ "	1-101-040-00	C ₁₁	20 pf ±10% Ceramic	1-105-012-00	C ₃₇	0.01 μf ±30% Mylar
RF ₂	MW, RF Transformer	1-203-031-00	Th	Thermistor S-90	1-203-031-00	R ₁₅	1 KΩ "	1-101-098-00	C ₁₂	0.005 μf ±30% "	1-105-012-00	C ₃₈	0.01 μf "
RF ₃	MW, RF Transformer	1-203-151-00		Carbon Resistor	1-221-283-01	R ₁₆	1.8 KΩ "	1-151-044-00	C ₁₃	Fine Tuning Capacitor	1-105-078-00	C ₃₉	0.04 μf "
OC ₁	MW, Oscillator Coil	1-203-058-00		—deleted—	1-203-058-00	R ₁₇	3.3 KΩ RD ½ L ±5%	1-101-084-00	C ₁₄	15 pf ±10% Ceramic	1-101-046-00	C ₄₀	180 pf built in IF ₂
OC ₂	SW, Oscillator Coil	1-203-049-00	R ₁	360 KΩ RD ½ L ±5%	1-203-049-00	R ₁₈	6.8 KΩ "	1-103-015-00	C ₁₅	350 pf ±5% Sycal	1-105-011-00	C ₄₁	2 pf ±0.5 pf Ceramic
FT ₁₋₁₋₁	Double Tuned IF Transformer	1-203-026-00	R ₂	2.2 KΩ "	1-203-026-00	R ₁₉	5.1 Ω "	1-103-396-00	C ₁₆	2500 pf "	1-105-017-00	C ₄₂	0.005 μf ±30% Mylar
FT ₂	IF Transformer	1-203-049-00	R ₃	470 Ω "	1-203-049-00	R ₂₀	270 Ω "	1-105-099-00	C ₁₇	8000 cf "	1-109-002-00	C ₄₃	0.01 μf "
IF ₁	IF Transformer	1-203-067-00	R ₄	2.2 KΩ "	1-203-067-00	R ₂₁	75 Ω "	1-103-067-00	C ₁₈	0.005 μf ±30% Mylar	1-121-104-01	C ₄₄	10 μf 6 V Electrolytic
T ₁	Output Transformer	1-203-058-00	R ₅	6.8 KΩ "	1-203-058-00	R ₂₂	1.8 KΩ "	1-103-062-00	C ₁₉	0.001 μf "	1-105-078-00	C ₄₅	3 μf 6 V Electrolytic
T ₂	Driver Transformer	1-203-058-00	R ₆	470 Ω "	1-203-058-00	R ₂₃	3 Ω "	1-121-115-01	C ₂₀	300 pf ±5% Sycal	1-119-002-00	C ₄₆	0.04 μf ±30% Mylar
S ₁	Band Setting Switch in R ₁	1-203-058-00	R ₇	3.3 KΩ "	1-203-058-00	R ₂₄	150 Ω "	1-101-098-00	C ₂₁	300 pf "	1-119-002-00	C ₄₇	3 μf 6 V Electrolytic
S ₂	Power Switch (built in R ₁)	1-203-058-00	R ₈	22 KΩ "	1-203-058-00	R ₂₅	82 Ω "	1-103-062-00	C ₂₂	0.005 μf ±30% Ceramic	1-121-115-01	C ₄₈	—deleted—
S ₃	Dial Light Switch	1-203-093-00	R ₉	3.3 KΩ "	1-203-093-00	R ₂₆	3 Ω "	1-103-062-00	C ₂₃	100 μf 6 V Electrolytic	1-121-123-00	C ₄₉	100 μf 6 V "
J ₁₋₂	Twin Earphone Jack	1-203-045-00	R ₁₀	470 Ω "	1-203-045-00	R ₂₇	180 Ω "	1-121-115-01	C ₂₄	0.002 μf ±30% Ceramic	1-113-116-00	C ₅₀	200 μf 6 V "
SP	Speaker 8Ω	1-203-045-00	R ₁₁	5.6 KΩ "	1-203-045-00	R ₂₈	150 Ω "	1-101-073-00	C ₂₅	0.02 μf "	1-121-123-00	C ₅₁	0.3 μf 100 V MP
ME	Tuning Meier	1-221-340-00	R ₁₂	Adjustable Resistor	1-51-045-00	R ₂₉	82 Ω "	1-101-049-00	C ₂₆	180 pf built in IF ₁₋₁	1-121-104-01	C ₅₂	200 μf 6 V Electrolytic
X ₁	Tonistor 25A70	1-221-340-00	R ₁₃	470 Ω RD ½ L ±5%	1-41-013-00	R ₃₀	5 KΩ Adjustable Resistor	1-119-005-00	C ₂₇	5 pf ±0.5 pf Ceramic	1-121-104-01	C ₅₃	10 μf 6 V "
X ₂	" 25A70	1-203-178-00	R ₁₄	39 KΩ RD ½ L ±5%	1-41-013-00	R ₃₁	39 KΩ RD ½ L ±5%	1-105-010-00	C ₂₈	10 μf 6 V Electrolytic	1-105-010-00	C ₅₄	0.002 μf ±30% Mylar
X ₃	" 25C76	1-203-026-00	R ₁₅	—deleted—	1-41-015-00	R ₃₂	470 Ω RD ½ L ±5%	1-105-013-00	C ₂₉	0.01 μf ±30% "	1-105-013-00	C ₅₅	0.02 μf "
X ₄	" 25C76	1-203-046-00	R ₁₆	5.6 KΩ RD ½ L ±5%	1-101-047-00	R ₃₃	—deleted—		C ₃₀	180 pf built in IF ₂			
X ₅	" 25D44	1-203-065-00	R ₁₇	10 KΩ "	1-101-047-00	R ₃₄	—deleted—		C ₃₁				
X ₆			R ₁₈			R ₃₅			C ₃₂				