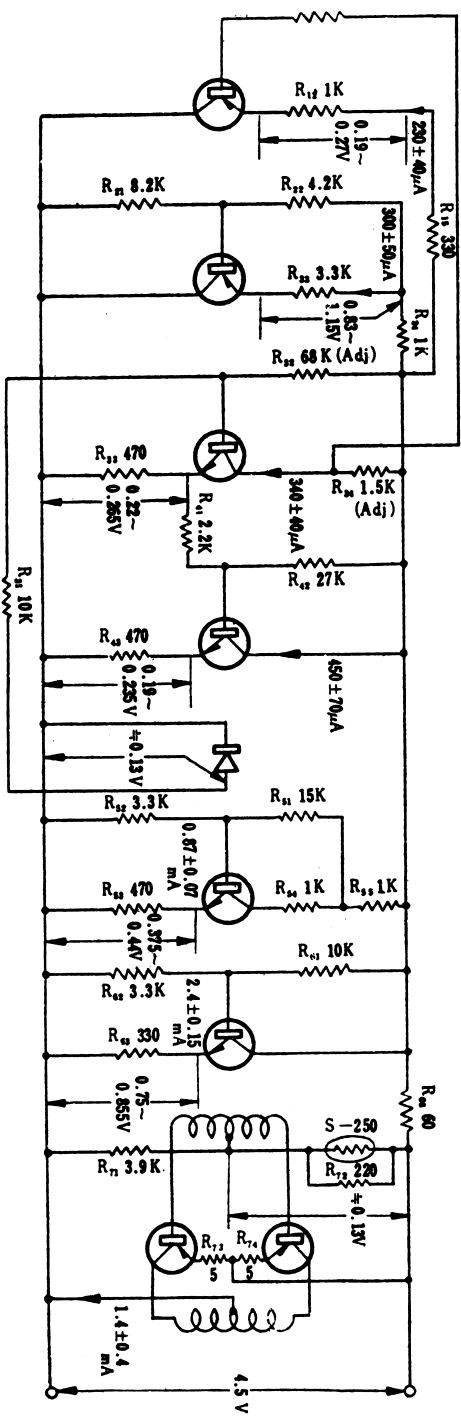
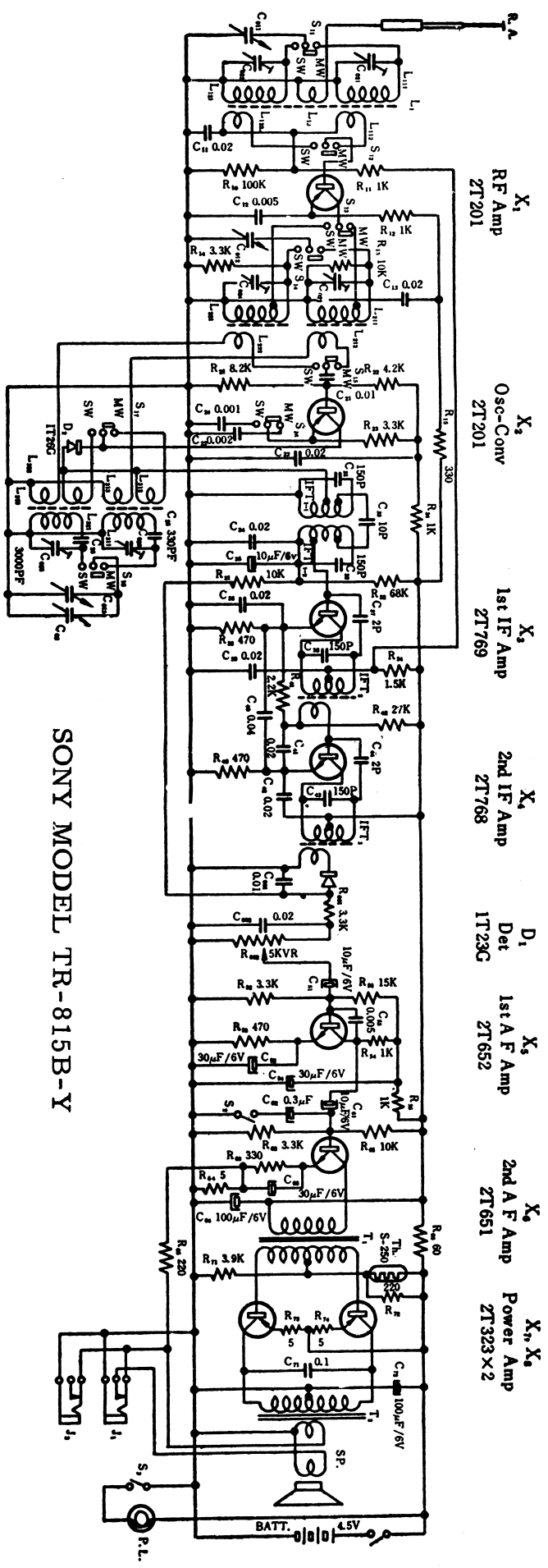


Current and voltage distributions for TR-815B and TR-815Y



- X<sub>1</sub> RF Amp 2T201
- X<sub>2</sub> Conv 2T201
- X<sub>3</sub> 1st IF Amp 2T769
- X<sub>4</sub> 2nd IF Amp 2T768
- D<sub>1</sub> Det IT23C
- X<sub>5</sub> 1st AF Amp 2T651
- X<sub>6</sub> 2nd AF Amp 2T651
- X<sub>n</sub>, X<sub>s</sub> Power Amp 2T323X2

Local oscillator voltage : MW 0.09.....0.18volt (by VTVM)  
 SW 0.07.....0.17volt  
 at emitter of X2



SONY MODEL TR-815B-Y

