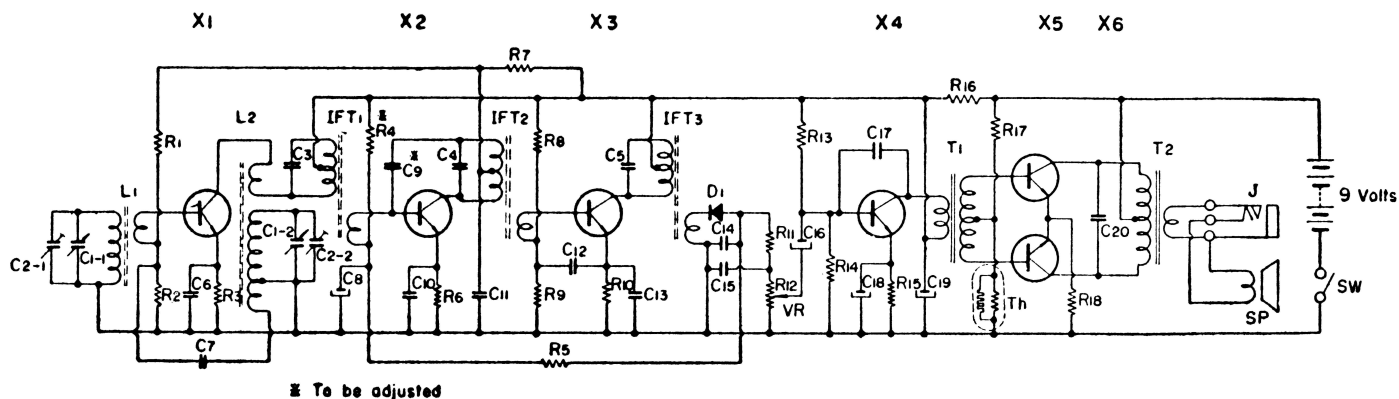


Schematic Diagram for TR-650



Electronic Parts List for TR-650

Part No.	Symbol	Description	Part No.	Symbol	Description
1-401-146-01	L ₁	Ferrite Bar Antenna	1-221-241-00	R ₁₂	Volume Control 5 KΩ
1-405-054-20	L ₂	Oscillator Coil	1-201-110-00	R ₁₃	Composition Resistor 27 KΩ 1/10 W ± 20%
1-403-025-02	IFT ₁	IF Transformer	-108-00	R ₁₄	10 KΩ "
-026-02	IFT ₂	"	-104-00	R ₁₅	1.5 KΩ "
-027-02	IFT ₃	"	-102-00	R ₁₆	220 Ω "
1-423-021-01	T ₁	Driver Transformer	1-203-426-00	R ₁₇	Carbon Resistor 7.5 KΩ RD 1/16 RL ± 5%
1-427-025-01	T ₂	Output Transformer	1-201-101-00	R ₁₈	Composition Resistor 10 Ω 1/10 W ± 20%
1-502-076-02	SP	Speaker	1-151-054-00	C ₁	P. V. C. Tuning Capacitor, two gang
1-507-011-00	J	Earphone Jack		C ₂	Trimmer Capacitor
	X ₁	Transistor 2 SC 73		C ₃	Capacitor 150 PF built in IFT ₁
	X ₂	" 2 SC 76		C ₄	" 150 PF built in IFT ₂
	X ₃	" 2 SC 76		C ₅	" 150 PF built in IFT ₃
	X ₄	" 2 SD 65	1-101-020-00	C ₆	Ceramic Capacitor 0.005 μF
	X ₅	" 2 SD 65	-020-00	C ₇	" 0.005 μF
	X ₆	" 2 SD 65	1-121-112-00	C ₈	Electrolytic Capacitor 10 μF 3 V
	D	Diode 1 T 23 G	1-101-018-00	*C ₉	Ceramic Capacitor 1 PF
1-201-601-00	Th	Thermistor CS-120	-022-00	C ₁₀	" 0.02 μF
		Composition Resistor	-021-00	C ₁₁	" 0.01 μF
1-201-108-00	R ₁	10 KΩ 1/10 W ± 20%	-021-00	C ₁₂	" 0.01 μF
-112-00	R ₂	100 KΩ "	-022-00	C ₁₃	" 0.02 μF
-109-00	R ₃	15 KΩ 1/10 W ± 10%	-022-00	C ₁₄	" 0.02 μF
		Carbon Resistor	-021-00	C ₁₅	" 0.01 μF
1-203-616-00	*R ₄	130 KΩ RD 1/16 RL ± 5%	1-121-112-00	C ₁₆	Electrolytic Capacitor 10 μF 3 V
		Composition Resistor	1-103-063-00	C ₁₇	Styrol Capacitor 330 PF
1-201-106-00	R ₅	5.6 KΩ 1/10 W ± 10%	1-121-113-00	C ₁₈	Electrolytic Capacitor 30 μF 3 V
-103-00	R ₆	470 Ω 1/10 W ± 20%	-110-00	C ₁₉	" 30 μF 10 V
-108-00	R ₇	10 KΩ "	1-101-023-00	C ₂₀	Ceramic Capacitor 0.04 μF
-111-00	R ₈	39 KΩ "			
-105-00	R ₉	3.3 KΩ "			
-103-00	R ₁₀	470 Ω "			
-103-00	R ₁₁	470 Ω "			