

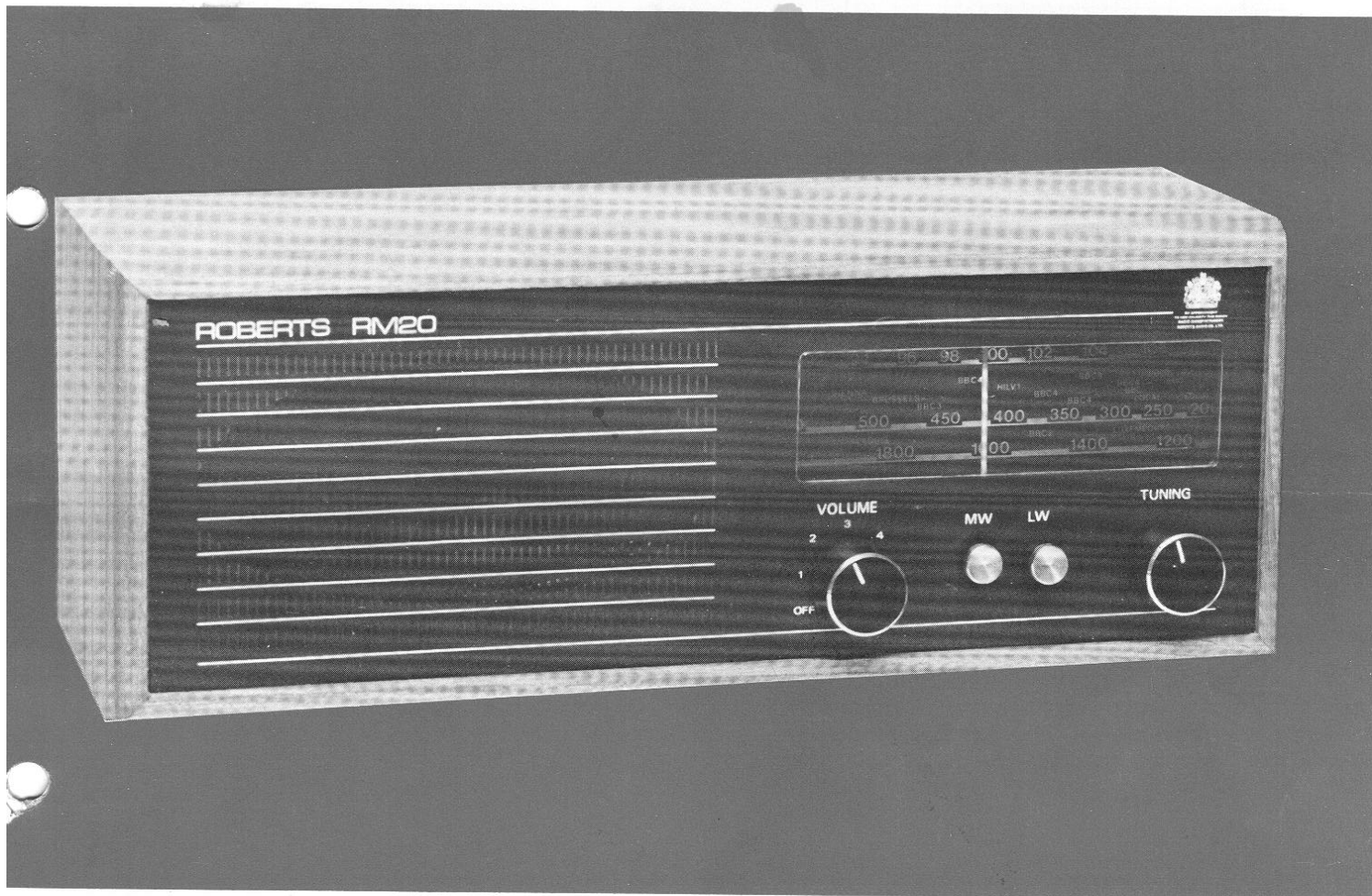


BY APPOINTMENT  
TO HER MAJESTY THE QUEEN  
RADIO MANUFACTURERS  
ROBERTS RADIO CO. LTD.

# The Roberts RM20

MW & LW TRANSISTOR MAINS RADIO

## TECHNICAL DATA



### Specification

#### SEMICONDUCTORS

8 transistors  
1 diode  
1 bridge rectifier

#### WAVE BAND COVERAGE

MW 185-570 metres (1630-525 kHz)  
LW 1132-2000 metres (265-150 kHz)

#### POWER OUTPUT

2W nominal, continuous sinewave

#### LOUDSPEAKER

136 x 70 mm, 12 ohms impedance

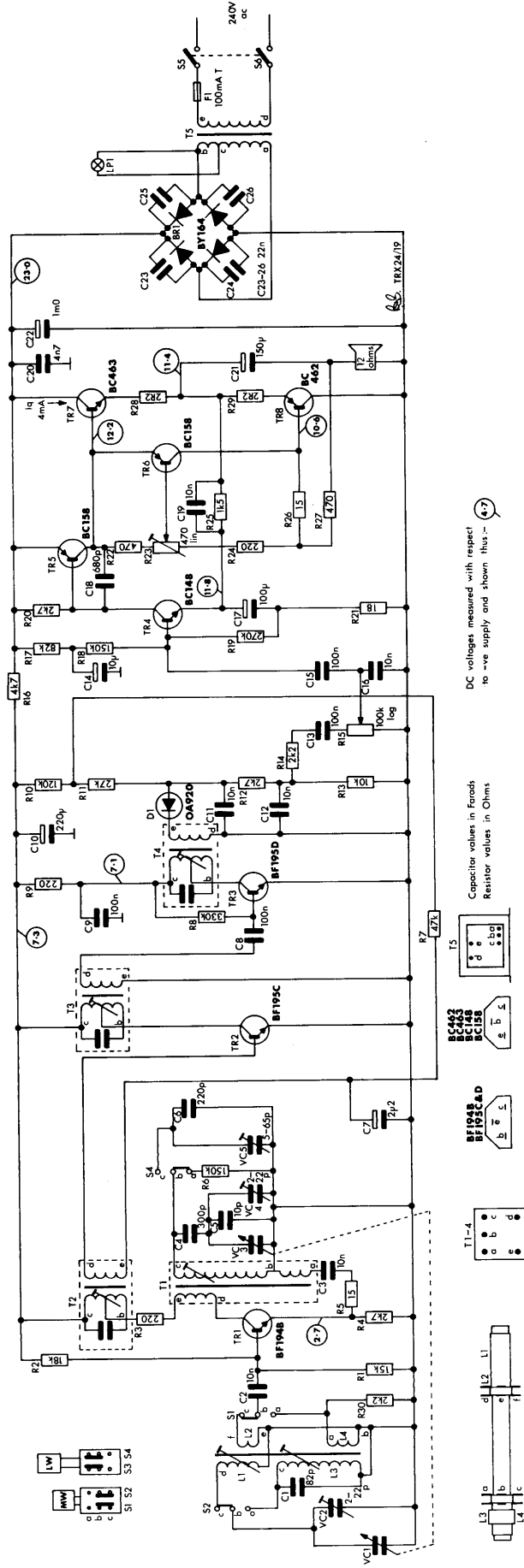
#### POWER SUPPLY

240 V 50 Hz mains

### Dismantling

1. Remove two screws securing the cabinet back and volume & tuning control knobs.
2. Remove six screws on underside of cabinet.
3. The main chassis and power unit chassis may then be removed from rear of cabinet.

# CIRCUIT DIAGRAM

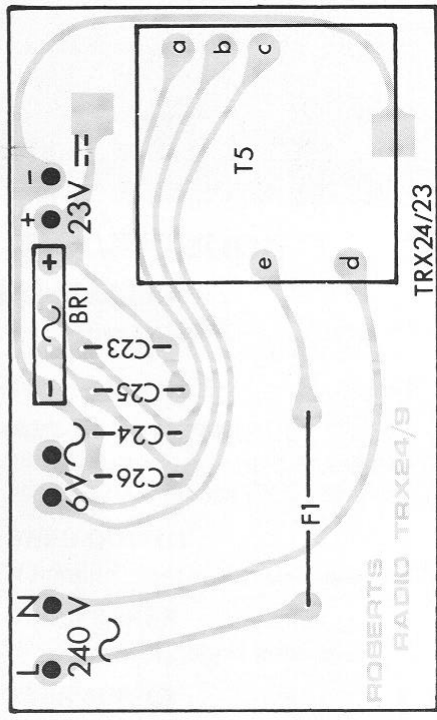


# ALIGNMENT

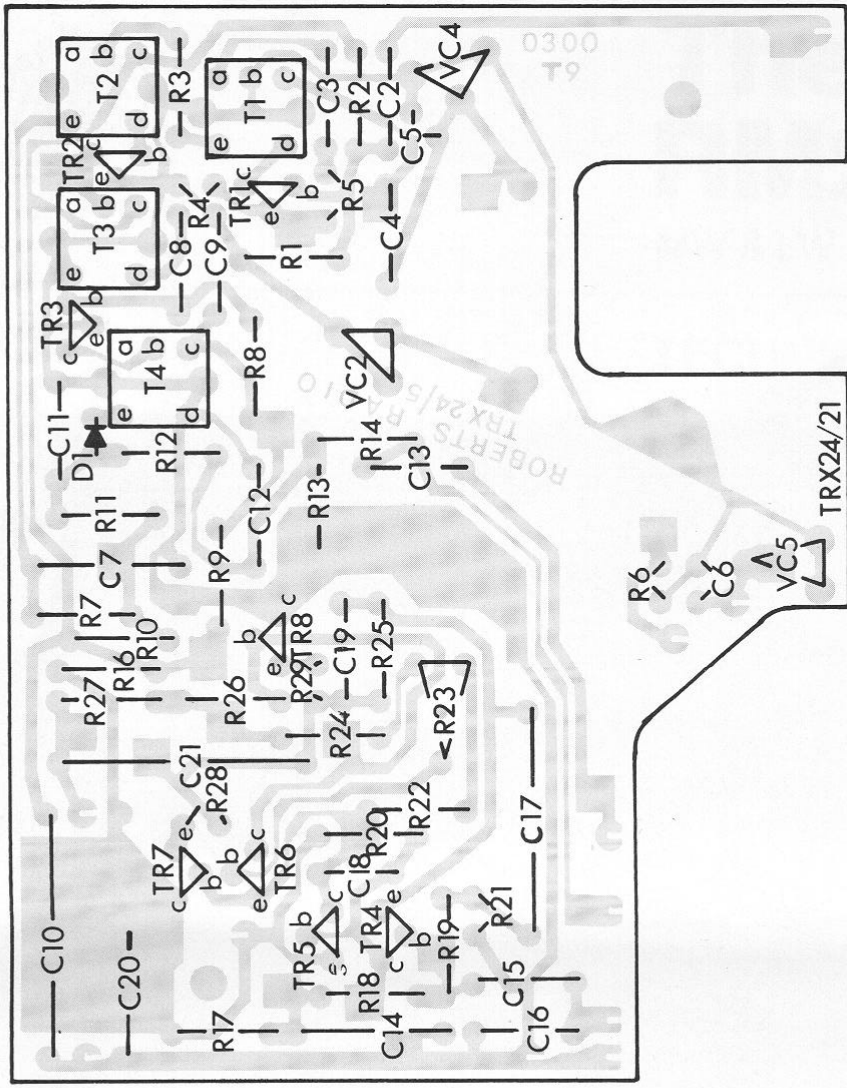
ENSURE:—Gang to max. Pointer coincides with datum marks at right-hand end of scale.

WAVE-BAND	POINTER	SWEEP/SIGNAL GENERATOR		INDICATOR	CONNECT	ADJUST	INDICATION
		INJECT	FREQUENCY				
1	—	—	—	mA meter	In series with +ve supply line	R23 fully anticlockwise	Read mA with R23 in this position
2	—	—	—	As 1	As 1	R23	Position 1 reading + 4 mA
3	MW	Across L1	470 kHz	O'scope	Junction C13/R14 & chassis	T2, T3 & T4	Max. O/P & symmetry
4	MW	Via coupling loop	1500 kHz	AC Voltmeter	Across loudspeaker	VC4 & VC2	Max. O/P
5	MW	As 4	560 kHz	As 4	As 4	T1 & L1	Max. O/P
6	LW	As 4	261 kHz	As 4	As 4	VC5	Max. O/P
7	LW	As 4	156 kHz	As 4	As 4	L3	Max. O/P

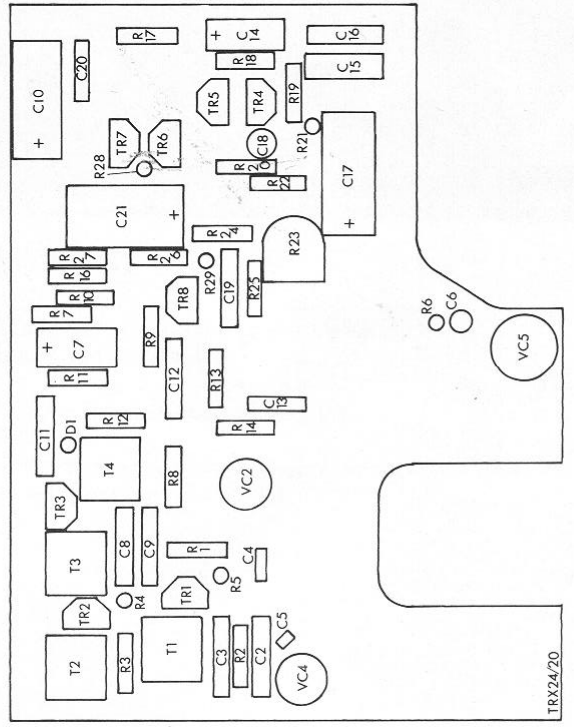
POWER SUPPLY BOARD LAYOUT



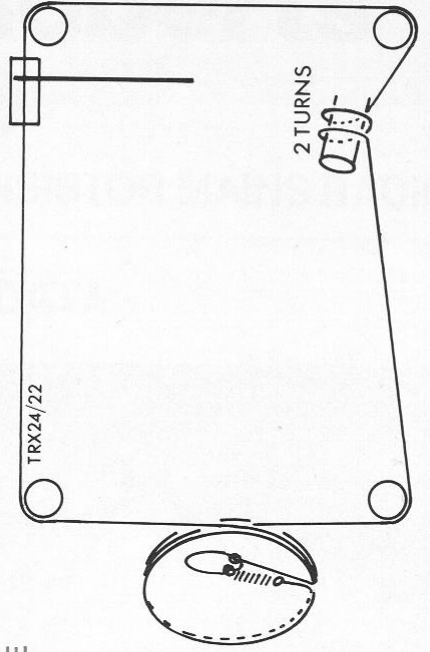
MAIN BOARD LAYOUT—UNDER SIDE



MAIN BOARD LAYOUT—TOPSIDE



CORD DRIVE



The Company reserves the right to amend the specification without notice.