

## U.S. Radio & Television Corp.

**Model:** 27P

**Chassis:**

**Year:** Pre 1932

**Power:**

**Circuit:**

**IF:**

**Tubes:**

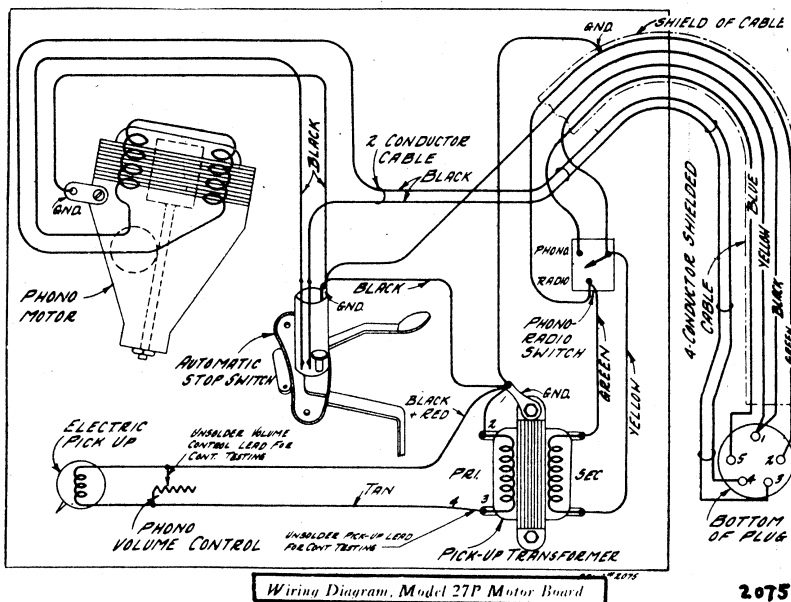
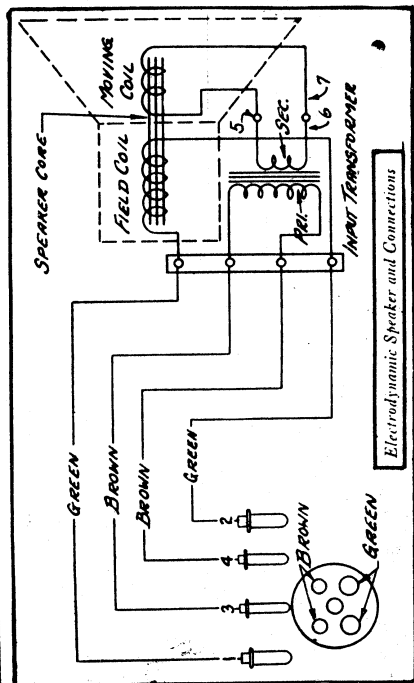
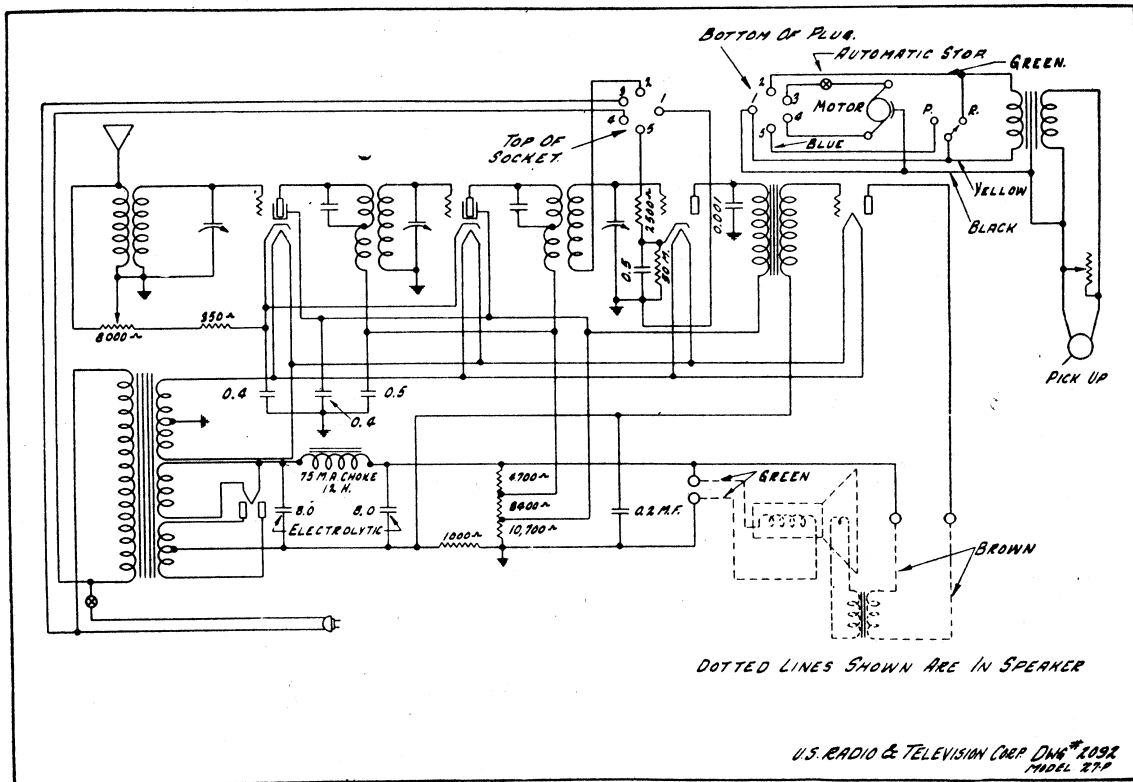
**Bands:**

Resources

**Riders Volume 1 - U. S. R. & T. 1-6**

**MODEL 27-P**  
**Schematic**  
**Motor Board**  
**Schematic**

**U. S. RADIO & TELEVISION CORP.**



Wiring Diagram, Model 27P Motor Board

2075