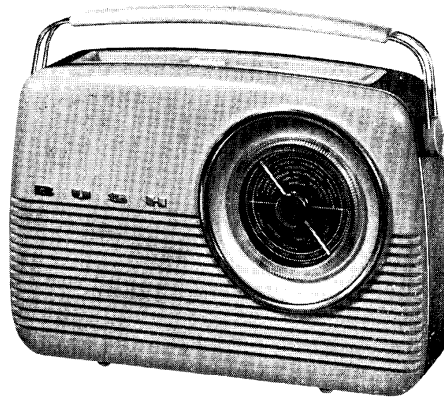


BUSH SERVICE INFORMATION

MODELS TR82CL & DL TRANSISTOR RADIO RECEIVERS



USE IN CONJUNCTION WITH TP 1536 (SERVICE INFORMATION TR82C & D Mk. 11) NOTING ANY DIFFERENCES GIVEN HERE.

GENERAL

The TR82CL or DL is a two-waveband, battery operated receiver using 7 transistors and 1 crystal diode, with provision for the selection of pre-set tuned 208 metres (Luxembourg).

CABINET

TR82CL as TR82C Mk. 11.
TR82DL as TR82D Mk. 11.

CONTROLS

As TR82C & D Mk. 11 except that there is a three-button wavechange switch in the centre of the top panel:—
L.W., M.W. and '208'.

ALIGNMENT PROCEDURE

As in TP 1536 with the addition of the following notes. The circuit references are changed, i.e., for L6/L7/L8 read L7/L8/L9, CT3-CT5, CT2-CT3.

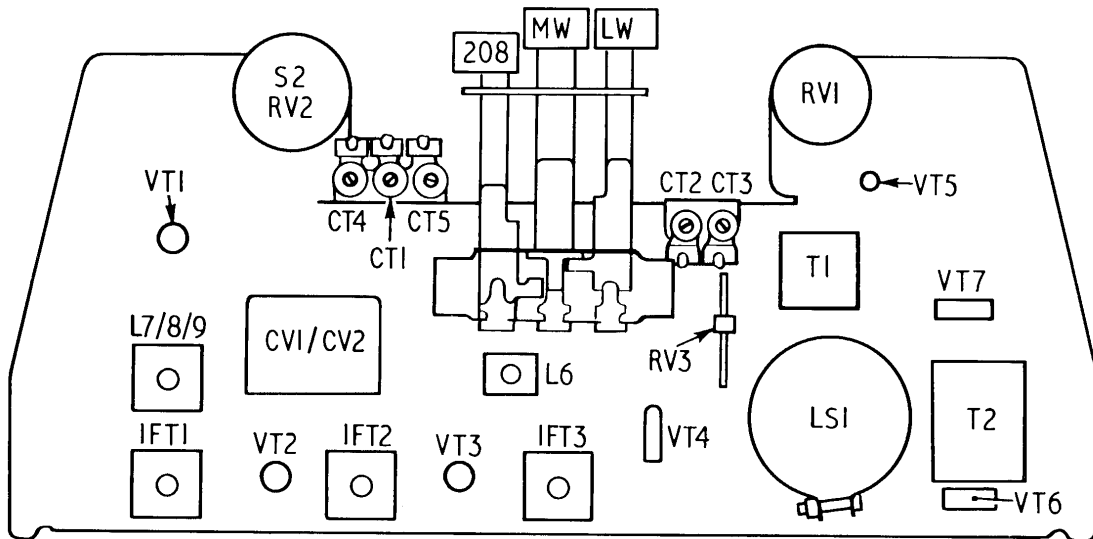
PRELIMINARY NOTES

- 1 The signal generator should also be capable of being modulated 80% at 5 kc/s for the setting up of the 208 (Luxembourg) button.

R.F. ALIGNMENT

Operation	Waveband	Signal Generator Frequency (modulated 80% at 5 kc/s)	Adjustment
6	'208' button	1439 kc/s	L6* CT4 (for maximum)

*A signal level of 1mV should be injected into the car aerial socket and the core of L6 adjusted for MINIMUM output (the output will rise on either side of the correct tuning point when the core of L6 is slowly rotated in either direction). Finally, check the tuning of the receiver against the Luxembourg transmission.



4610

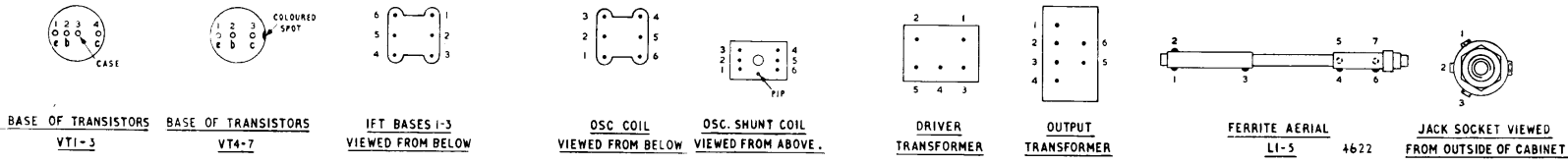
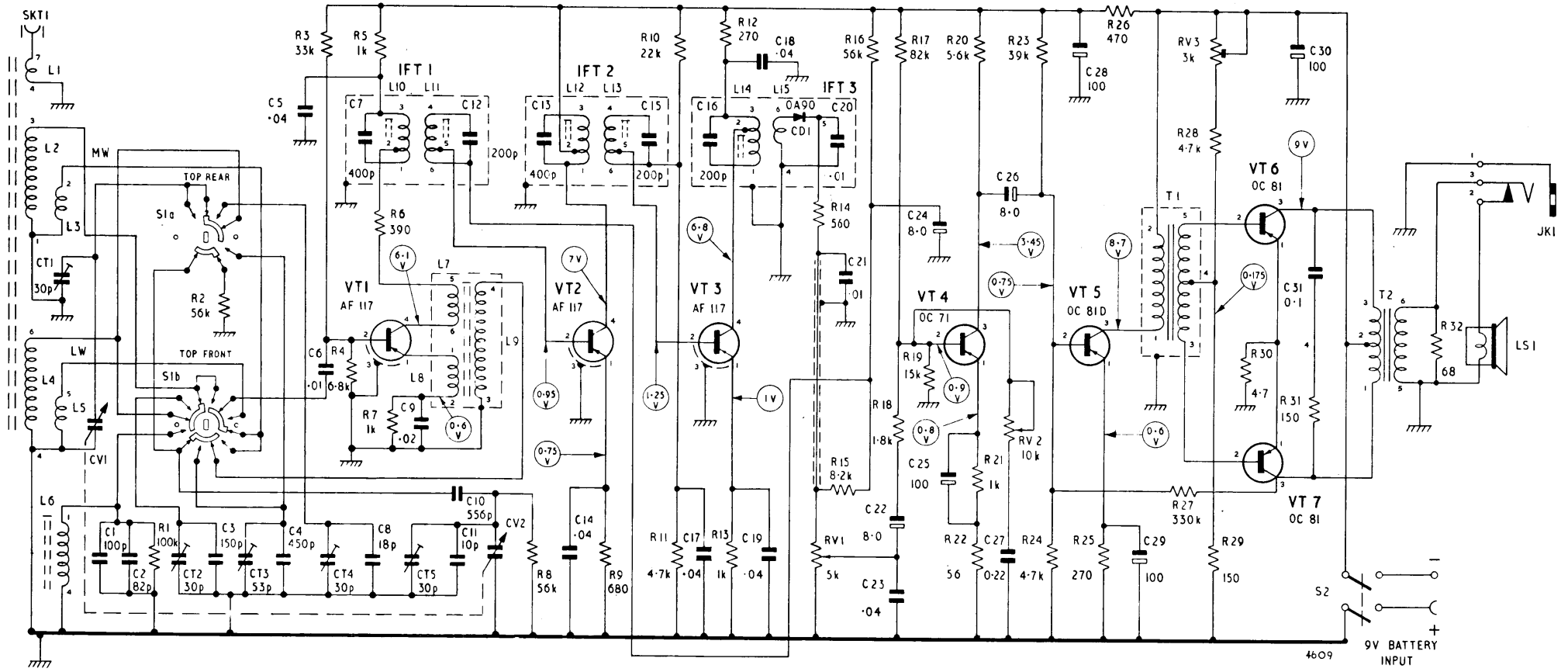
Fig. 1 Front of chassis

PARTS LIST

NOTE: Ordering to these part numbers will give the right type and rating of component. When fitting replacements from stock always use the same type as that of the component being replaced.

CAPACITORS

Reference	Value		Tolerance (± %)	Rating (volts)	Part Number
	μF	pF			
C1		100	2	200	AP40872
C2		82	10	750	AP41214
C3		150	2½	125	AP64062
C4		450	2½	125	AP64073
C5	.04		20	150	AP62895
C6	.01		20	150	AP62651
C7		400	2½	125	AP64061
C8		18	10	125	AP69864
C9	.02		20	150	AP22251
C10		556	2½	125	AP64064
C11		10	5	750	AP24629
C12		200	2½	125	AP65010
C13		400	2½	125	AP64061
C14	.04		20	150	AP62985
C15		200	2½	125	AP65010
C16		200	2½	125	AP65010
C17	.04		20	150	AP62985
C18	.04		20	150	AP62985
C19	.04		20	150	AP62985
C20	.01		+50-25	18	AP67222
C21	.01		20	150	AP62651
C22	8.0		+100-20	12	AP62173
C23	.04		20	150	AP62985
C24	8.0		+100-20	6	AP64286
C25	100		+100-20	3	AP62171
C26	8.0		+100-20	12	AP62173
C27	0.22		10	125	AP29921
C28	100		+100-20	12	AP62170
C29	100		+100-20	3	AP62171
C30	100		+100-20	12	AP62170
C31	0.1		20	200	AP67502
CV1		523			CP63342
CV2		523			CP63342
CT1		3-30			AP69866
CT2		3-30			AP69866
CT3		3-53			AP67539
CT4		3-30			AP69866
CT5		3-30			AP69866



- NOTES.**
1. All values of resistance in ohms and all values of capacitance in μF unless otherwise stated.
 2. Voltages indicated are negative with respect to chassis and measured with AVO No 8 under no signal conditions and with volume control set to zero.
 3. S1 shown in MW position viewed from front of receiver

Fig. 2 Circuit Diagram TR82L

RESISTORS

Reference	Value (ohms)	Tolerance (± %)	Rating (watts)	Part Number
R1	100k	10	1/4	AP25390
R2	56k	10	1/4	AP25372
R3	33k	10	1/4	AP25354
R4	6.8k	10	1/4	AP25306
R5	1k	10	1/4	AP25246
R6	390	10	1/4	AP25216
R7	1k	10	1/4	AP25246
R8	56k	10	1/4	AP25372
R9	680	10	1/4	AP25234
R10	22k	10	1/4	AP25342
R11	4.7k	10	1/4	AP25294
R12	270	10	1/4	AP25204
R13	1k	10	1/4	AP25246
R14	560	10	1/4	AP25228
R15	8.2k	10	1/4	AP25312
R16	56k	10	1/4	AP25372
R17	82k	10	1/4	AP25384
R18	1.8k	10	1/4	AP25264
R19	15k	10	1/4	AP25330
R20	5.6k	10	1/4	AP25300
R21	1k	10	1/4	AP25246
R22	56	10	1/4	AP25156
R23	39k	10	1/4	AP25360
R24	4.7k	10	1/4	AP25294
R25	270	10	1/4	AP25204
R26	470	10	1/4	AP25222
R27	330k	10	1/4	AP25426
R28	4.7k	10	1/4	AP25294
R29	150	10	1/4	AP25186
R30	4.7	1/2Ω	1/4	AP63262
R31	150	10	1/4	AP25186
R32	68	10	1/4	AP25162
RV1	5k	20	1	BP67915
RV2	10k	20	1	BP61950
RV3	3k	20	0.2	AP67503

COILS AND TRANSFORMERS As in TP 1536 with the following exceptions

Reference	Description	Resistance (ohms)	Part Number
L6	208 osc. shunt coil	2.4	AS70075
L7)	oscillator coil	less than 1.0	CS67535
L8)		2.0	
L9)		less than 1.0	

MISCELLANEOUS

As in TP 1536 with the following exceptions

Description	Part Number
Knob 'L.W.'	CP69943
Knob 'M.W.'	CP64909
Knob '208'	CP69942
Switch wafer	AP65438

SPARES AND SERVICE

When ordering replacement components please quote:—

- 1 Model number and serial number of the radio receiver.
- 2 Description and part number of components and the quantity required.
To avoid unnecessary delay, send orders for replacement parts and requests for technical information to:—

THE SERVICE DEPARTMENT



BUSH RADIO



A DIVISION OF THE RANK ORGANISATION

BESSEMER ROAD · WELWYN GARDEN CITY · HERTFORDSHIRE · ENGLAND
Tel: Welwyn Garden 23434 · Telex: 22174 · Grams and Cables: Rankboom Welwyn Garden City