

PHILIPS

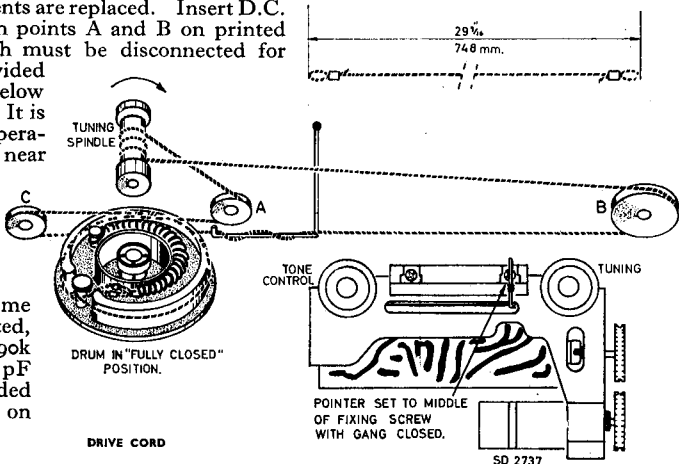
Model L3G36T

General Description: Six-transistor, two-waveband (M.W./L.W.), portable receiver for use with 9-volt battery (PP9 or equivalent), no-signal consumption 16 mA. Car aerial, earphone and tape recorder sockets. Also known as **Model 336T**. I.F. 470 kc/s.

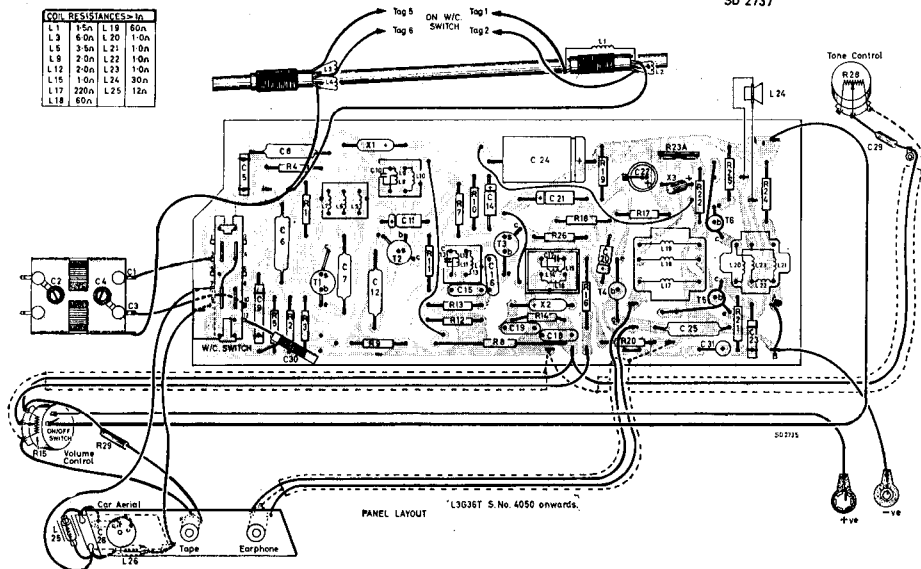
Semiconductors: (T₁, 2, 3) AF117; (T₄) OC81D; (T₅, 6) OC81. (X₁) OA79 (A.G.C. damping diode); (X₂) OA70; (X₃) AA129 (bias stabilisation, some sets only, see circuit diagram).

Adjustment of R_{23A}: This control is fitted to sets incorporating bias stabilisation diode and may require adjustment if output transistors or associated components are replaced. Insert D.C. milliammeter between points A and B on printed panel. A link, which must be disconnected for this purpose, is provided on top of panel just below output transformer. It is important that temperature check be taken near printed panel, and R_{23A} set as follows: 18°C (64.4°F) 4.5 mA.; 24°C (75°F) 5.3 mA.; 30°C (86°F) 6 mA.

Notes: On some chassis C₂₅ is omitted, R₂₁ changed from 390k to 470k, and 47,000 pF capacitor (C_{25A}) added across speaker tags on printed panel.



COD. RESISTANCES—in			
L1	15n	L19	60n
L3	60n	L20	1.0m
L5	3.3n	L21	1.0m
L8	2.0n	L22	1.0m
L12	2.0n	L23	1.0m
L15	1.0n	L24	30n
L17	220n	L25	12n
L18	60n		



PHILIPS MODEL L3G36T

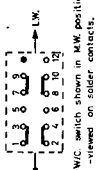
- Capacitors.**
 C7 22,000 pF.
 C8 0.1 μF.
 C9 180 pF.

- C10 91 pF.
 C11 32 μF.
 C12 47,000 pF.

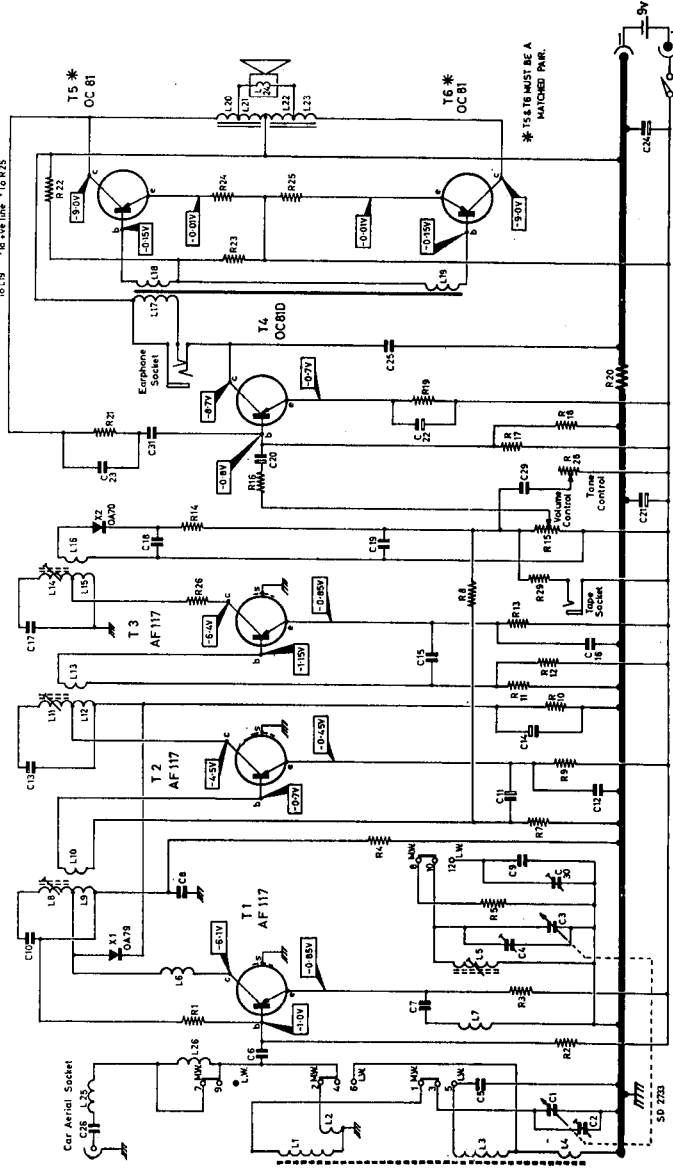
- C13 91 pF.
 C14 32 μF.
 C15 47,000 pF.
 C16 47,000 pF.
 C17 200 pF.
 C18 10,000 pF.
 C19 10,000 pF.
 C20 1.6 μF.
 C21 100 μF.
 C22 200 μF.
 C23 22 pF.
 C24 640 μF.
 C25 10,000 pF.
 C25* 39,000 pF.
 C25A* 47,000 pF.
 C26 10,000 pF.
 C29 0.1 μF.
 C30 100 pF. (max.)
 C31 2,700 pF.

- Resistors.**
 R1 33k
 R2 36.8k
 R3 1k
 R4 470
 R5 0.1M
 R6 0.1M
 R7 12k
 R8 12k
 R9 470
 R10 2.2k
 R11 22k
 R12 4.7k
 R13 680
 R14 470
 R15 5k (log.)
 R16 820
 R17 10k
 R18 56k
 R19 300
 R20 680
 R21 0.39M
 R21* 47k
 R22 2.2k
 R23 33
 R23* 43
 R23A* 200 (pre-set)
 R24 3.3
 R25 3.3
 R26 390
 R28 20k (log.)
 R29 47k

* Some sets only.



WIC switch shown in MW position, no signal input - 1/2 at maximum, battery - 3 volt on load. (see meter lead to battery positive)



CIRCUIT DIAGRAM