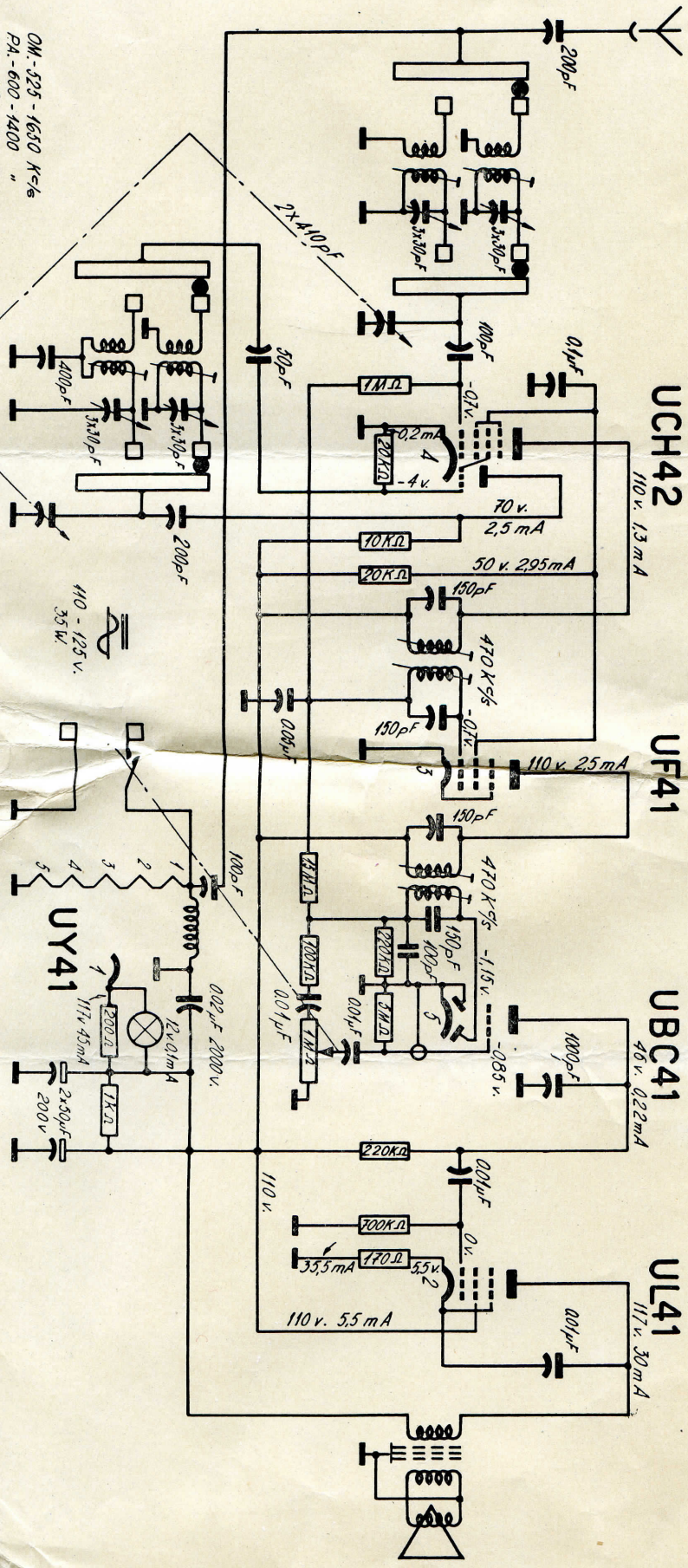


MODELO "SIAMES"



OM - 325 - 1650 K $\frac{1}{2}$
 PA - 600 - 1400 "
 OC - 38 - 182 M $\frac{1}{2}$
 PA - 6 - 15 "

Franco
 1954