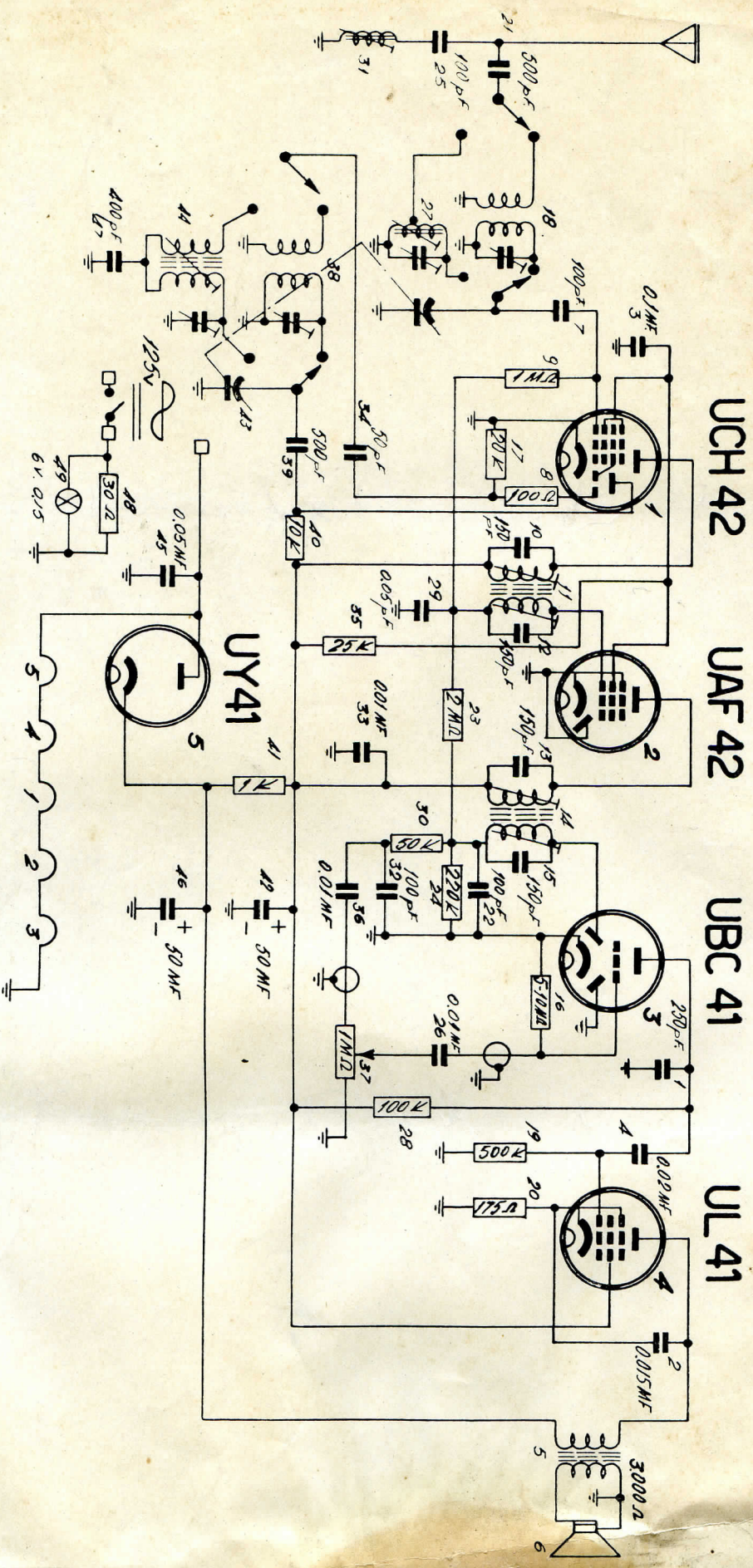




# MODELO BAZOKA-53



O.M. 540 Kes. a 1800 Kes.  
O.C. 57. Mds. a 18,5 Mcs.