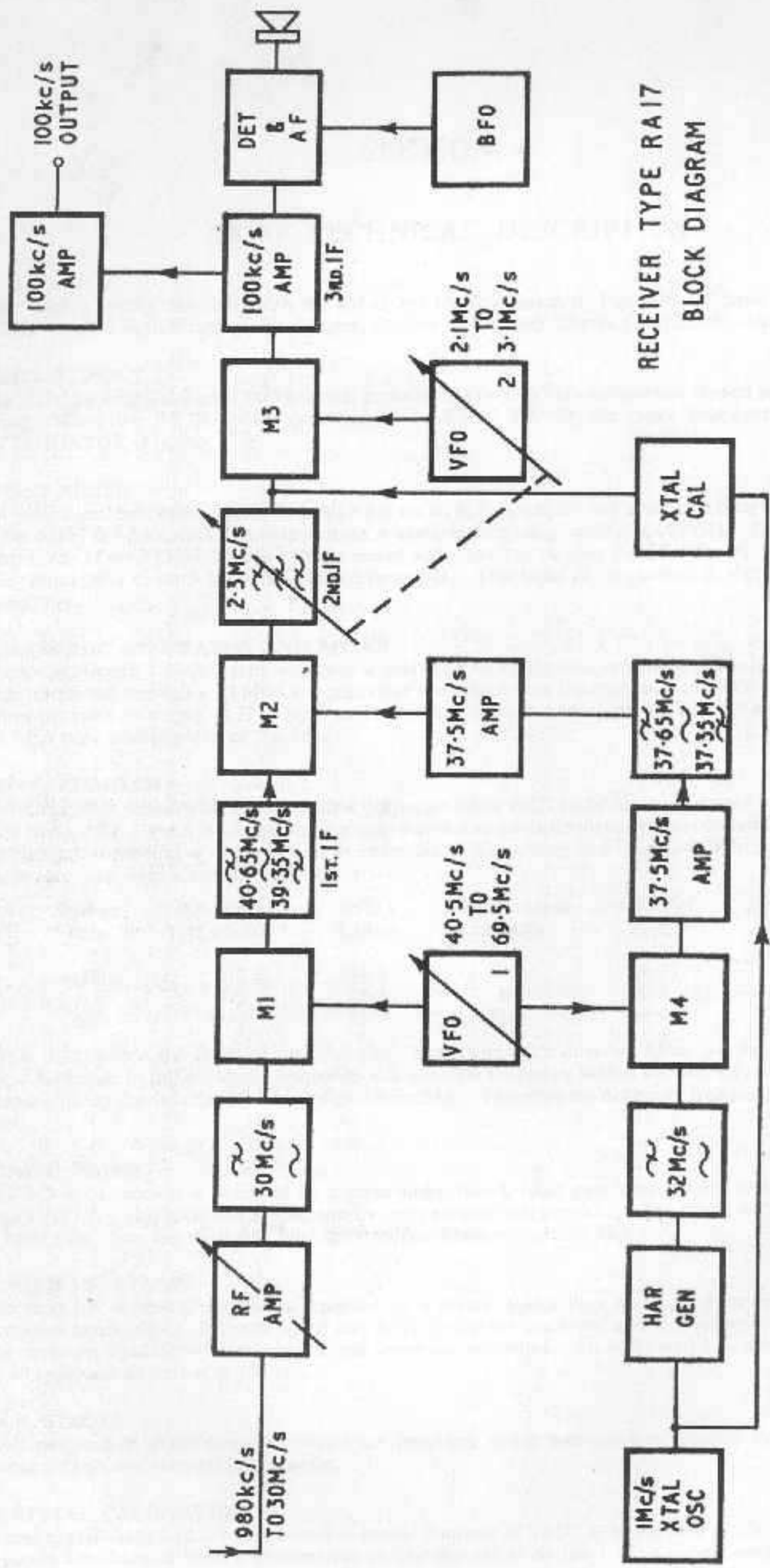


DETAILS OF THE RECEIVER



THE RACAL COMMUNICATIONS RECEIVER
TYPE R.A.17



RECEIVER TYPE RA17
BLOCK DIAGRAM

FIG. 1 BLOCK DIAGRAM OF THE RECEIVER TYPE R.A17

XL1		V1		V2		V3-4				V5-6			V7-8					
R1	R5	R10	R15	R15	C20	R145	R20	R25	R30	R35	R40	R45	R50					
C1	C5-10			C15	C20	C25	C30	C35-40	C45-50	C55	C60	C65	C70	C75	C80-85	C90	C95	C100
L1	---			L15	L20	L25	L30	---			L35	---			L40	---		
S2A	S1A		S2B		S1B	S2D	S2C	---			---			---				
PL1-SK1		PL2		PL3		TP1			---			TP2			---			

0-30 MC/S. L.P.F.

40 MC/S. B.P.F.

37.5 MC/S. B.P.F.

R.F. AMP

1st. V.F.O.

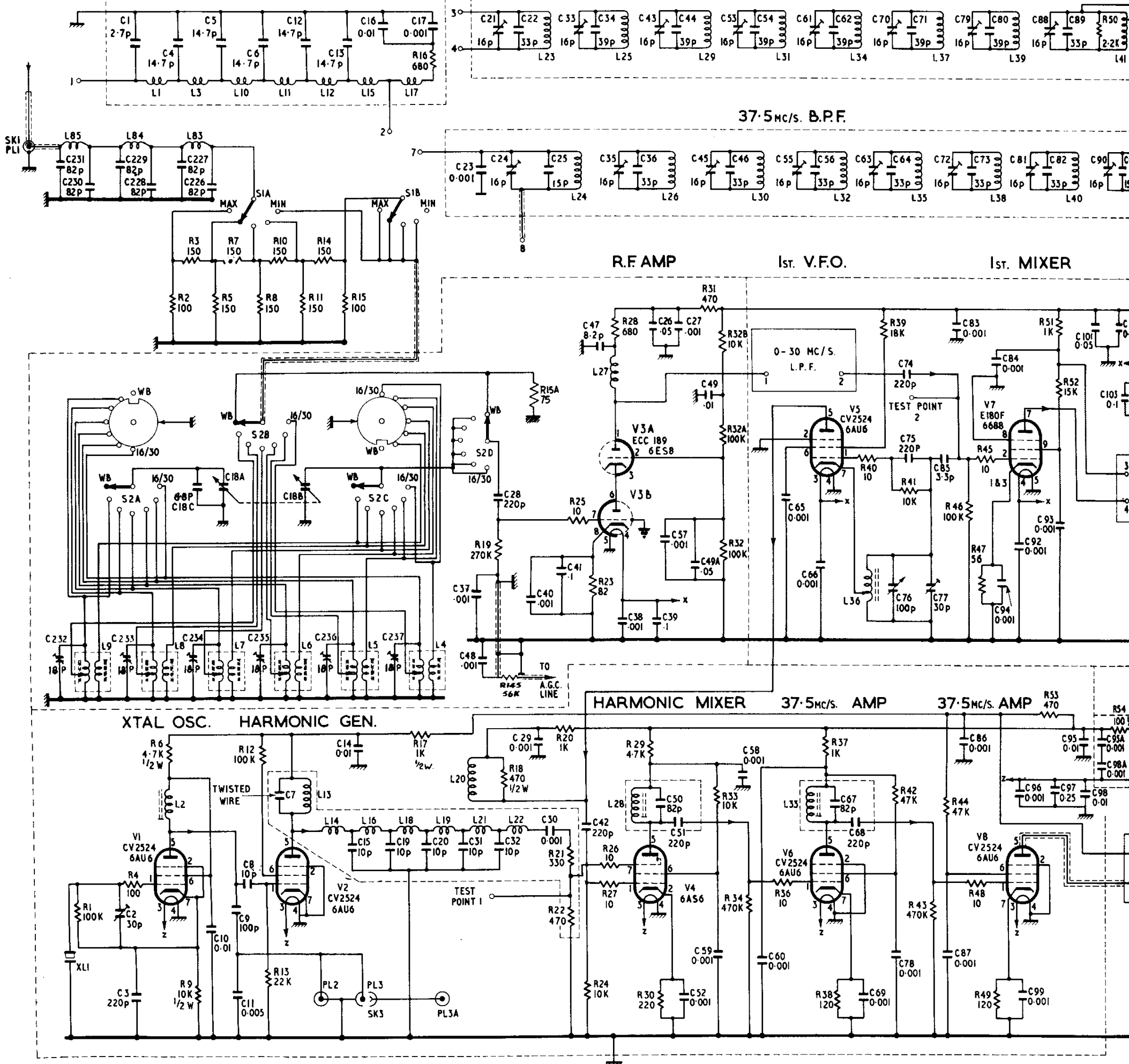
1st. MIXER

XTAL OSC. HARMONIC GEN.

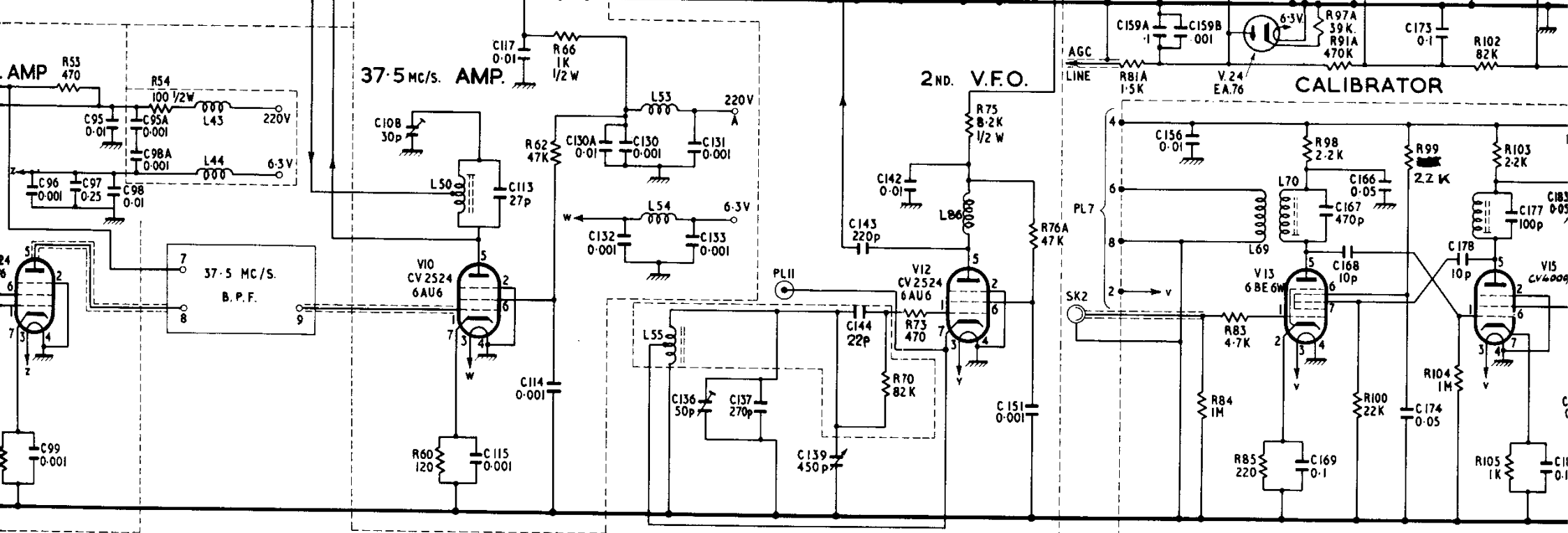
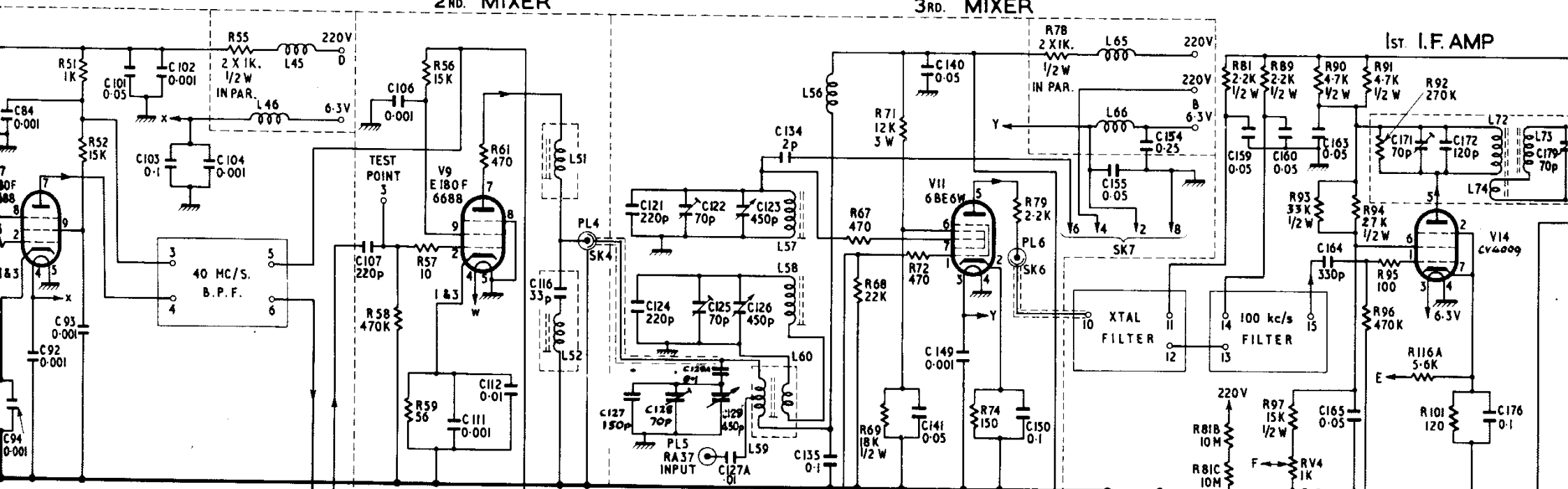
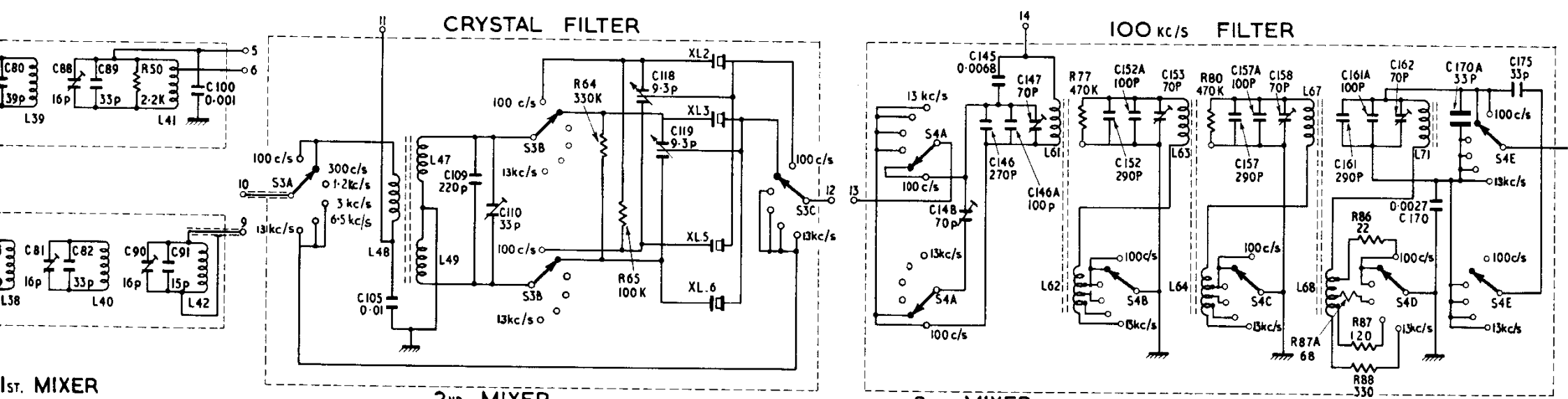
HARMONIC MIXER

37.5 MC/S. AMP

37.5 MC/S. AMP

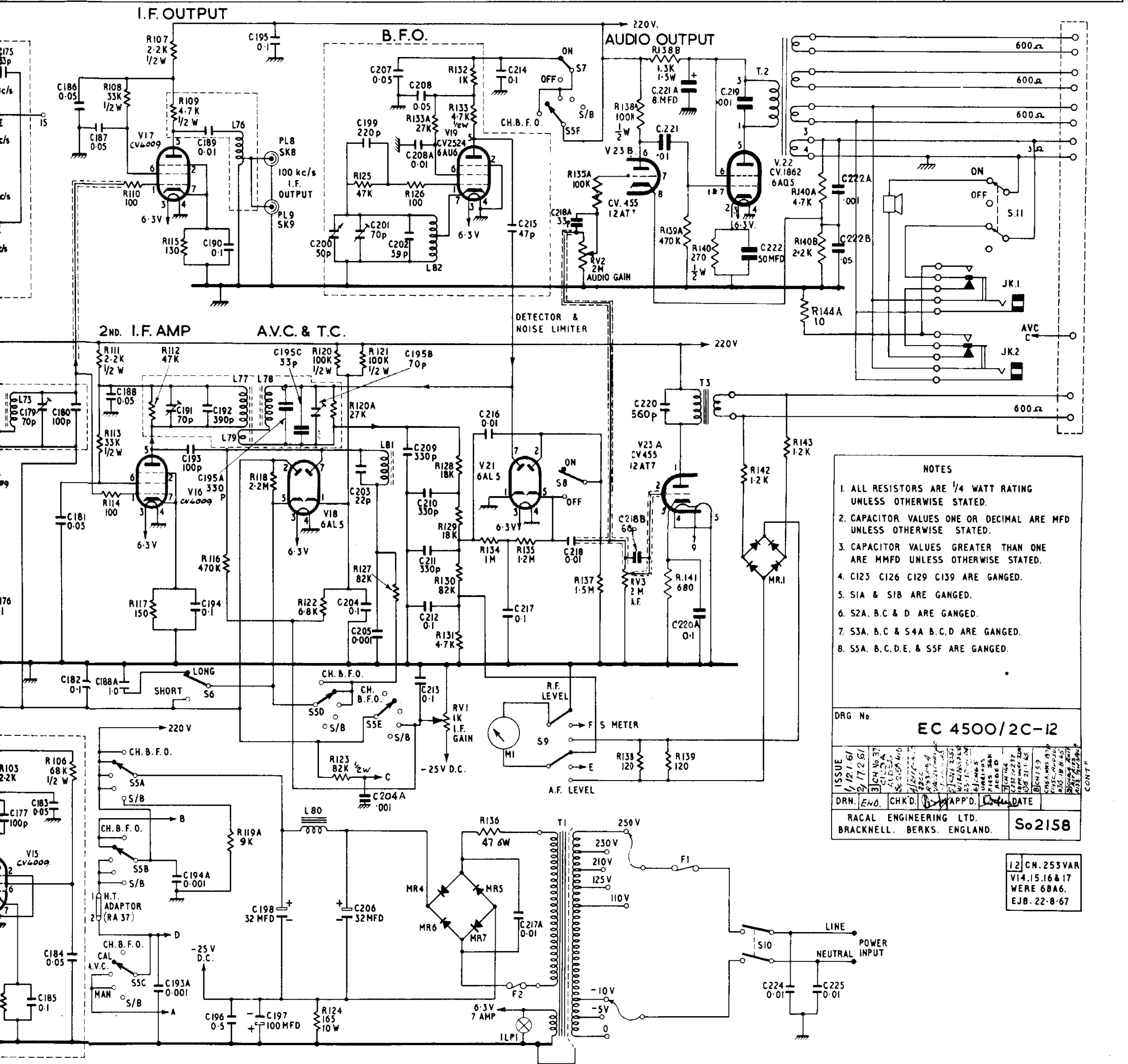


V7-8	V9-10	XL2-7	V11-12	V13	V14	V15
45	R50	R55	R60	R65	R70	R75
R80	R85	R90	R95-100	R105		
C80	C88	C89	C90	C95	C100	C105
C110-115	C120-125-130	C135	C140	C145-150	C155	C160
C165	C170	C175				
L40	L45	L50	L55	L60	L65	L70
L75						
S3A	S3B	S3C	S4A	S4B	S4C	S4D
TP3	PL4-SK4	PL5	PL11	PL6-SK6	SK2	PL7-SK7
					RV4	



RECEIVER TYPE RA17C-12

R105	V16	V17	V18	V19-21	V22-23	TUBES & CRYSTALS
C180-185	R110	R115	R120	R125	R130	R144
	C190	C195	C200	C205	C210	C225
	L80	L82	T1	T2-3		
SSA-C	S6	SSD	SSE	SSF S7 S8-9	S10	S11
PLB-9	SKB-9	RVI	RV2-3	F1	JK1-2	PL10
						MISCELLANEOUS



- NOTES**
1. ALL RESISTORS ARE 1/4 WATT RATING UNLESS OTHERWISE STATED.
 2. CAPACITOR VALUES ONE OR DECIMAL ARE MFD UNLESS OTHERWISE STATED.
 3. CAPACITOR VALUES GREATER THAN ONE ARE MMFD UNLESS OTHERWISE STATED.
 4. C123 C126 C129 C139 ARE GANGED.
 5. S1A & S1B ARE GANGED.
 6. S2A, B, C & D ARE GANGED.
 7. S3A, B, C & S4A, B, C, D ARE GANGED.
 8. S5A, B, C, D, E, & S5F ARE GANGED.

DRG No. **EC 4500/2C-12**

ISSUE	1/12/61
REVISED	12/17/61
CHK'D	APP'D.
DATE	

RACAL ENGINEERING LTD.
BRACKNELL, BERKS. ENGLAND.

So2158

12 CN. 253VAR
V14, 15, 16 & 17
WERE 68A6.
EJB. 22-8-67

CONT