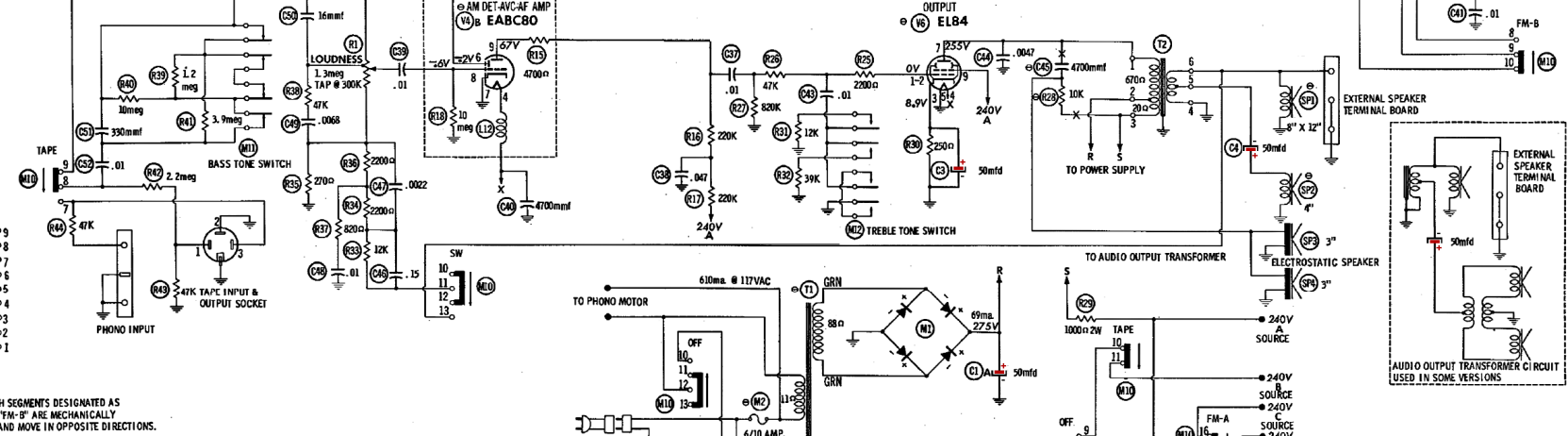
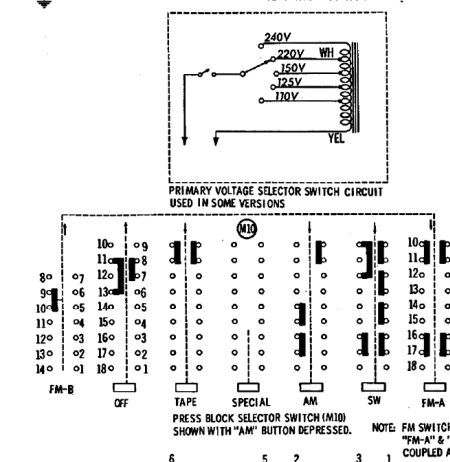
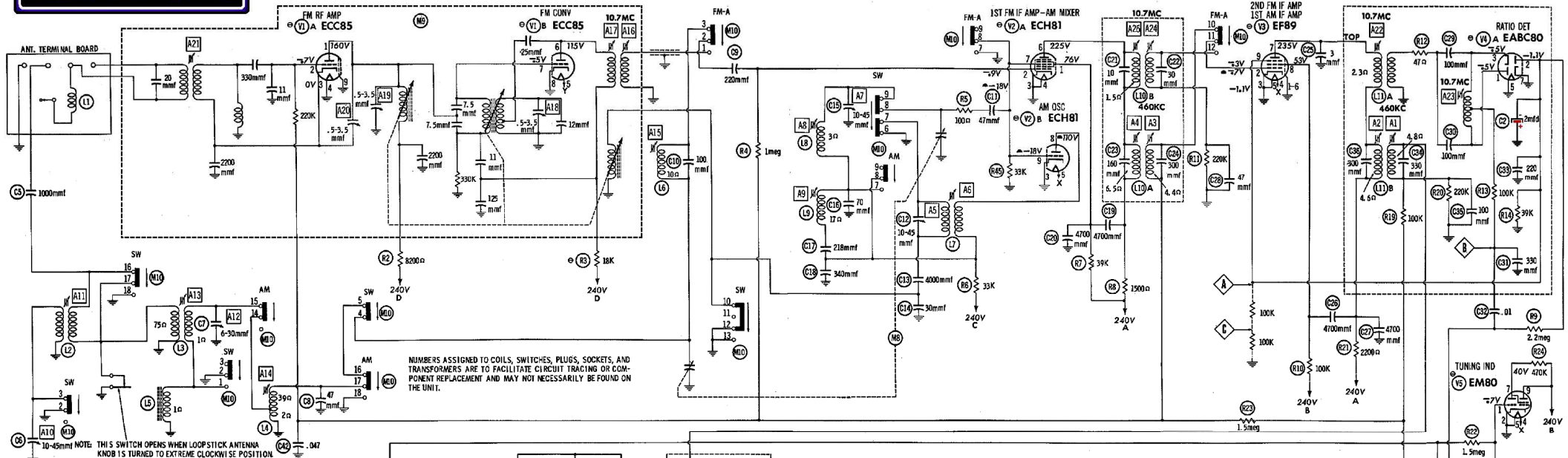


# TELEFUNKEN ADANTE



RESISTANCE READINGS

ITEM	TUBE	Pin 1	Pin 2	Pin 3	Pin 4	Pin 5	Pin 6	Pin 7	Pin 8	Pin 9
V1	ECC85	19200Ω	2meg	1Ω	0Ω	.2Ω	139K	330K	0Ω	0Ω
V2	ECH81	140K	2.8meg	0Ω	0Ω	.2Ω	12500Ω	33K	33K	33K
V3	EF89	0Ω	220K	0Ω	.2Ω	0Ω	0Ω	13200Ω	1300K	39K
V4	EABC80	1N	39K	1N	.2Ω	0Ω	220K	0Ω	10meg	1445K
V5	EM80	2.5meg	0Ω	NC	.2Ω	0Ω	NC	1470K	NC	13000Ω
V6	EL84	870K	870K	250Ω	.2Ω	0Ω	NC	1670Ω	NC	13000Ω

1. DC voltage measurements taken with vacuum tube voltmeter; AC voltages measured at 1000 ohms per volt.
2. Socket connections are shown as bottom views.
3. Measured values are from socket pin to common negative.
4. Line voltage maintained at 117 volts for voltage readings.
5. Nominal tolerance on component values makes possible a variation of ±1% in voltage and resistance readings.
6. Volume control at maximum, no signal applied for voltage measurements.
- SEE PARTS LIST FOR ALTERNATE VALUE OR APPLICATION
- DC COIL RESISTANCE VALUES UNDER ONE OHM NOT SHOWN ON SCHEMATIC DIAGRAM

ALL MEASUREMENTS TAKEN IN "FM" POSITION UNLESS OTHERWISE DESIGNATED.

MEASURED IN "AM" POSITION.

MEASURED FROM OUTPUT OF M1.

NC: NO CONNECTION